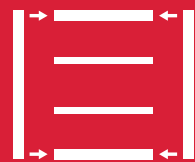




# Corner Brackets and Door Stop



CONNECTINGS



# SYMBOLS AND FINISHES LEGEND

## SYMBOLS



= SHELF SAFELY LOCKED DURING TRANSPORTATION AND AT HOME.



= ANTI-TURNOVER LOCKING SYSTEM



= NORMS / PATENTS



= PHILLIPS / POZIDRIV



= NEWTON



= PART.NO



= HEXAGONAL SOCKET



= FRICTION



= PCS. PER PACKAGE



= BLADE SLOT



= AUTOMATIC



= COMBI SLOT



= DROP DOWN



= CAPACITY LOADING



= COUNTERSUNK HEAD



= WOOD / GLASS THICKNESS



= PAN HEAD



= STANDARD HINGE



= HOLE DIAMETER



= FLANGE HEAD



= KIMANA HINGE



= DIAMETER



= FLAT HEAD



= FLAP HINGE



= LENGTH



= TRILOBULAR SCREW



= WITH SPRING



= HEIGHT



= SELF-TAPPING SCREW



= WITHOUT SPRING



= RIGHT VERSION



= EURO THREAD



= REVERSED SPRING



= LEFT VERSION



= METRIC THREAD



= SETTING CODE



= PRE-INSERTED SCREW



= FOR ROUND TUBE



= PCS. PER PAD



= PRE-INSERTED SCREW AND SPREADING BUSH



= FOR OVAL TUBE



= CUT ON REQUEST



= WITH BUFFER



= SELF ADHESIVE



= WITH MAGNET



= WITH FLANGE

NOTE: Printing errors and omissions may exist despite our best efforts to ensure accuracy. We reserve the right to alter specifications without notice.

## MATERIALS

<b>ZA</b> = Zinc Alloy	<b>ST</b> = Steel	<b>HSS</b> = High Speed Steel	<b>BR</b> = Brass	<b>ABS</b> = Acrylonitrile Butadiene Styrene
<b>ZAnk</b> = Nickel-plated Zinc Alloy	<b>STzk</b> = Zinc-plated Steel	<b>AL</b> = Aluminium	<b>WD</b> = Wood	<b>EVA</b> = Ethylene Vinyl Acetate

<b>EP</b> = <b>ENGINEERING PLASTIC</b>	+ <b>EP</b> = other engineering plastic available on request	<b>SR</b> = <b>SOFT RUBBER</b>	+ <b>SR</b> = other soft rubber available on request
--	--	--------------------------------	--

<b>EPn</b> = Natural Engineering Plastic	<b>EPc</b> = Clear Engineering Plastic	<b>SRn</b> = Natural Soft Rubber
<b>EPw</b> = White Engineering Plastic	<b>EPg</b> = Grey Engineering Plastic	<b>SRw</b> = White Soft Rubber
<b>EPwg</b> = Water Green Engineering Plastic		<b>SRb</b> = Black Soft Rubber



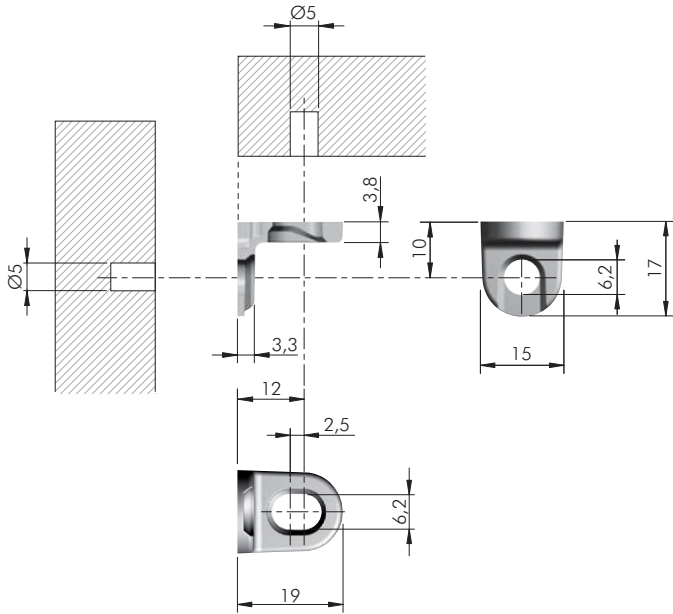
## FINISHES



+ OTHER FINISHES AVAILABLE ON REQUEST

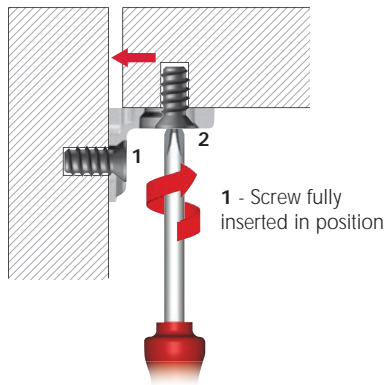
PART. NO	FINISHES	PART. NO	FINISHES	PART. NO	FINISHES
AA	Natural	IN	Grey met. 26	UT	T-Met 9007
AB	White	JB	Bright Aluminium	UZ	T-Met
AC	Opal White	JC	Aluminium - Chrome	WA	Bronzed
AE	White 9010	JD	Matt Aluminium	WI	Burnished
AK	Champagne	JE	Satin-finished Aluminium	XD	Satin-finished Steel
AL	Ivory	JF	Aluminium - Brass	YA	Nickel-plated
EA	Black	JG	Aluminium 5	YB	Bright Nickel-plated
EB	Glossy Black	JL	Aluminium PE 11	YC	Matt Nickel-plated
EC	Matt Black	JM	Aluminium RAL 9006	YD	Satin-finished Nickel-plated
EE	Anthracite	KA	Chrome	YQ	Black Nickel
EW	Grey 9007	KB	Bright Chrome	Z9	Black Zinc
FU	Gunmetal	KC	Matt Chrome	ZA	Zinc alloy
FV	Gunmetal V52	MA	Brown	ZN	Zinc-plated
GR	Raw	MB	Light Brown 1	ZQ	Bright Gold
HA	Brass-Plated	NN	Metallic Beige	ZY	Titanium
HH	Tropicalized	NO	Beige	ZZ	Clear
HL	Raw Brass	OA	Oak	00	Insignificant finish
HX	Graphite	OZ	Ash		
IA	Grey	PA	Light Ash		

## PULL-IN CORNER BRACKET

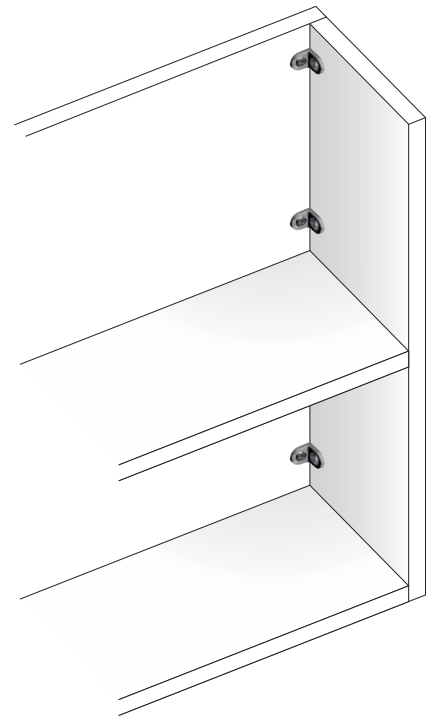
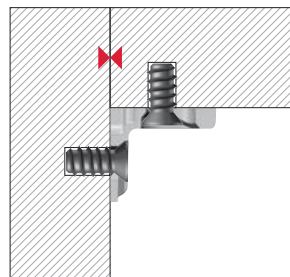


= Ø 5 mm	
ZA	= 2500 pcs.
123	
<b>10203010YA</b>	

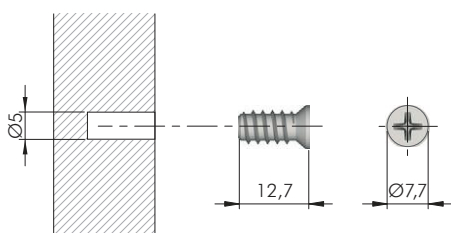
BEFORE SCREWING OPERATION 2



AFTER SCREWING OPERATIONS



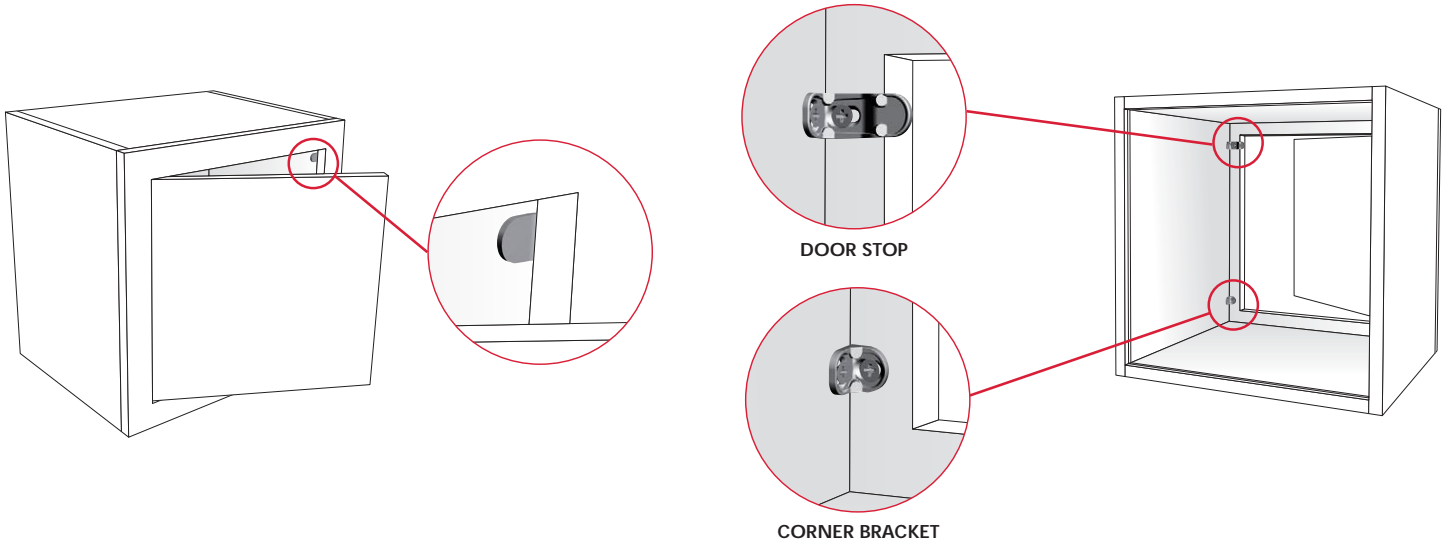
## PULL-IN CORNER BRACKET FIXING ACCESSORY



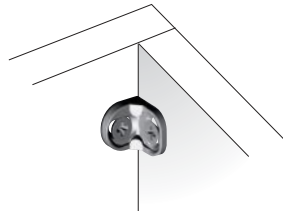
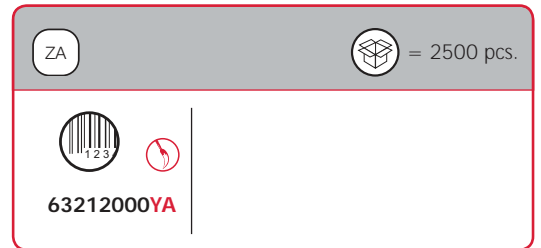
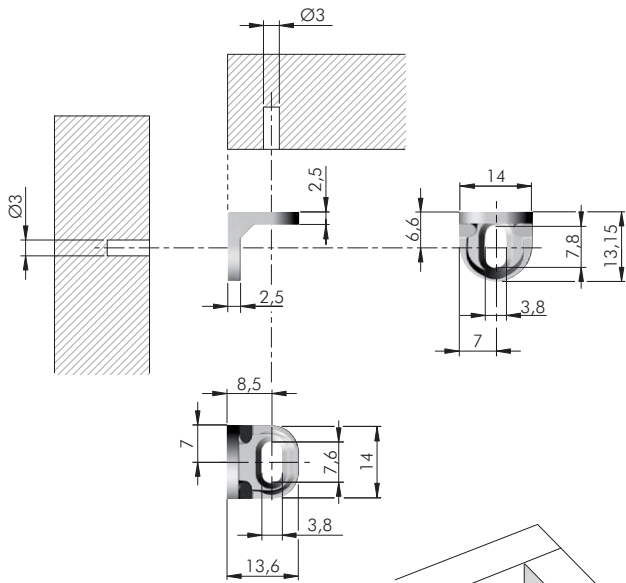
= Ø 5 mm	
= PZ2	
ST	= 5000 pcs.
123	
<b>60501050YA</b>	



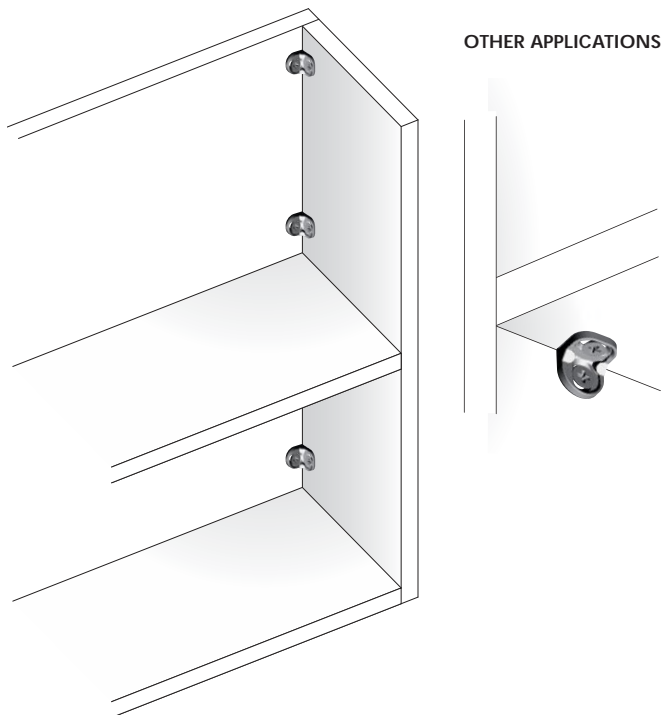
**APPLICATION FOR IN-FRAME DOOR**



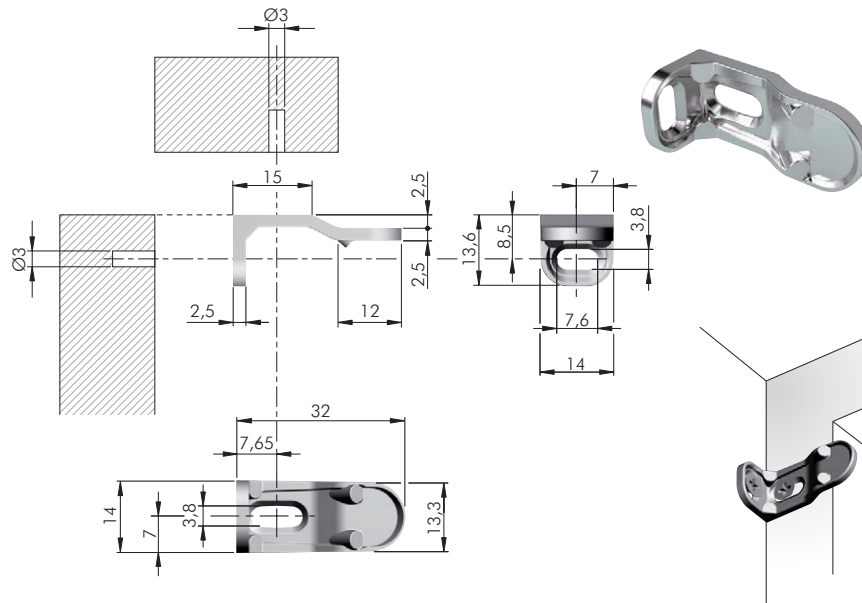
**CORNER BRACKET**



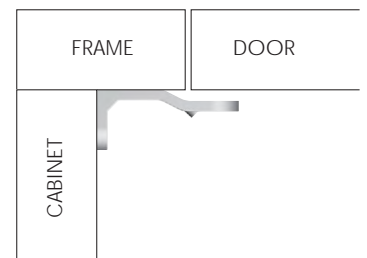
**OTHER APPLICATIONS**



## DOOR STOP



ZA	= 1000 pcs.
123	
<b>63212010YA</b>	

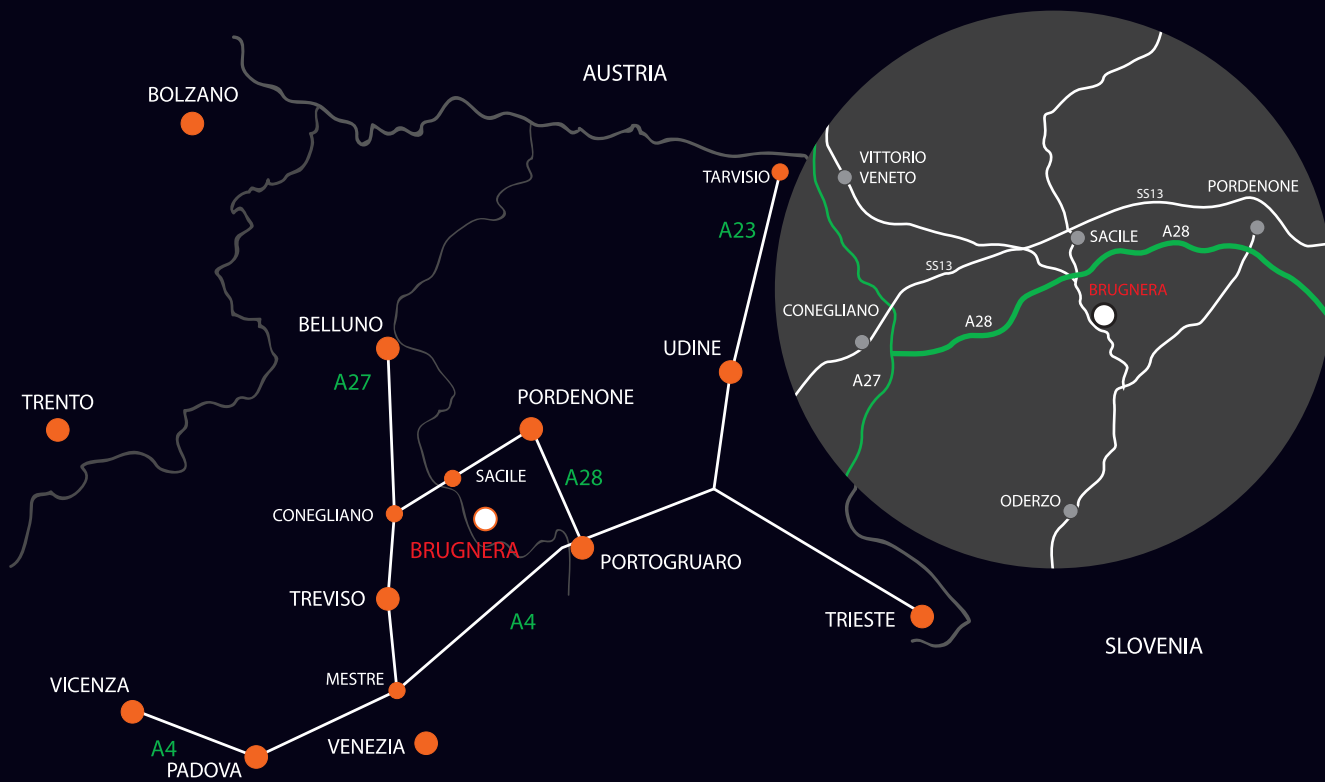


## DOOR STOP AND CORNER BRACKET FIXING ACCESSORY



= Ø 3 mm	
= PZ2	
ST	= 10.000 pcs.
123	
<b>60101390YA</b>	





[www.italianaferramenta.com](http://www.italianaferramenta.com)