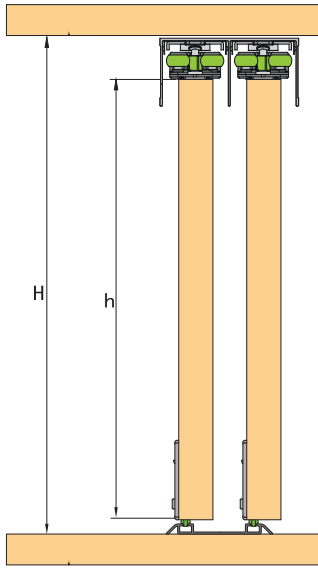


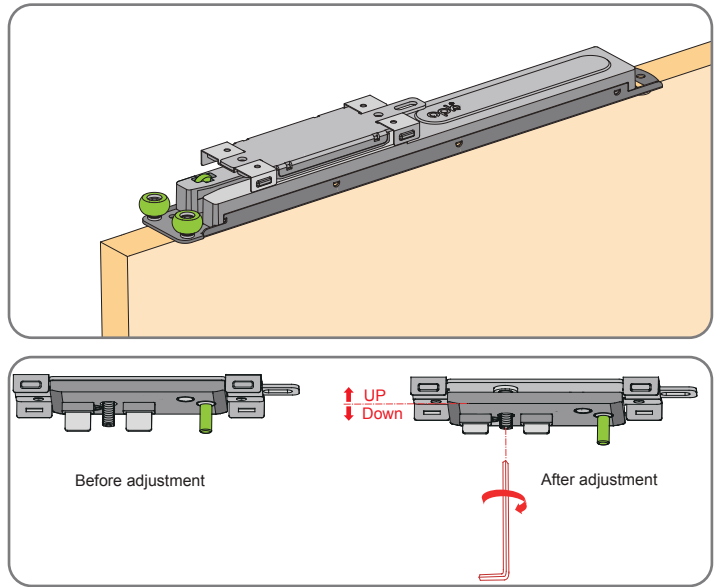
1 Cabinet requirements



$$h \text{ (Door Height)} = H \text{ (Inner Door Frame Height)} - 43\text{mm}$$

2 Product technical features

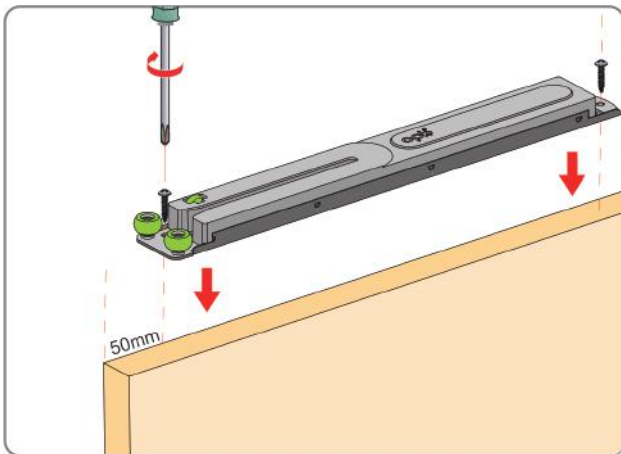
1 Door panel anti-jumping settings



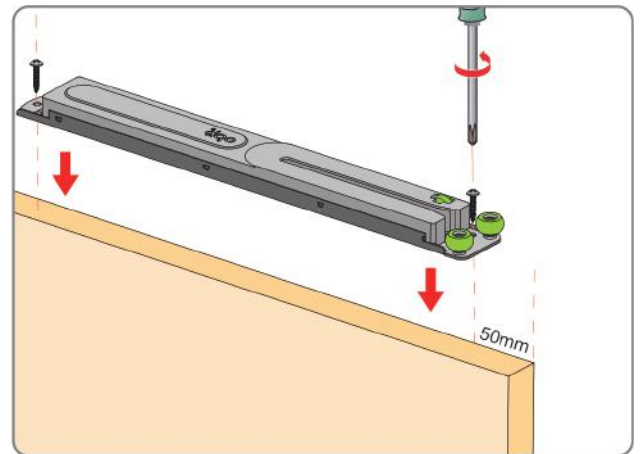
Adjust toggle member up and down by utilizing this screw

3 Installation guide

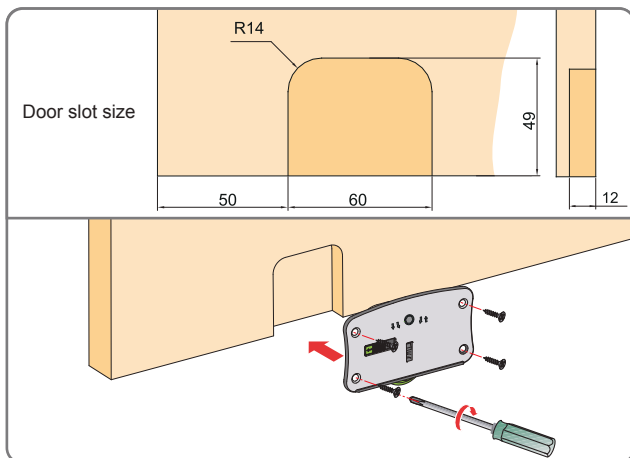
1 Install roller - RIGHT



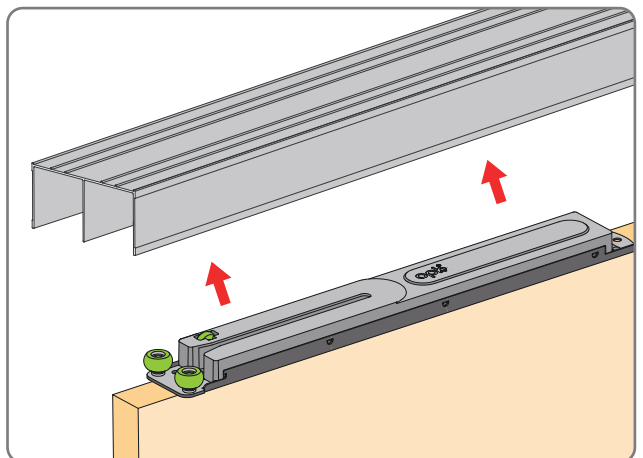
2 Install roller LEFT



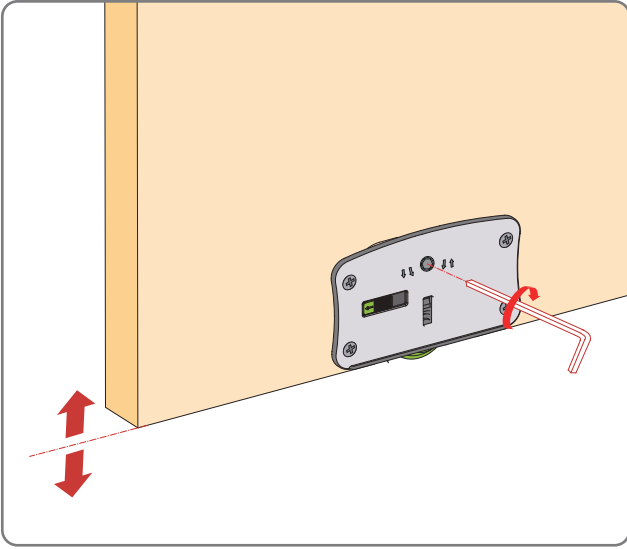
3 Install bottom roller



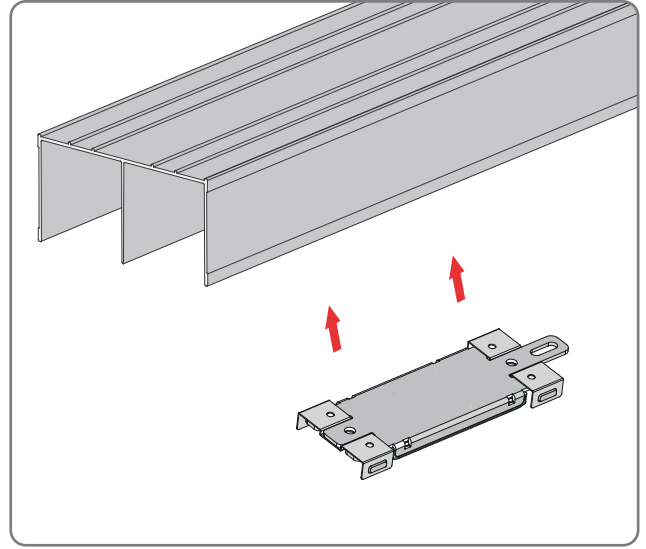
4 Install the door



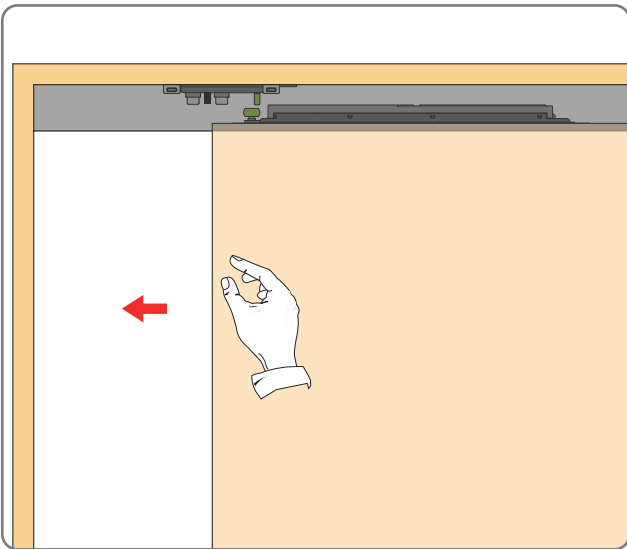
5 Adjust the door balance (adjust the bottom rollers)



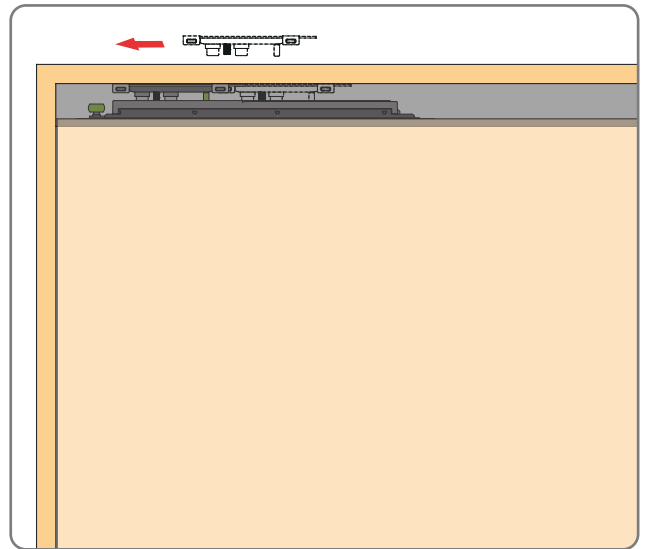
6 Anti-jumping stopper installation



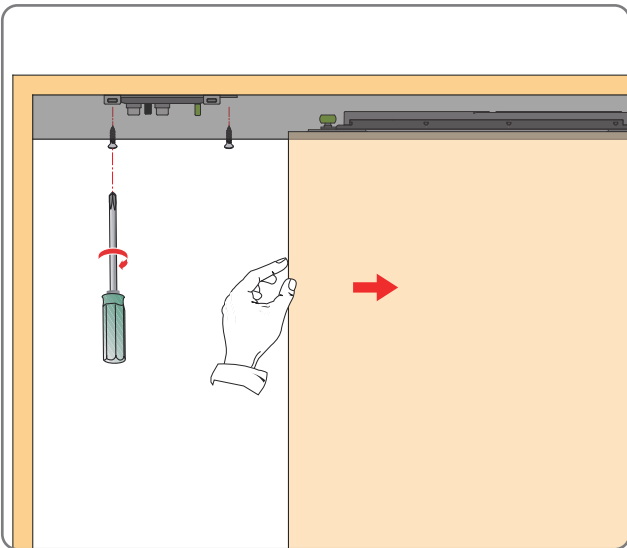
7 Positioning anti-jumping stopper
1. Push the door to the side



2. Anti-jumping stopper into place



3. Fix the anti-jumping stopper



8 Anti-jumping adjustment device

