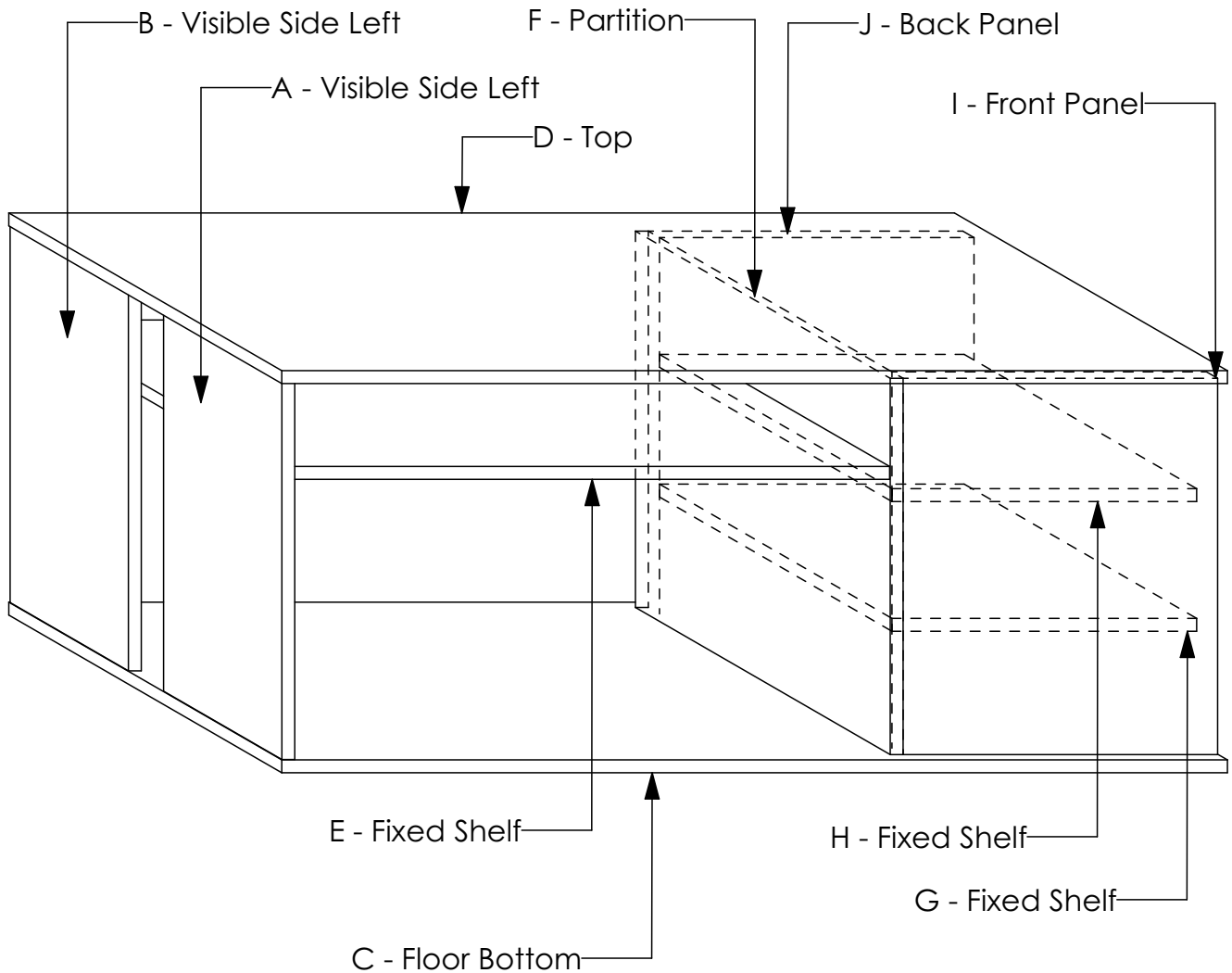


BLUM FLATPAX OFFICE FURNITURE RANGE





ASSEMBLY GUIDE

DESK RETURN 1350mm X 450mm X 575mm



TOTAL NUMBER OF PANELS: 10

HARDWARE

PRODUCT	QTY	IMAGE
Dufix	36	
Minifix	36	
Wooden Dowel	72	
Plastic Glide Brown	4	

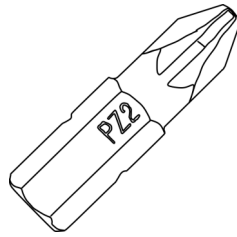
TOOLS REQUIRED



Screw Driver
(Pozi driv Head)



Cordless Drill



Pozi Bit (PZ2)



8mm Drill Bit

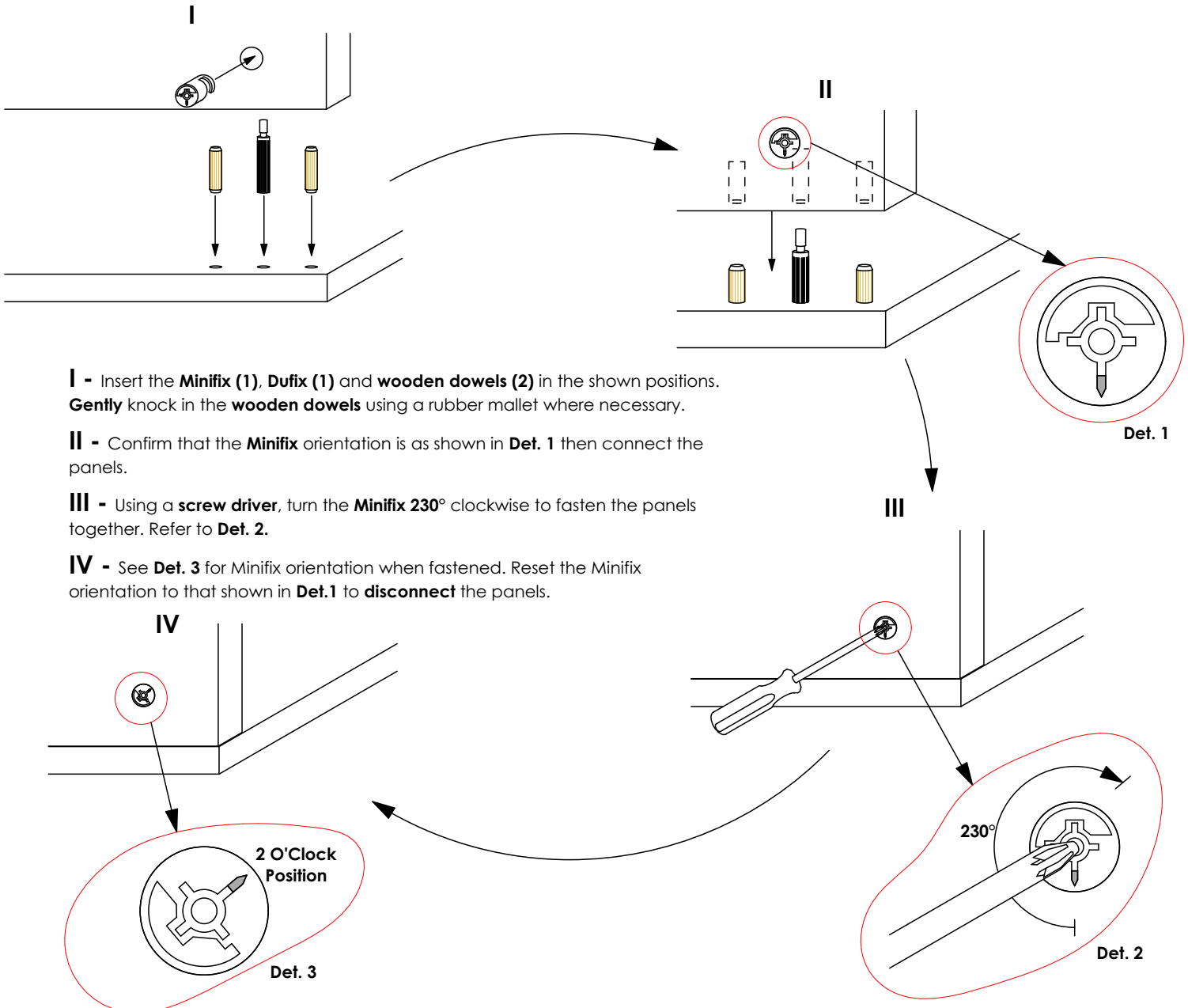


Rubber Mallet

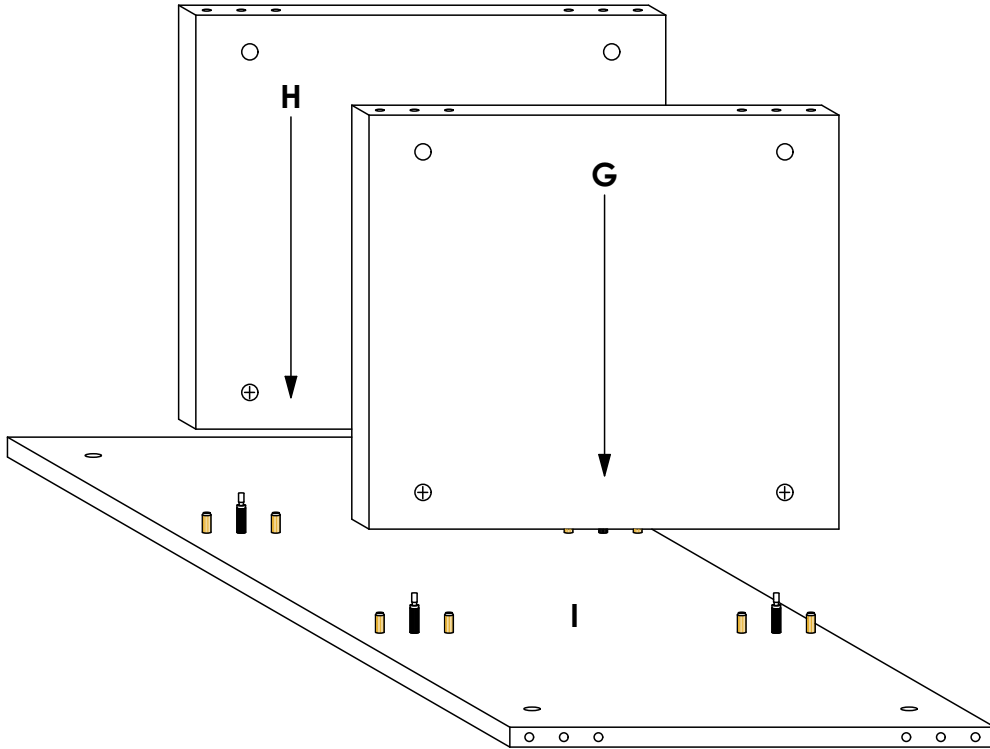
GENERAL INSTRUCTIONS

1. Confirm that all panels (10) are in the package before assembling.
2. Check the white sticker on each panel for the labelling (A, B, C, D, E, F, G, H, I & J).
3. Ensure that the panels are laid on a non-abrasive surface when assembling.
4. Note that all panel connections are done using the system described below.

PANEL CONNECTION AND FASTENING

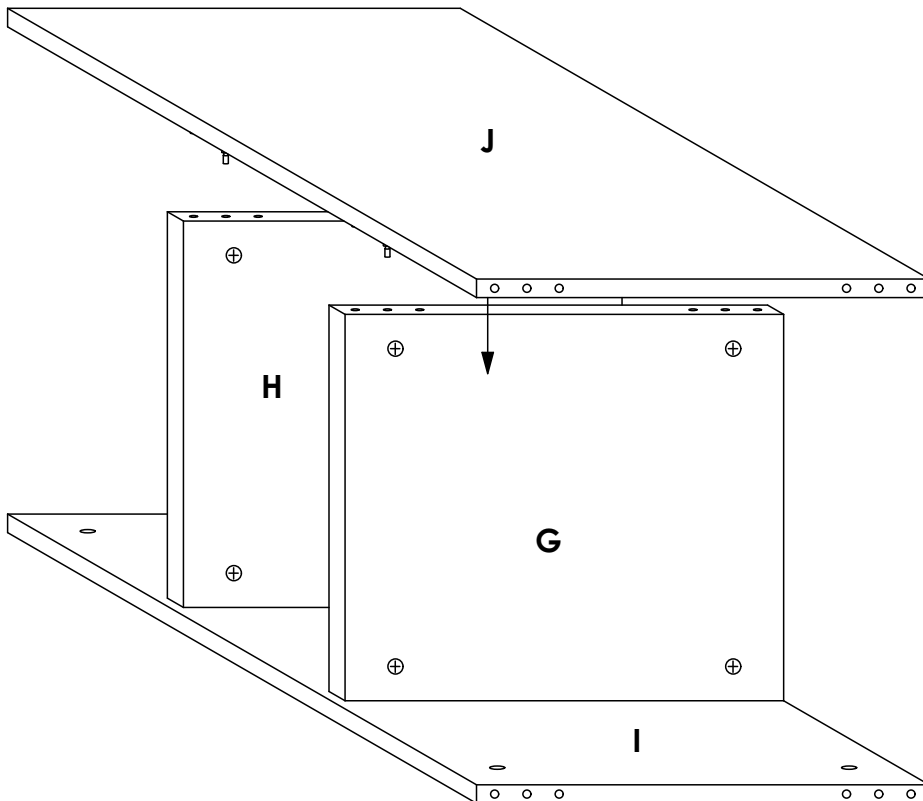


STEP 1



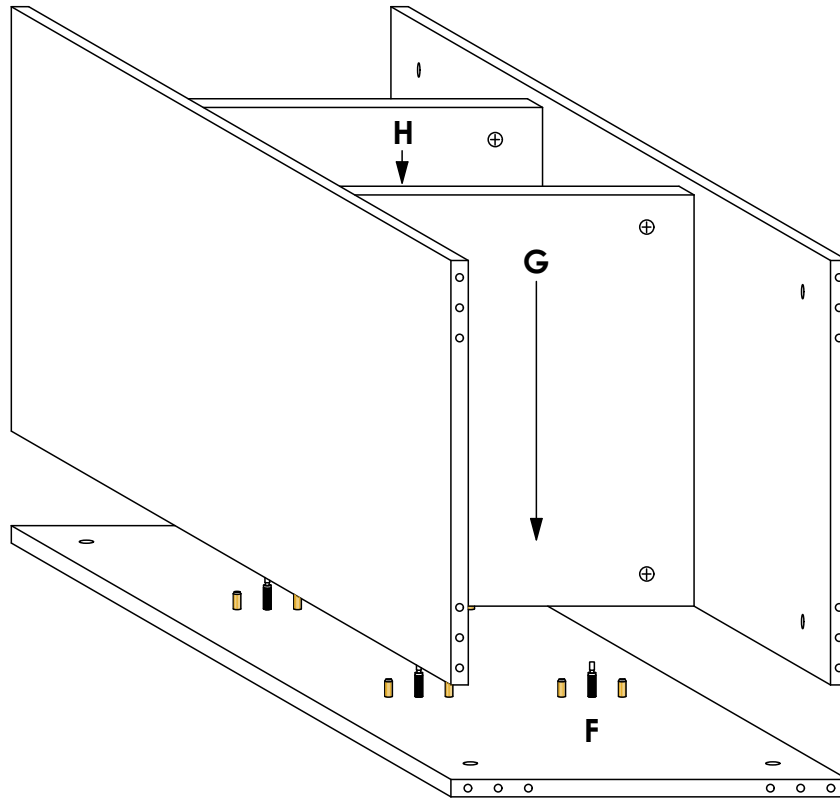
Connect panels **G & H** to panel **I** as shown. Refer to the holes on the diagram to determine the panel orientation.

STEP 2



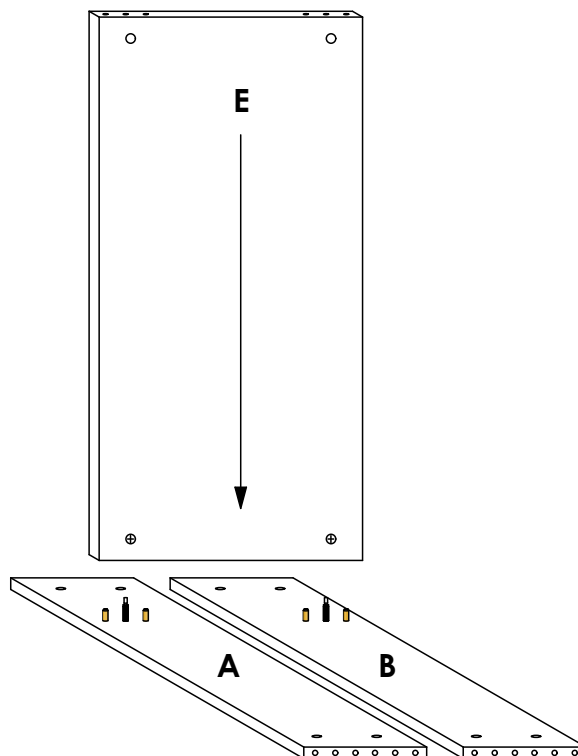
Connect panel **J** to panels **G & H** as shown. Refer to the holes on the diagram to determine the panel orientation.

STEP 3



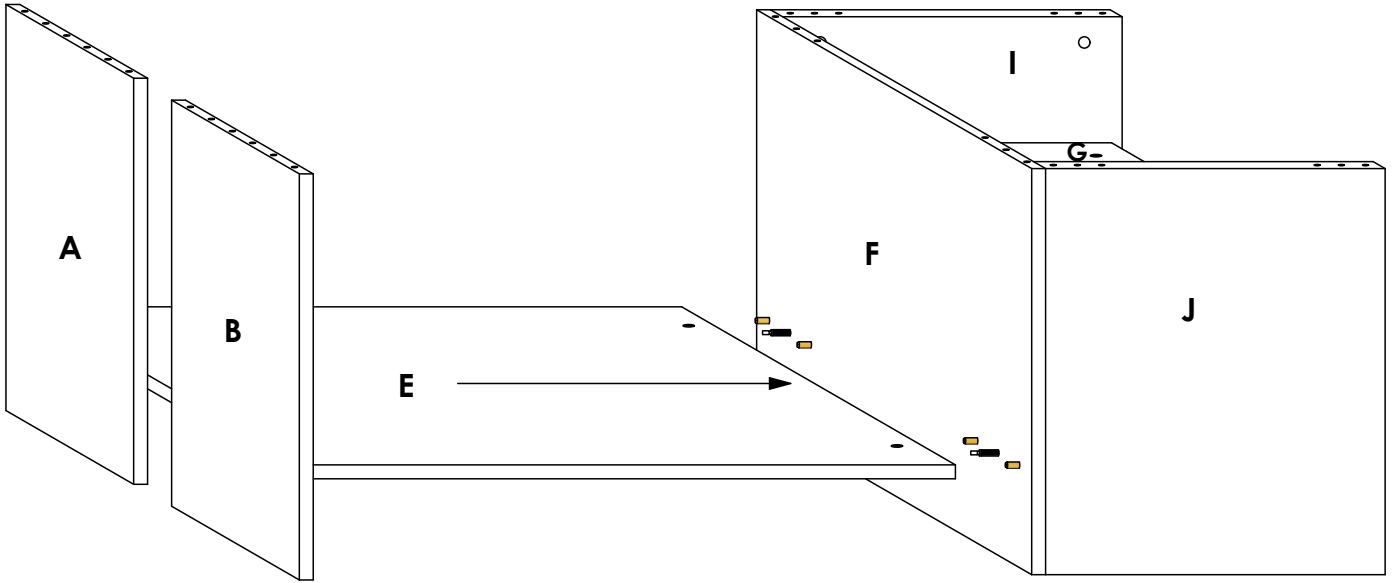
Connect panels **G & H** to panel **F** as shown. Refer to the holes on the diagram to determine the panel orientation.

STEP 4



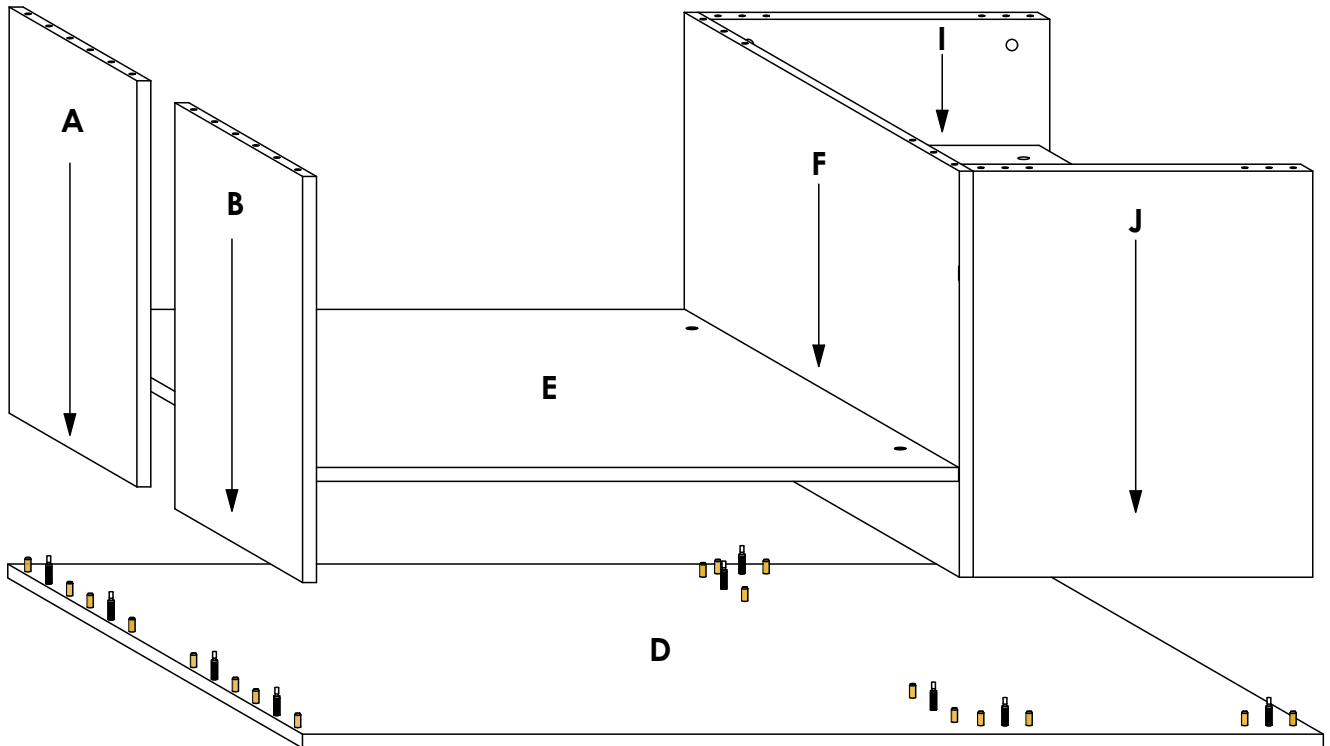
Connect panel **E** to panels **A & B** as shown. Refer to the holes on the diagram to determine the panel orientation.

STEP 5



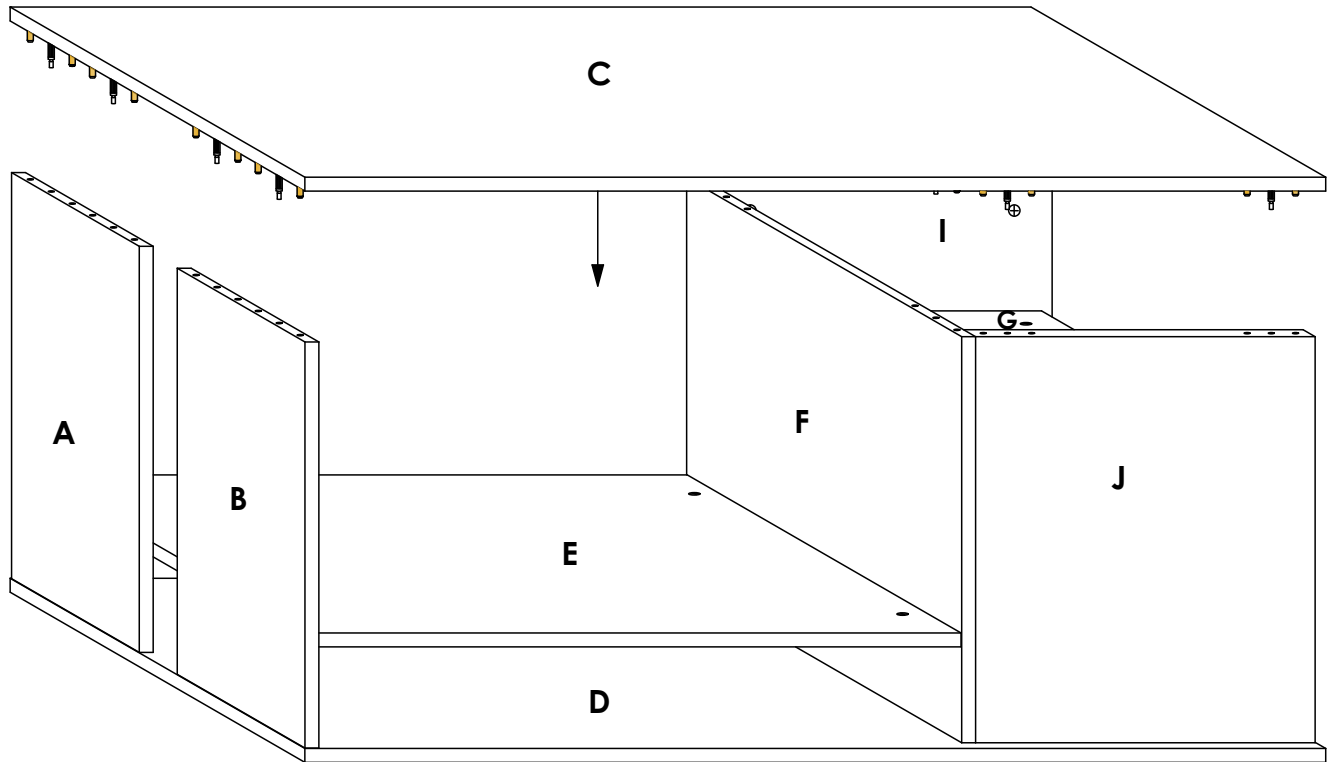
Connect panel **E** to panel **F** as shown. Refer to the holes on the diagram to determine the panel orientation.

STEP 6



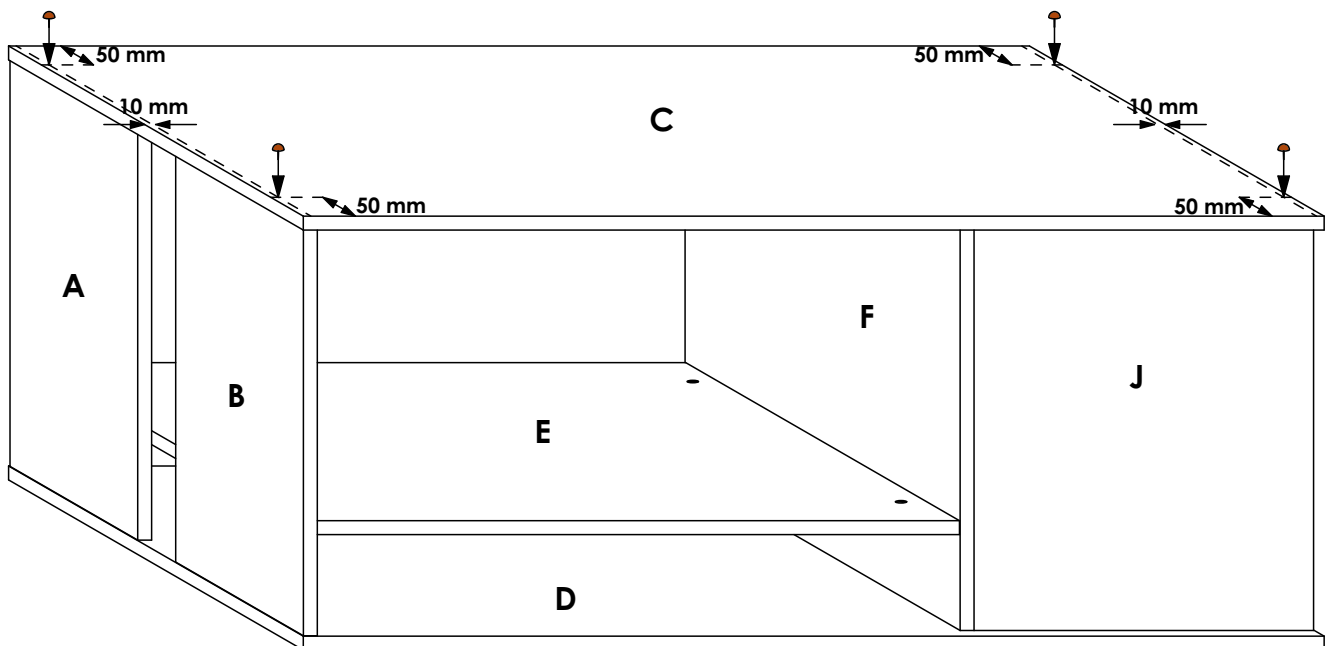
Connect panels **A, B, F, I & J** to panel **D** as shown. Refer to the holes the diagram to determine the panel orientation.

STEP 7



Connect panel **C** to panel **A, B, F, I & J** as shown. Refer to the holes on the diagram to determine the panel orientation.

STEP 8



Using a **rubber mallet**, knock in the **Plastic Glides** in the shown positions on panel **C**. Refer to the indicated dimensions for positioning. Flip the Desk Return upright to finish.