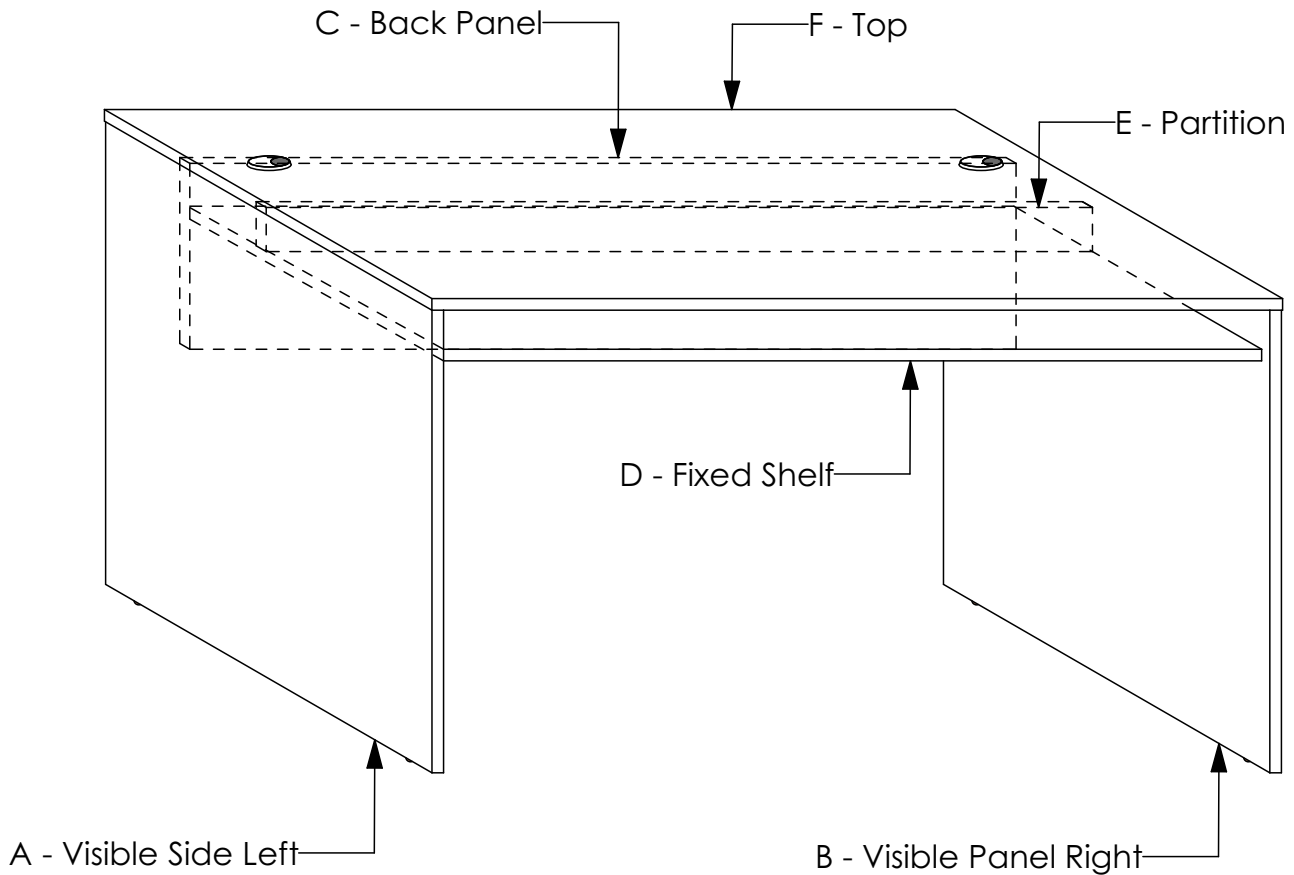


BLUM FLATPAX OFFICE FURNITURE RANGE



ASSEMBLY GUIDE

DESK 1350mm X 600mm X 760mm



TOTAL NUMBER OF PANELS: 6

HARDWARE

PRODUCT	QTY	IMAGE
Dufix	21	
Minifix	21	
Wooden Dowel	42	
Plastic Glide Brown	4	
Cable Management Black	2	

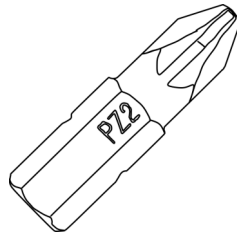
TOOLS REQUIRED



Screw Driver
(Pozi Drive Head)



Cordless Drill



Pozi Bit (PZ2)



8mm Drill Bit

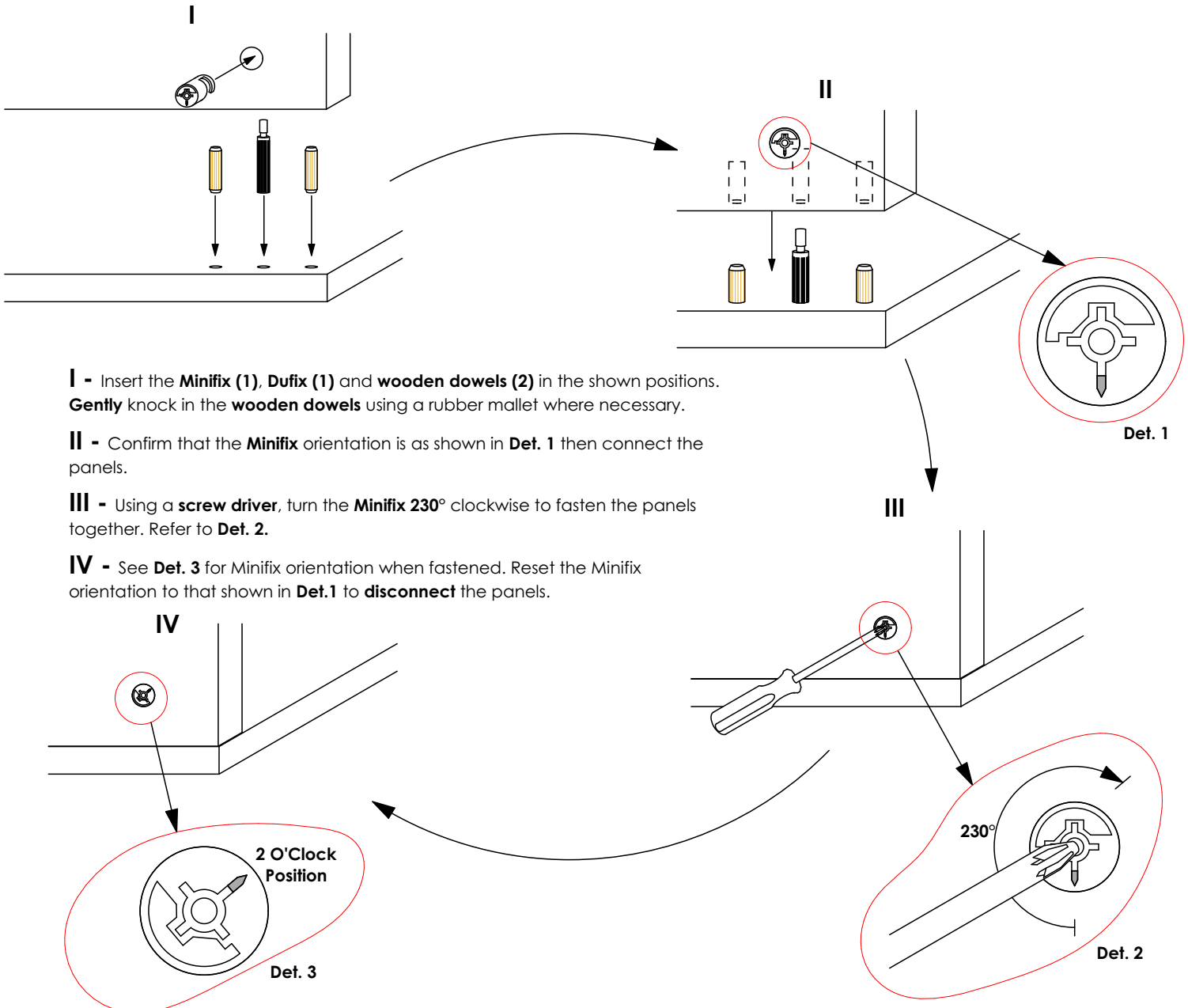


Rubber Mallet

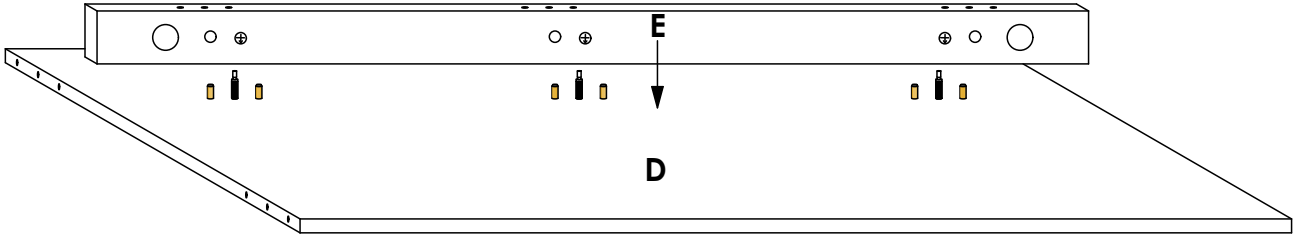
GENERAL INSTRUCTIONS

1. Confirm that all panels (6) are in the package before assembling.
2. Check the white sticker on each panel for the labelling (A, B, C, D, E & F).
3. Ensure that the panels are laid on a non-abrasive surface when assembling.
4. Note that all panel connections are done using the system described below.

PANEL CONNECTION AND FASTENING

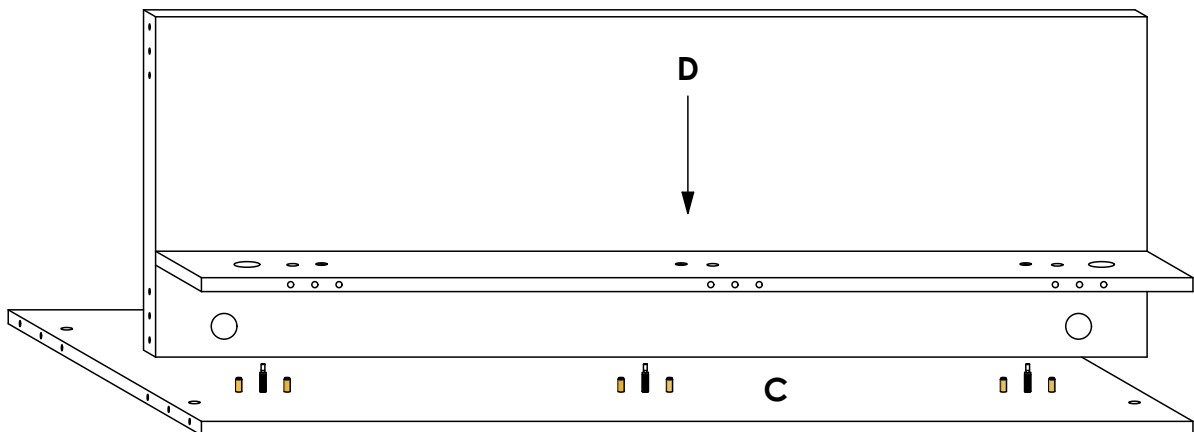


STEP 1



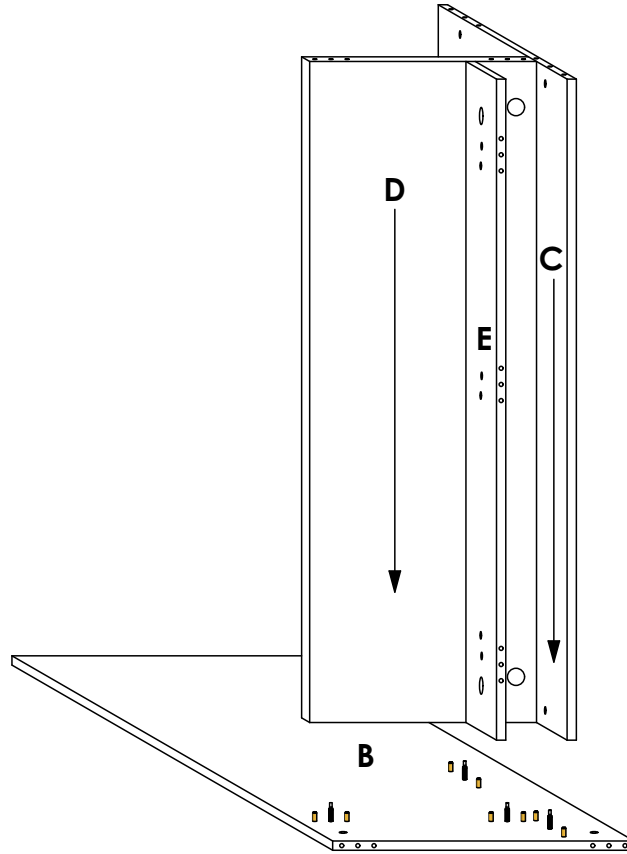
Connect panel **E** to panel **D** as shown. Refer to the holes and/or grooves on the diagram to determine the panel orientation.

STEP 2



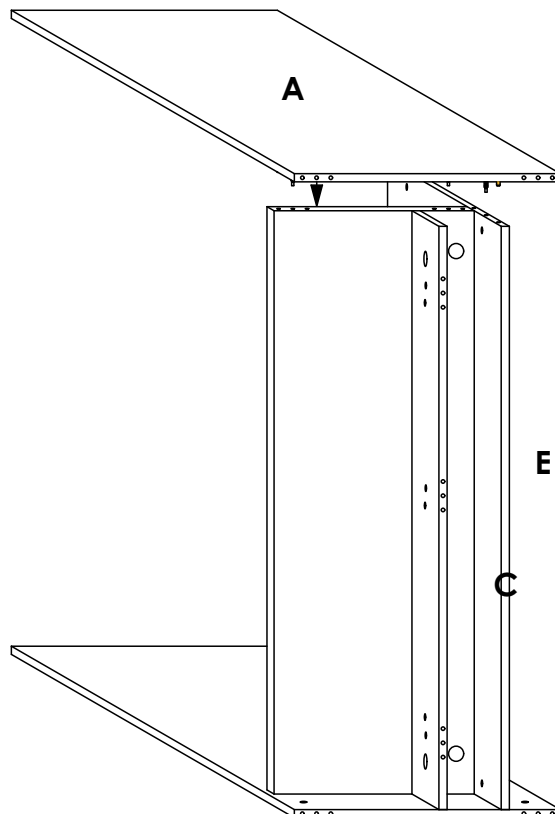
Connect panel **D** to panel **C** as shown. Refer to the holes and/or grooves on the diagram to determine the panel orientation.

STEP 3



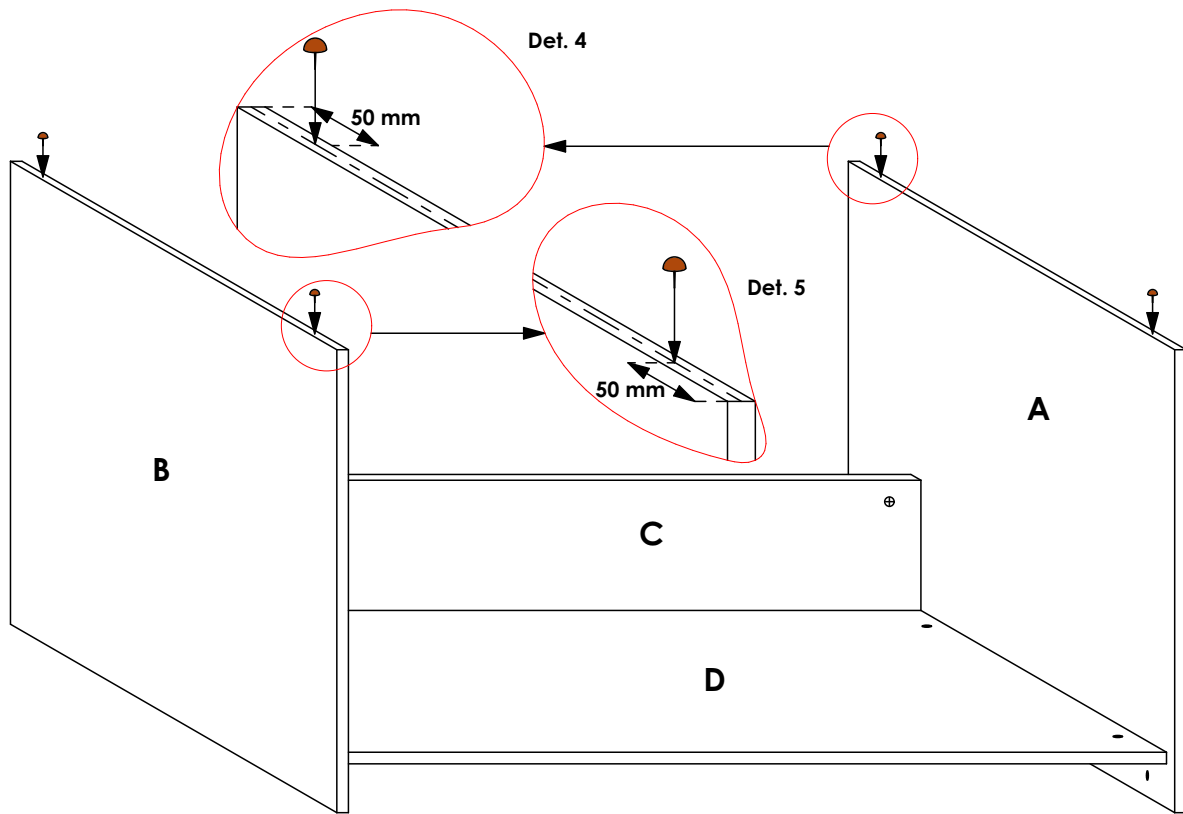
Connect panels **C & D** to panel **B** as shown. Refer to the holes and/or grooves on the diagram to determine the panel orientation.

STEP 4



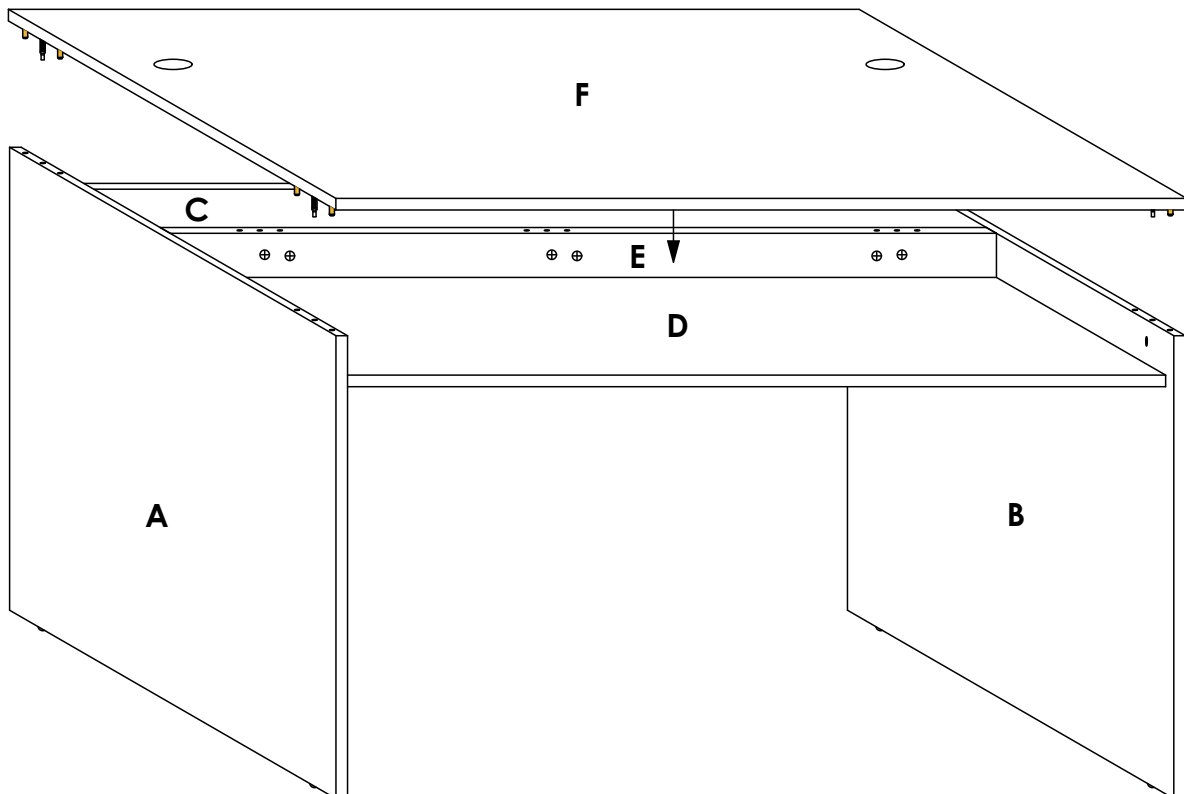
Connect panel **A** to panels **C & D** as shown. Refer to the holes and/or grooves on the diagram to determine the panel orientation.

STEP 5



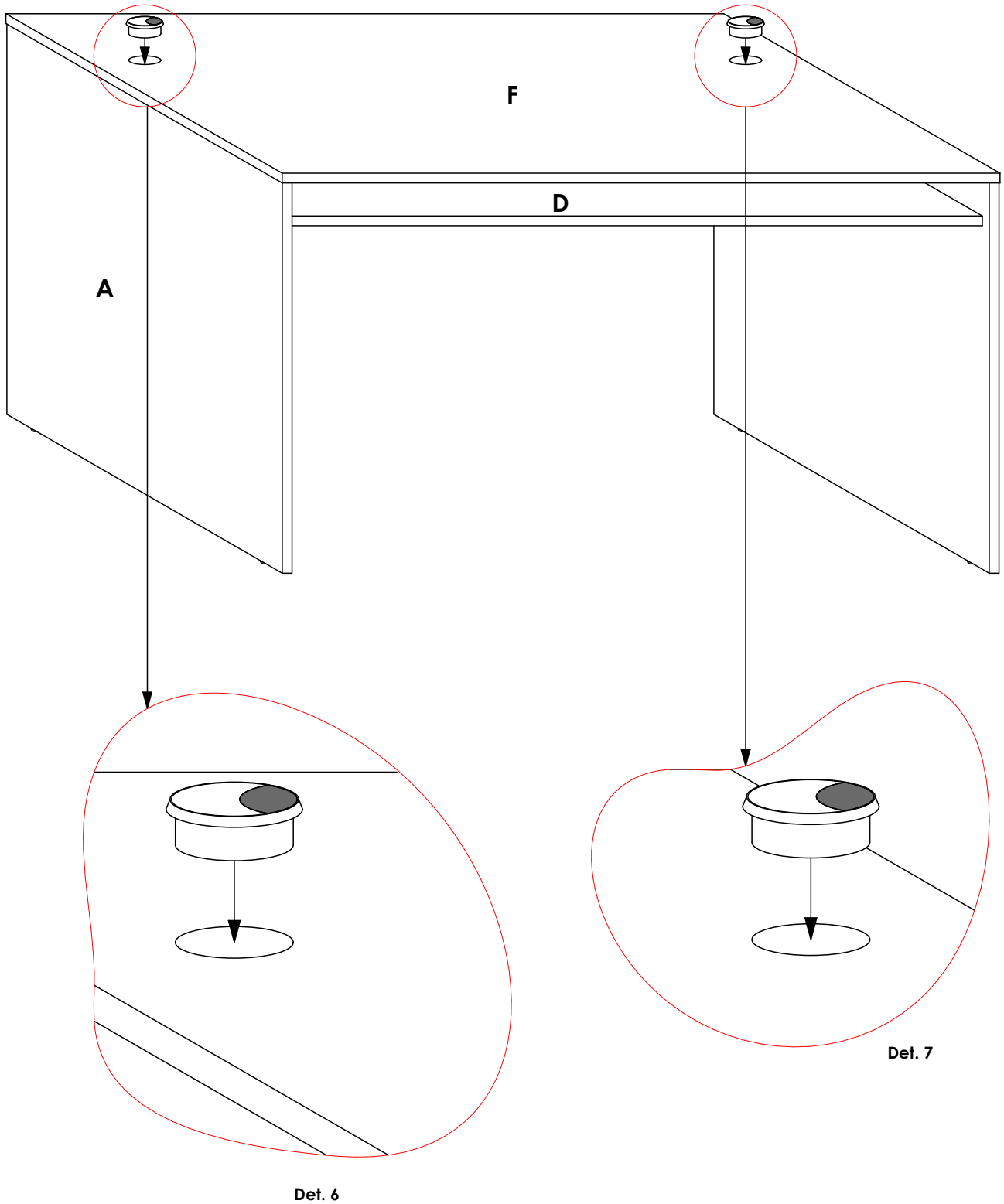
Flip the base up-side-down and using a **rubber mallet**, knock in the **Plastic Glides** in the shown positions on panels **A & B**. Refer to **Det. 4** and **Det. 5**.

STEP 6



Connect panel **F** to panel **A, B & E** as shown. Refer to the holes on the diagram to determine the panel orientation.

STEP 7



Insert the **Cable Management** in the shown positions on panel **F**. Refer to **Det. 4** and **Det. 5**. If too tight, **gently** knock them in using a rubber mallet.