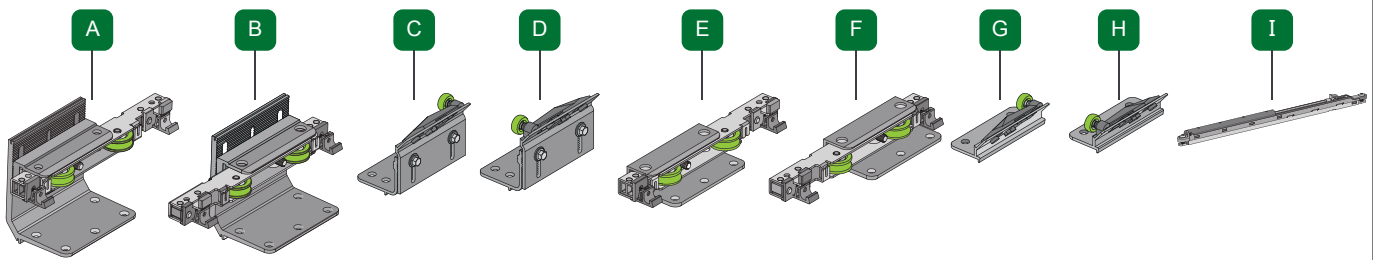
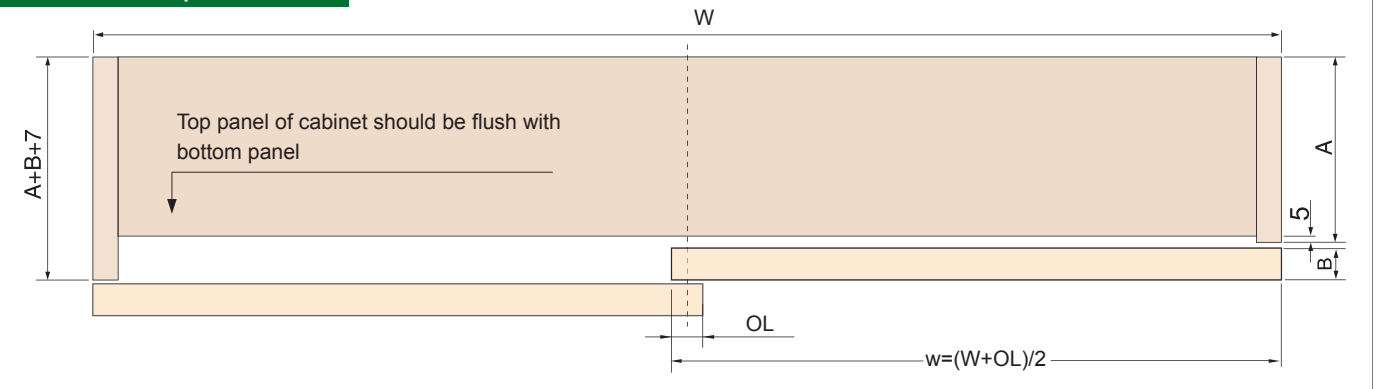


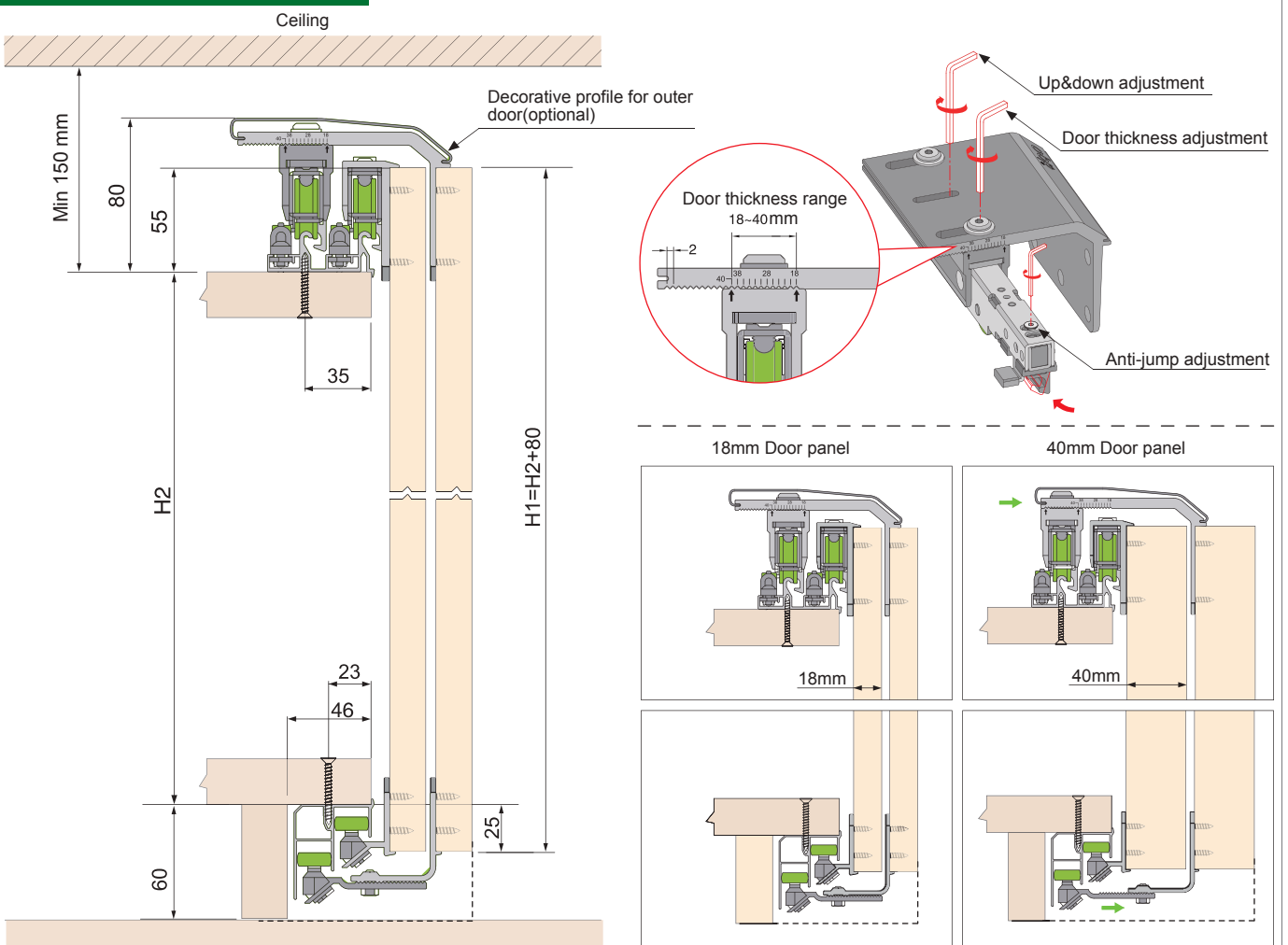
Accessories



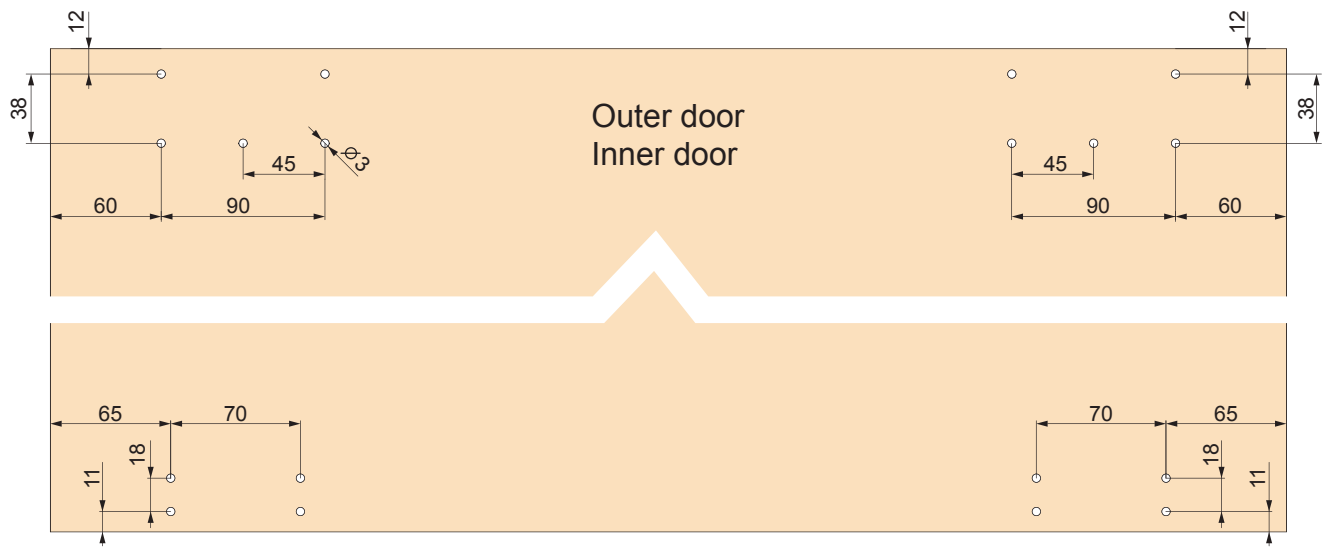
Cabinet requirements



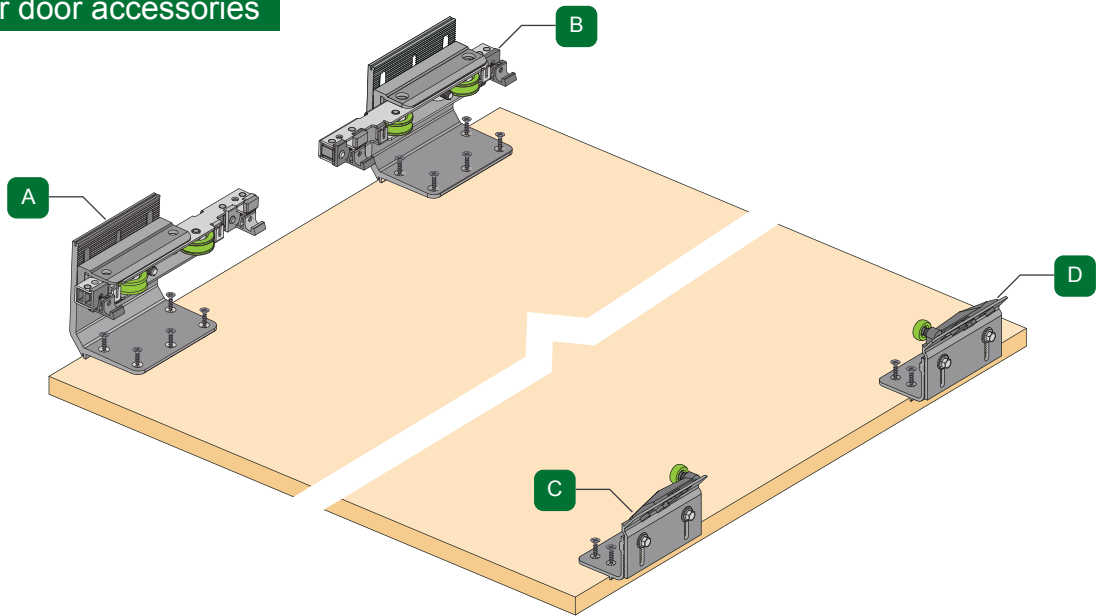
Installation requirements



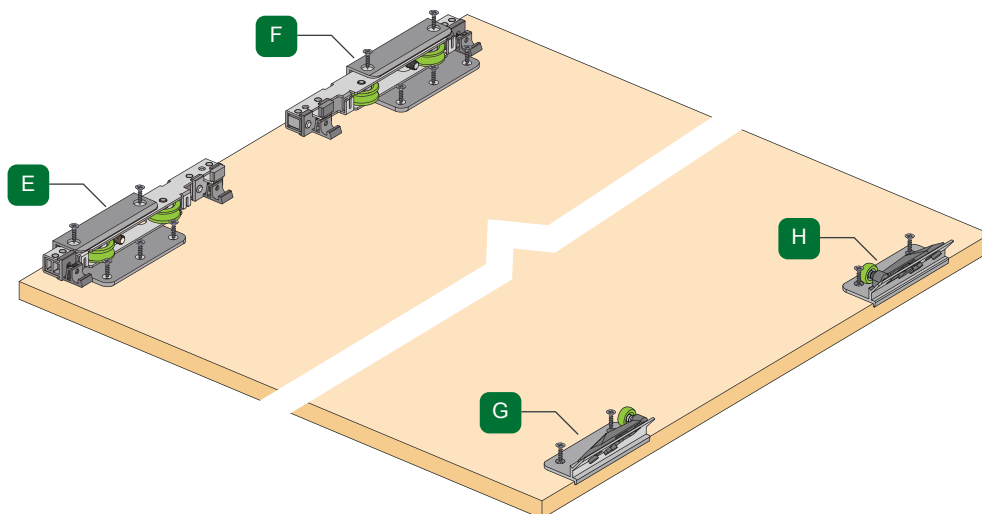
Installation dimensions



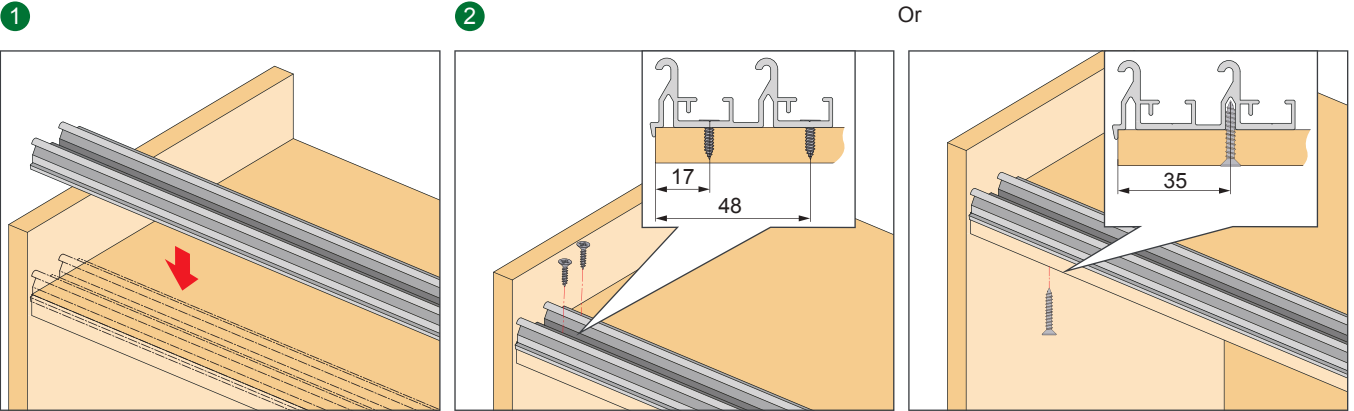
Install outer door accessories



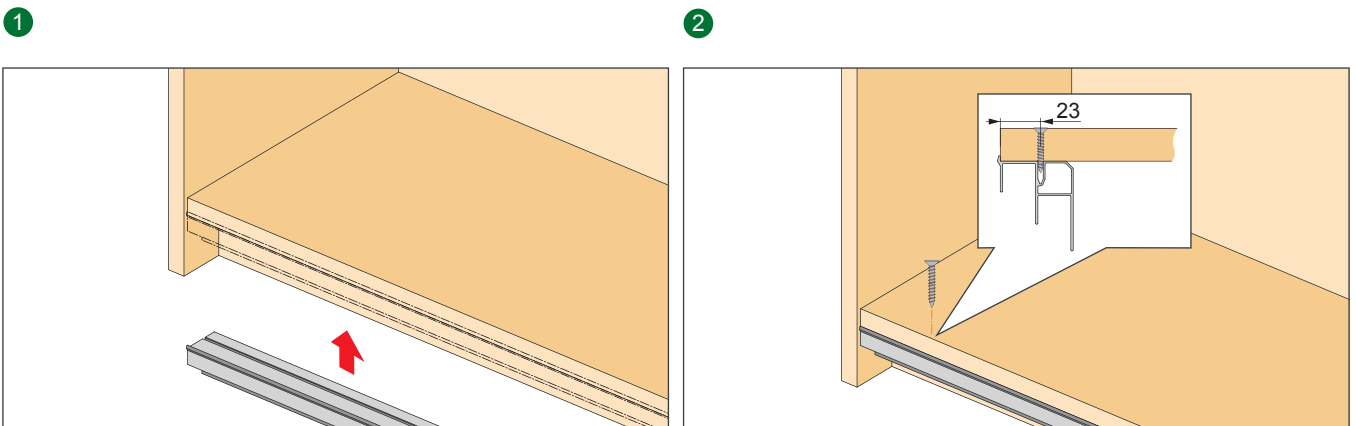
Install inner door accessories



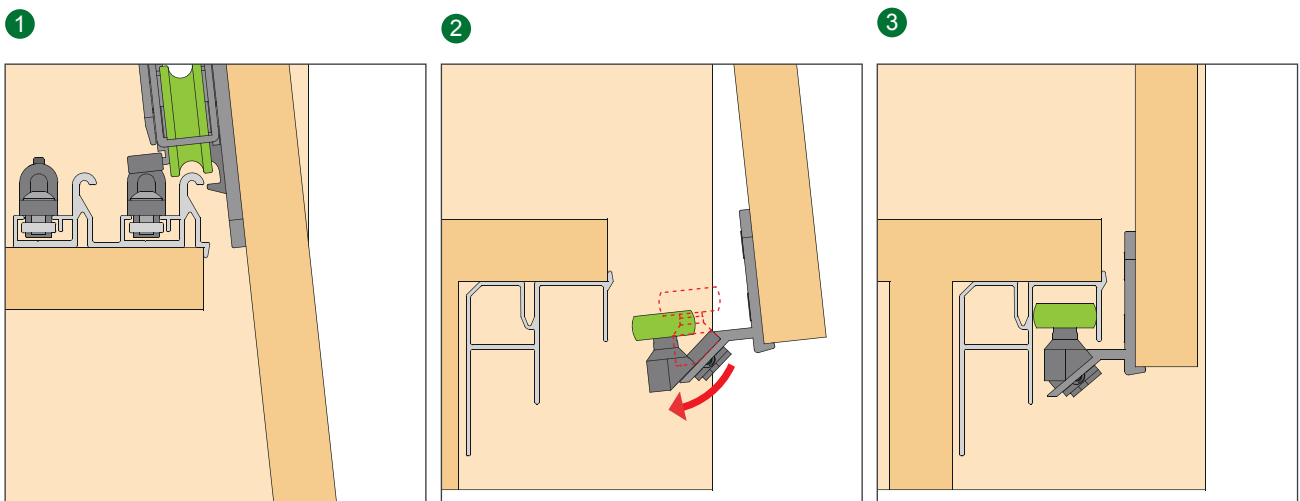
Install top track



Install bottom track

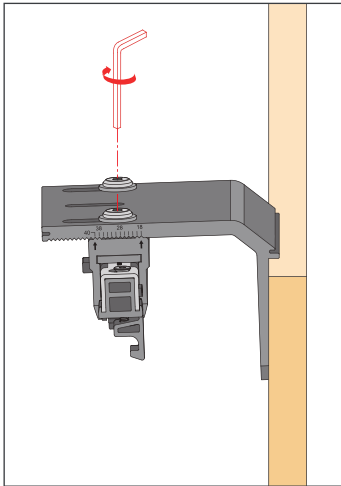


Install inner door

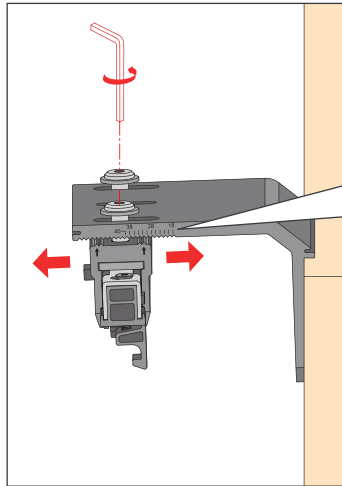


Install outer door

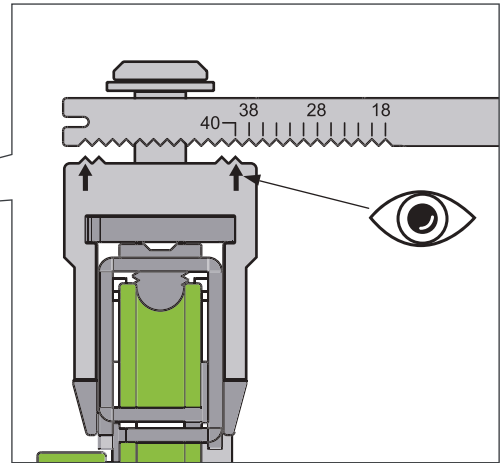
1 Loosing top running part



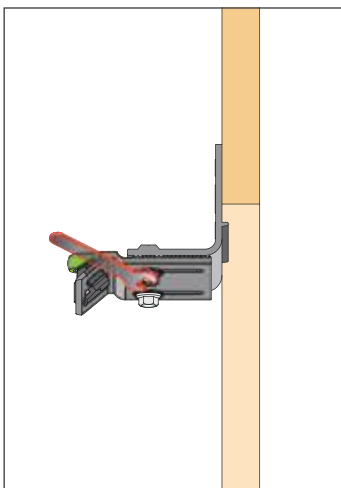
2 Adjustment according to door thickness



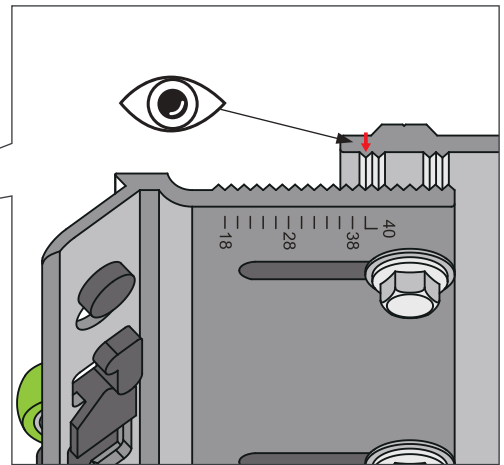
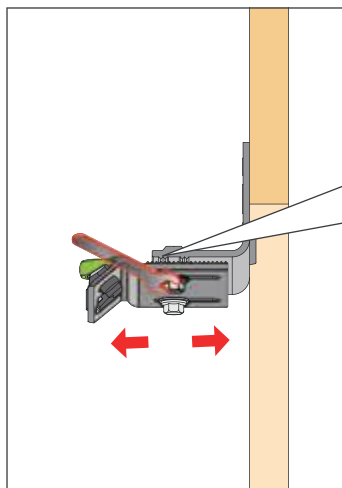
Door thickness:40mm



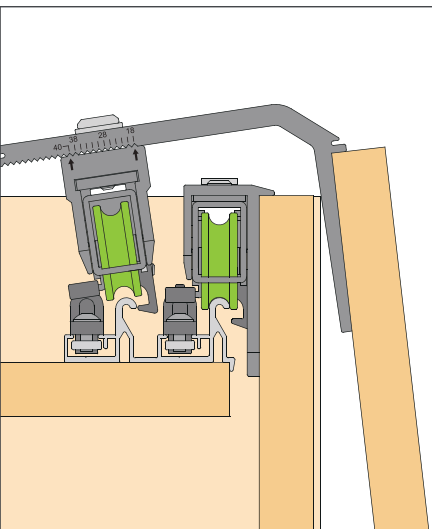
3 Loosing bottom guiding part



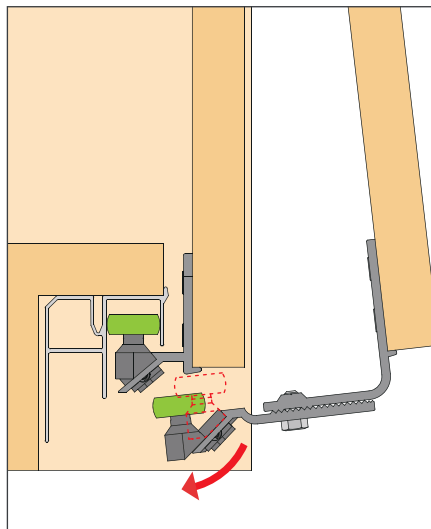
4 Adjustment according to door thickness



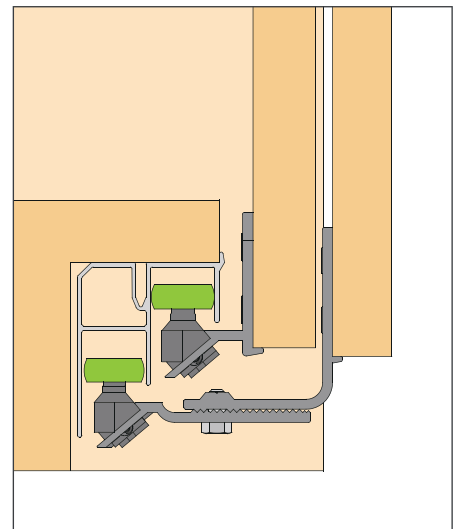
5



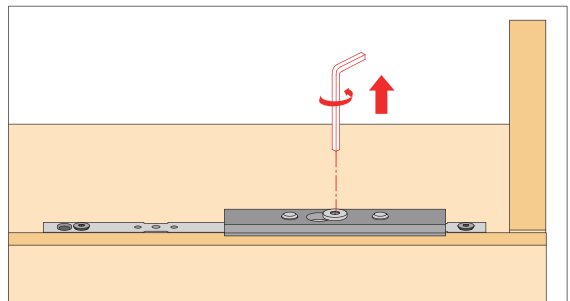
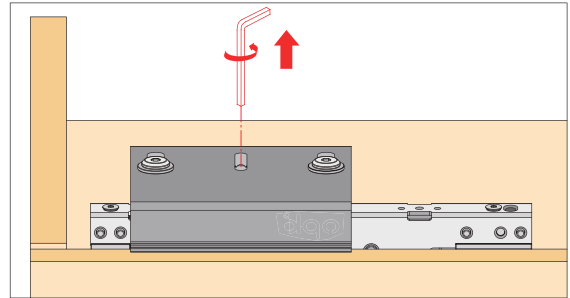
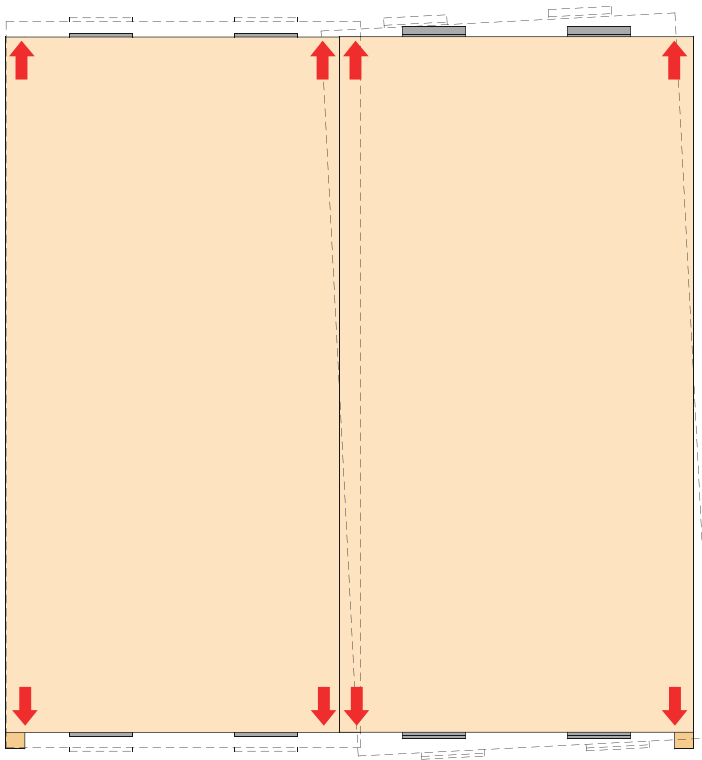
6



7

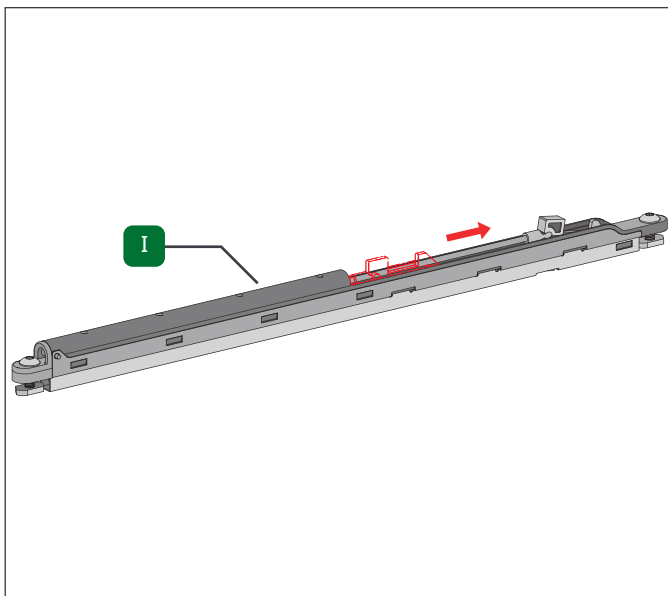


Door height adjustment

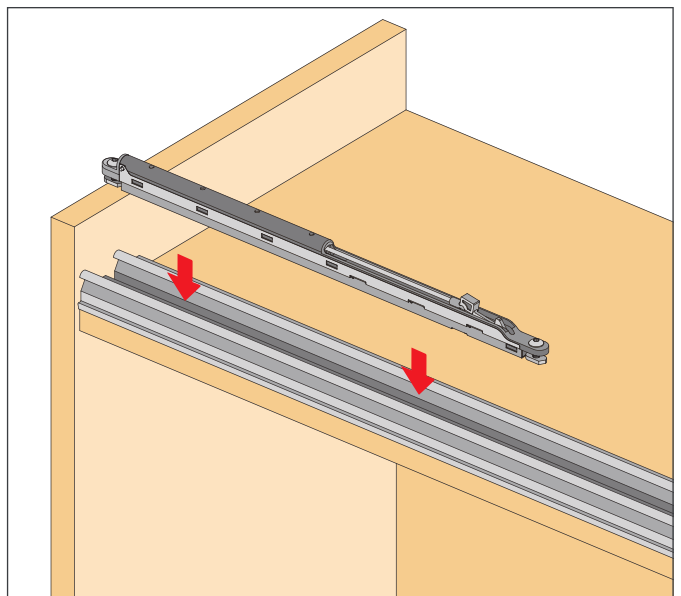


Install damper

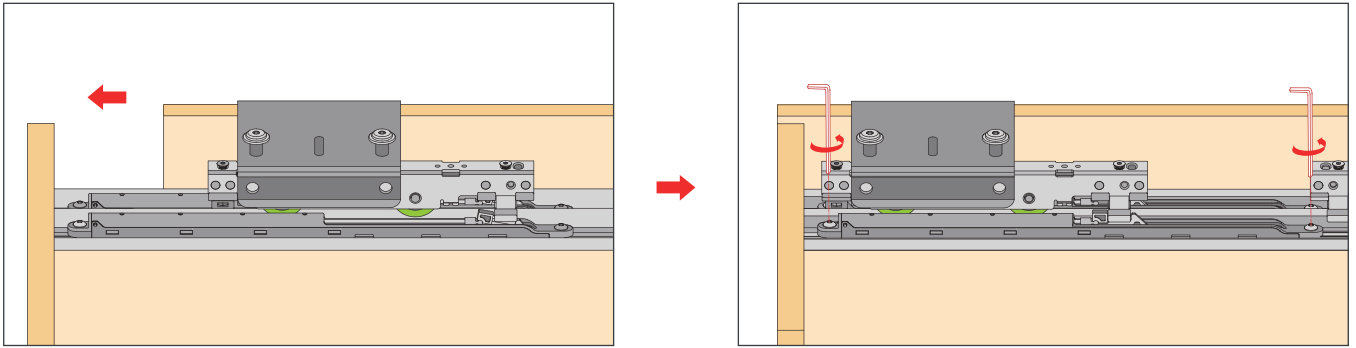
1 Open the damper hook



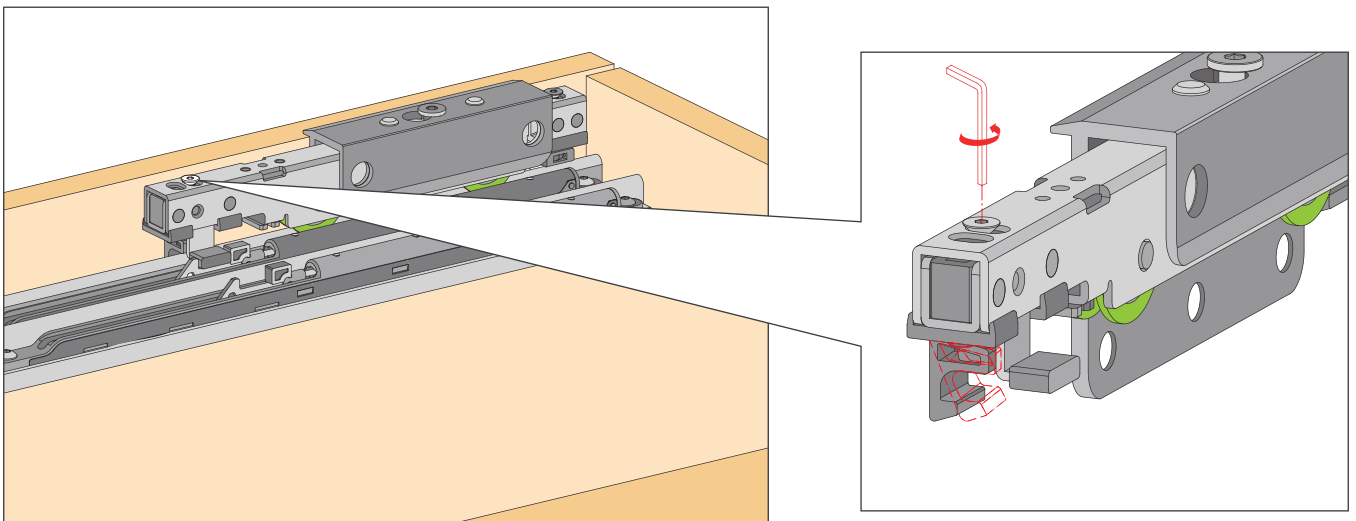
2



Position the damper



Anti-jump hook adjustment



Install decorative cover for outer door (optional)

