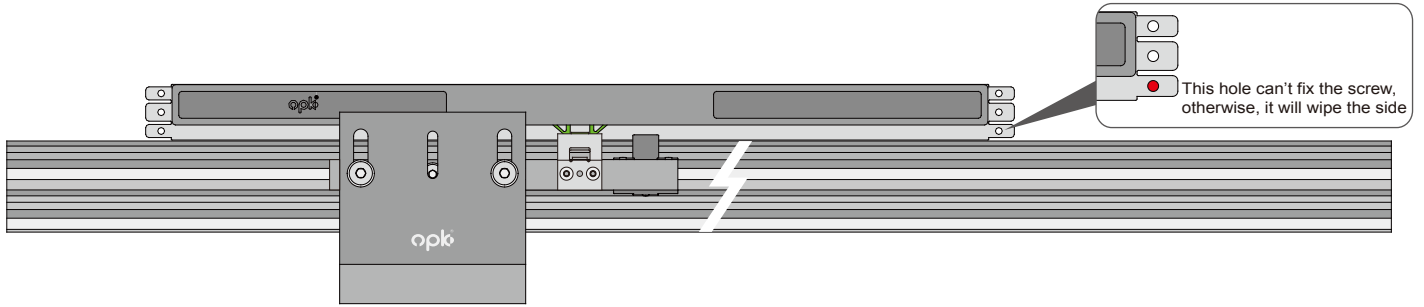
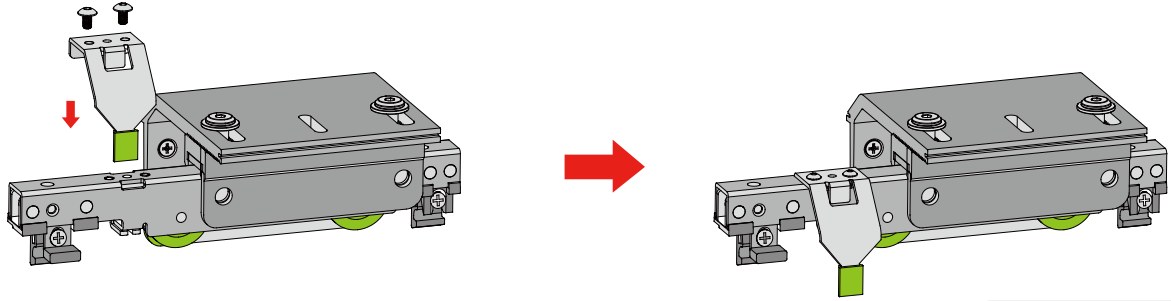


Installation requirement

Two way damper installation



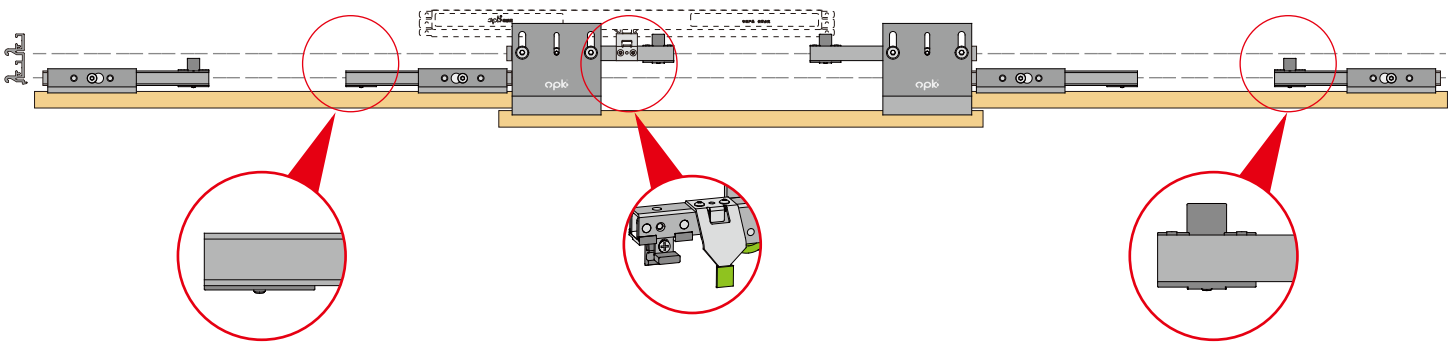
Accessories combination



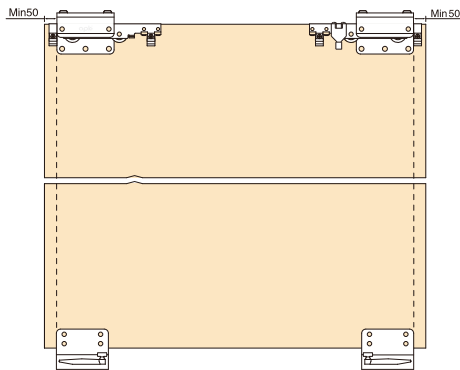
Damper installation location



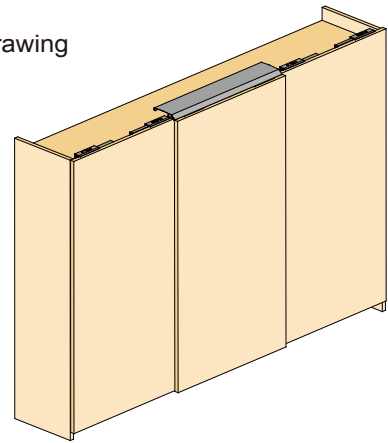
Upper roller installation location



Accessories mounting direction diagram



3-D drawing



Two within one outer