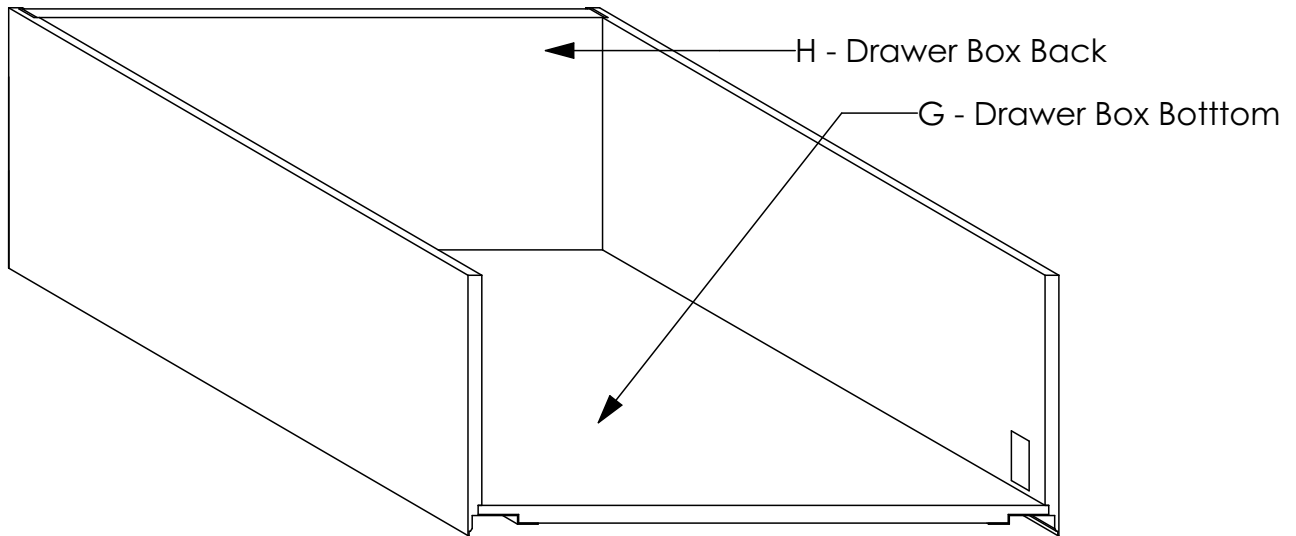


BLUM FLATPAX KITCHEN RANGE







ASSEMBLY GUIDE

LEGRABOX DRAWER BOX HEIGHT 3

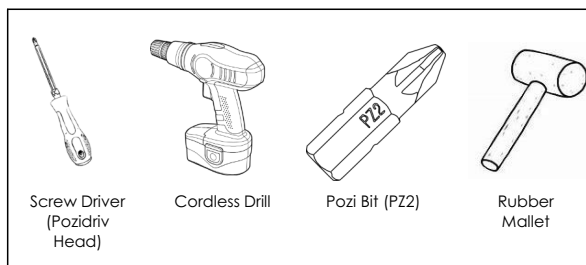


TOTAL NUMBER OF PANELS: 2

HARDWARE

PRODUCT	QTY	IMAGE
Legrabox Back Fixing Bracket Left/Right	1 Pair	
Legrabox Drawer Sides Left/Right	1 Pair	
Screw 3.5 x 16mm	28	
Legrabox Front Fixing Bracket	4	
Legrabox Runners Left/Right	1 Pair	
Blum Cover Cap for Drawer Sides	2 of each	

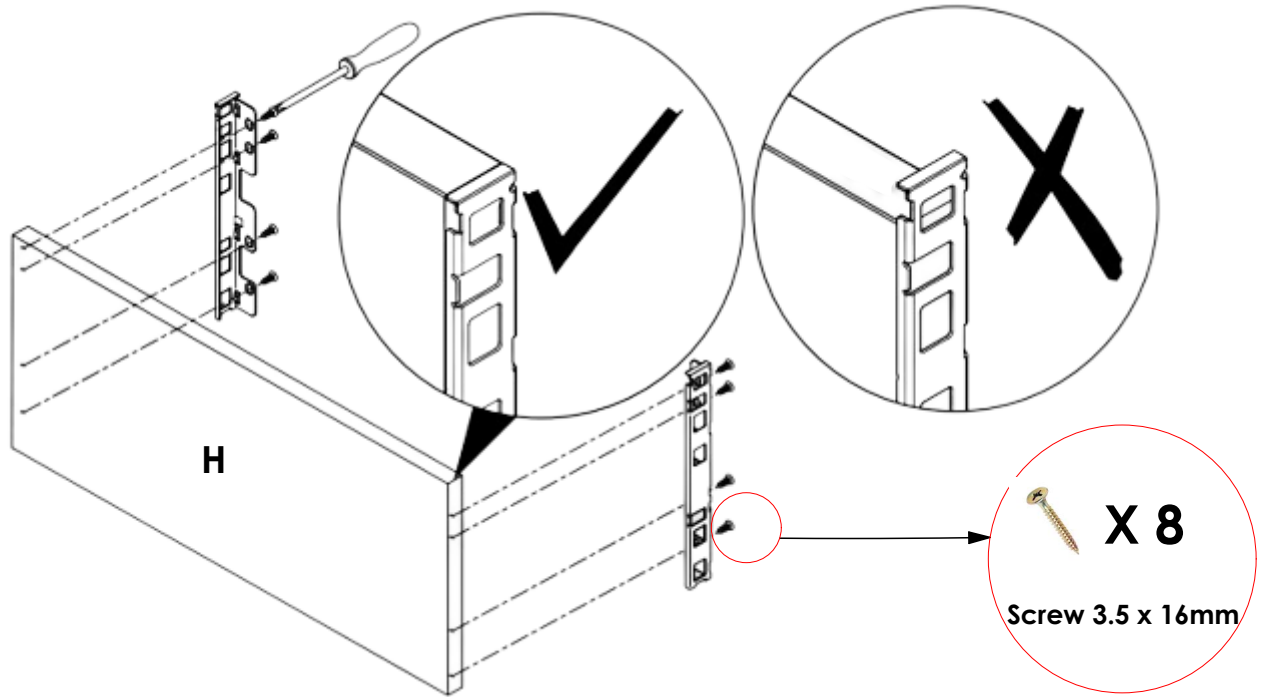
TOOLS REQUIRED



GENERAL INSTRUCTIONS

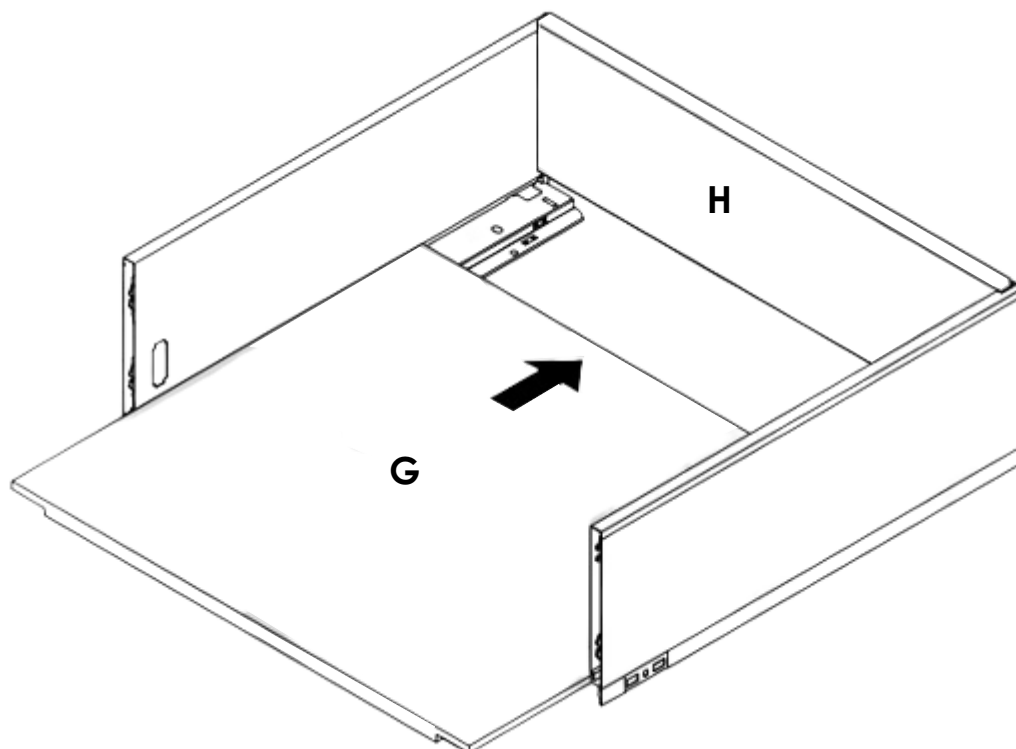
1. Confirm that all panels (2) and hardware are in the package before assembling.
2. Check the white sticker on each panel for the labelling (G & H).
3. Ensure that the panels are laid on a non-abrasive surface when assembling.

STEP 1



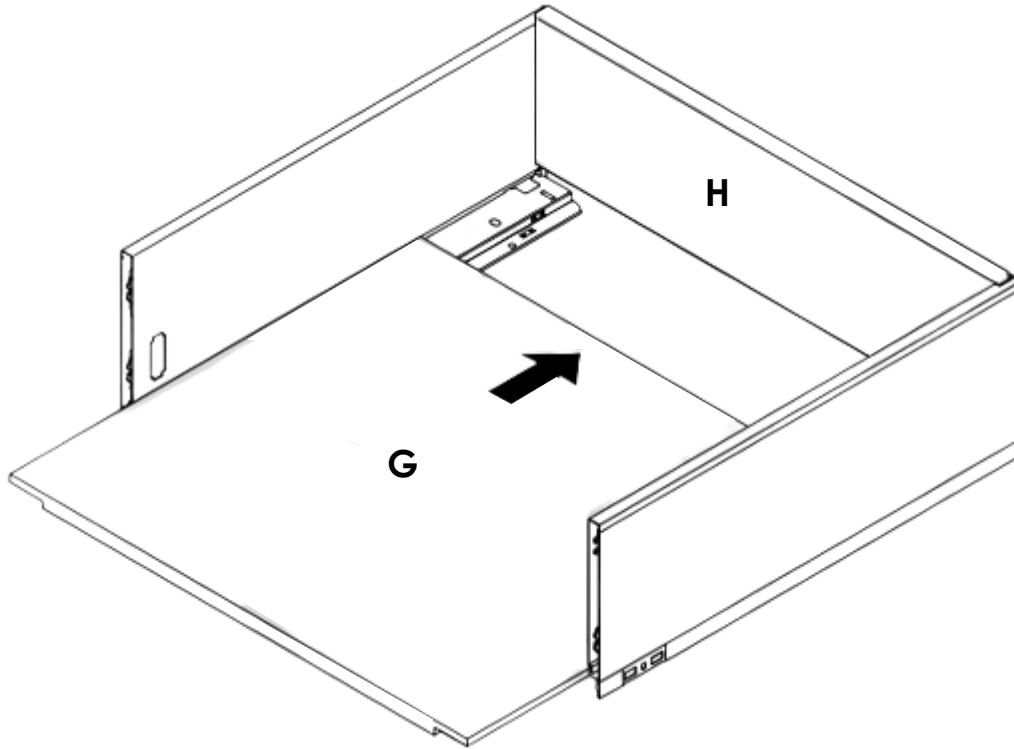
Place the Back Fixing Brackets in the shown positions on Panel **H**.

STEP 2



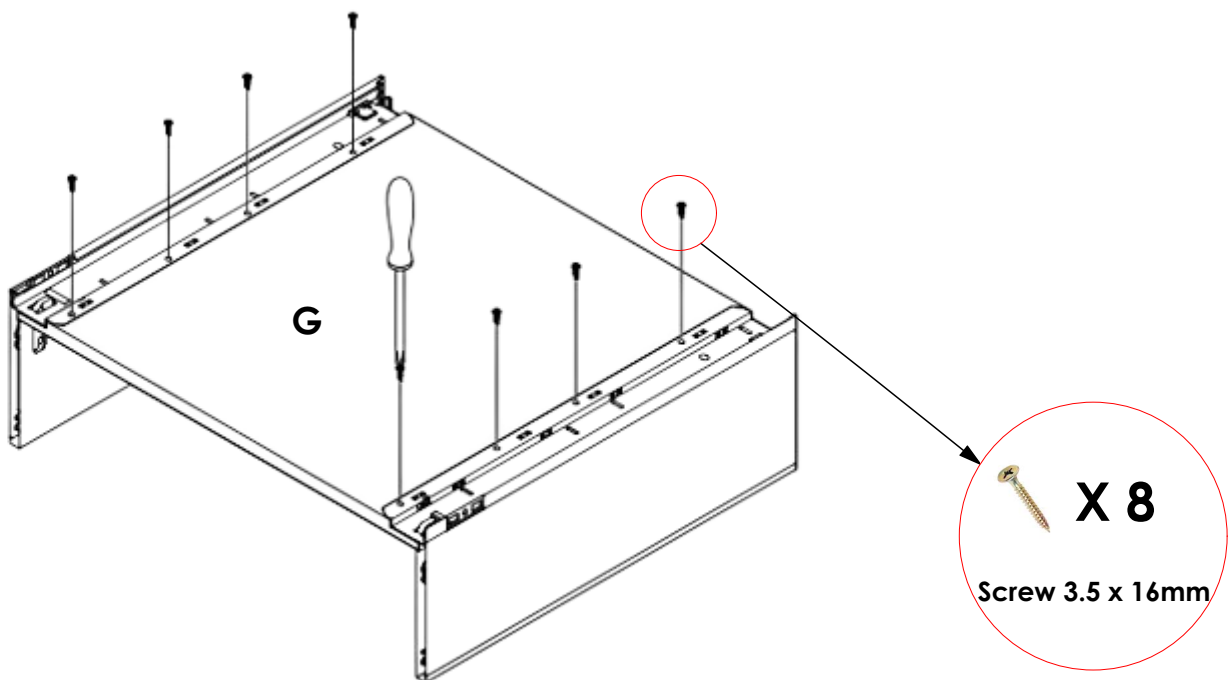
Slide in panel **G** into the Antaro Drawer Sides Until it hits panel **H**.

STEP 3



Slide in panel **G** into the Legrabox Drawer Sides Until it hits panel **H**.

STEP 4



Using **Screw 3.5 x 16mm**, secure panel **G** in the shown positions.

STEP 5

T6

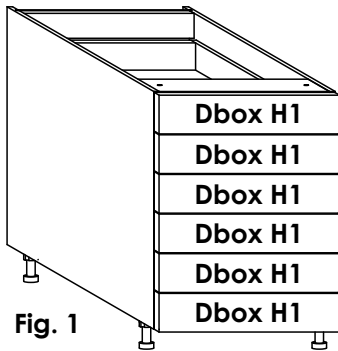
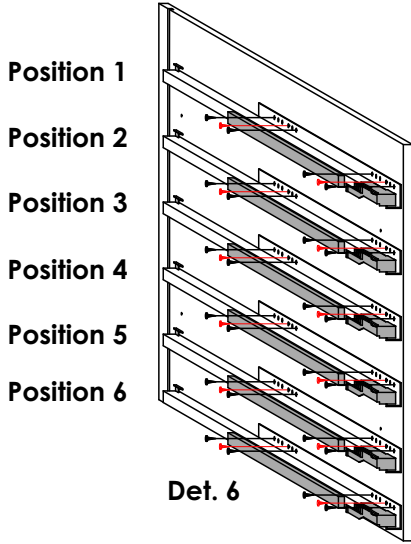


Fig. 1

T123

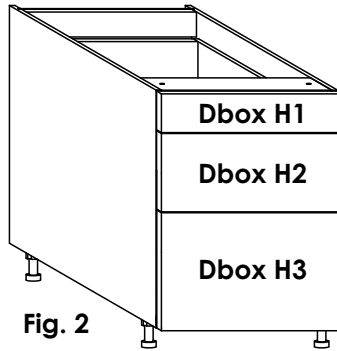
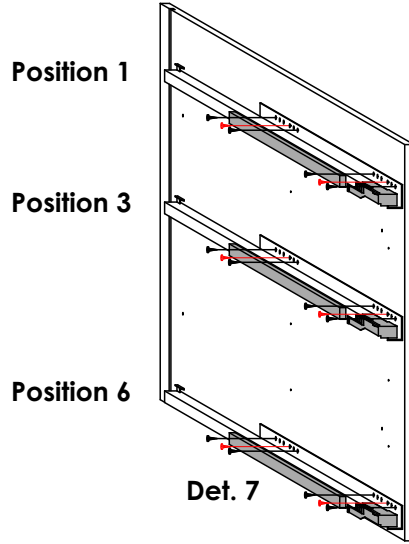


Fig. 2

T222

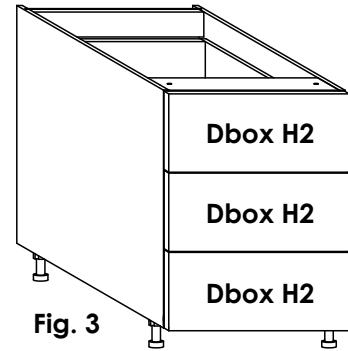
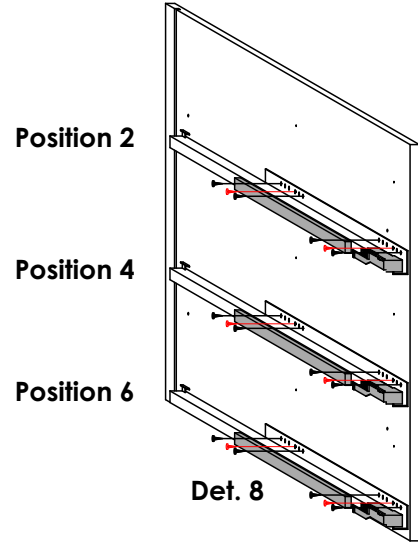


Fig. 3

T33

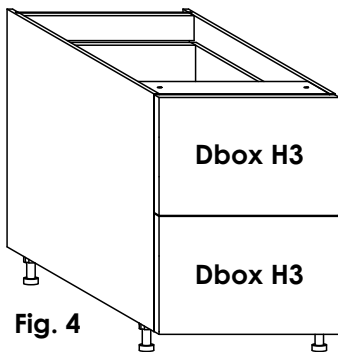
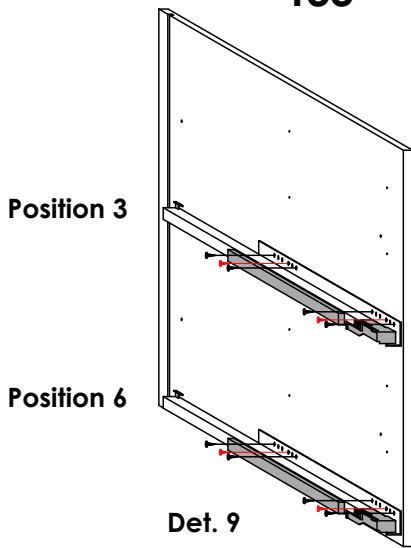


Fig. 4

T24

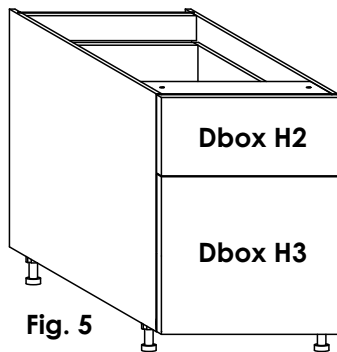
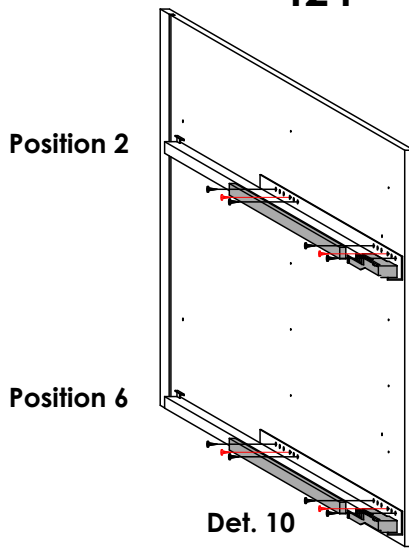


Fig. 5

T15

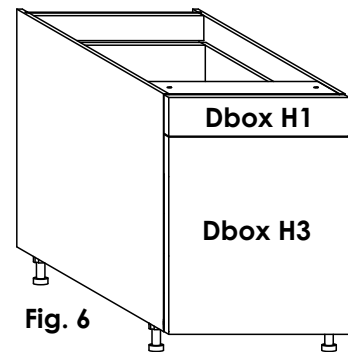
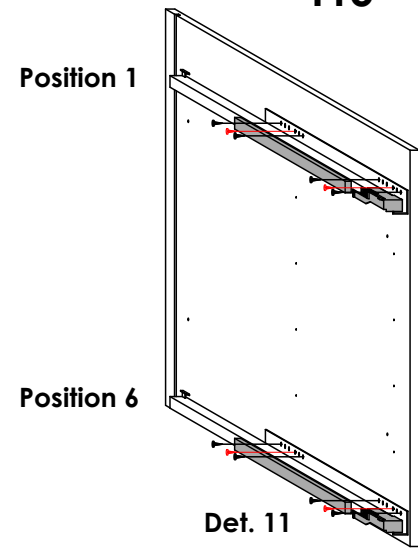
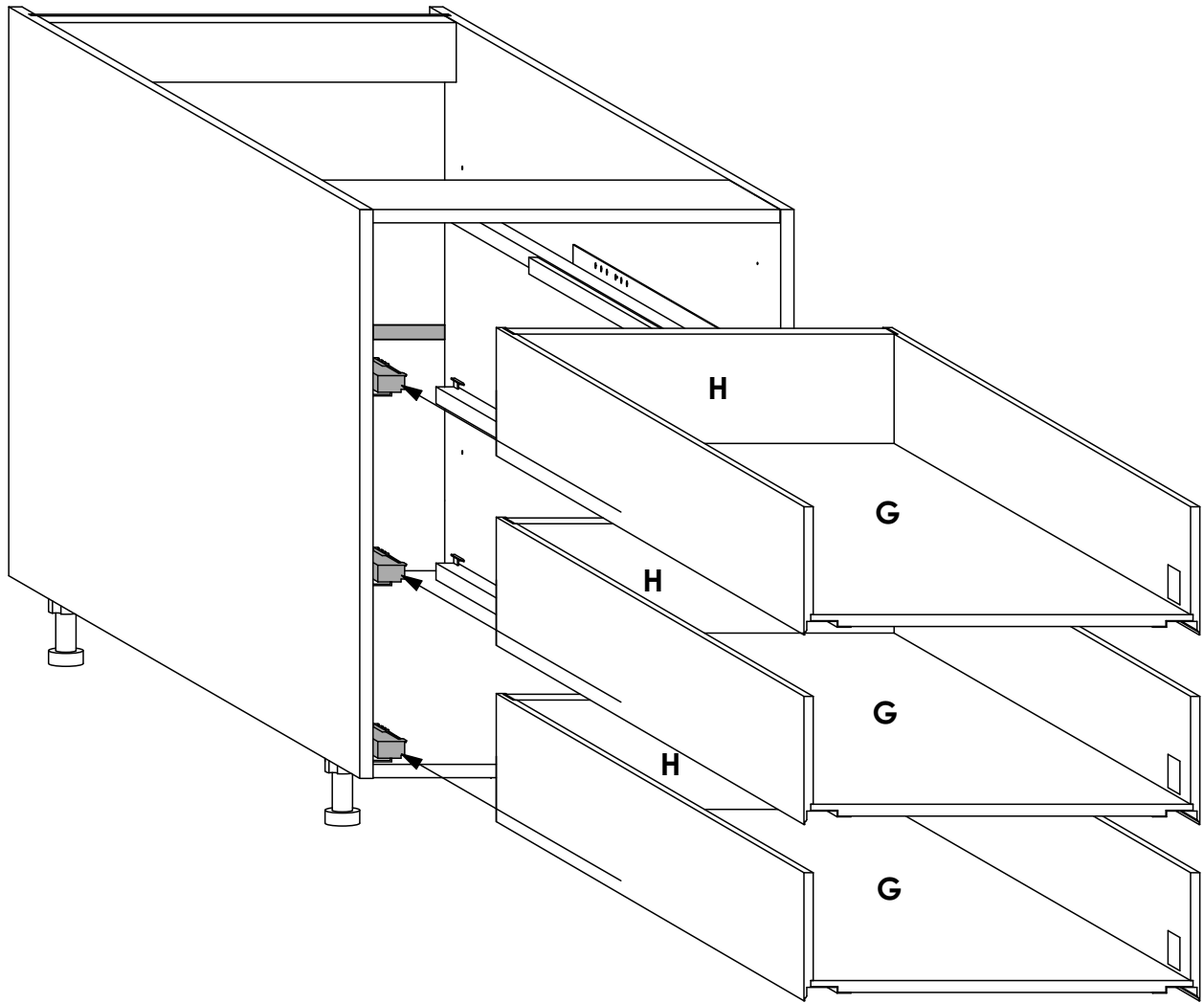


Fig. 6

Using **Screw 3.5 x 16mm**, connect the **Legrabox Runners** to Panels A & B of the **Drawer Cabinets**. Confirm the desired configuration from **Fig. 1-6** and connect the runners in the corresponding positions shown in **Det. 6-11**. The screws shown in **red** align with pre-drilled pilot holes. After fastening in the two screws in aligning positions, use four more screws to reinforce the runners as shown. Also, from **fig. 1-6**, note the **specific Legrabox Drawer Box Heights** that go into each configuration.

STEP 6



Slide in the Drawer Boxes all the way in with the Legrabox Drawer Sides sitting on the Legrabox Runners. See the Doors and Dummy Panels Installation guides for further instructions (Drawer Fronts Installation).