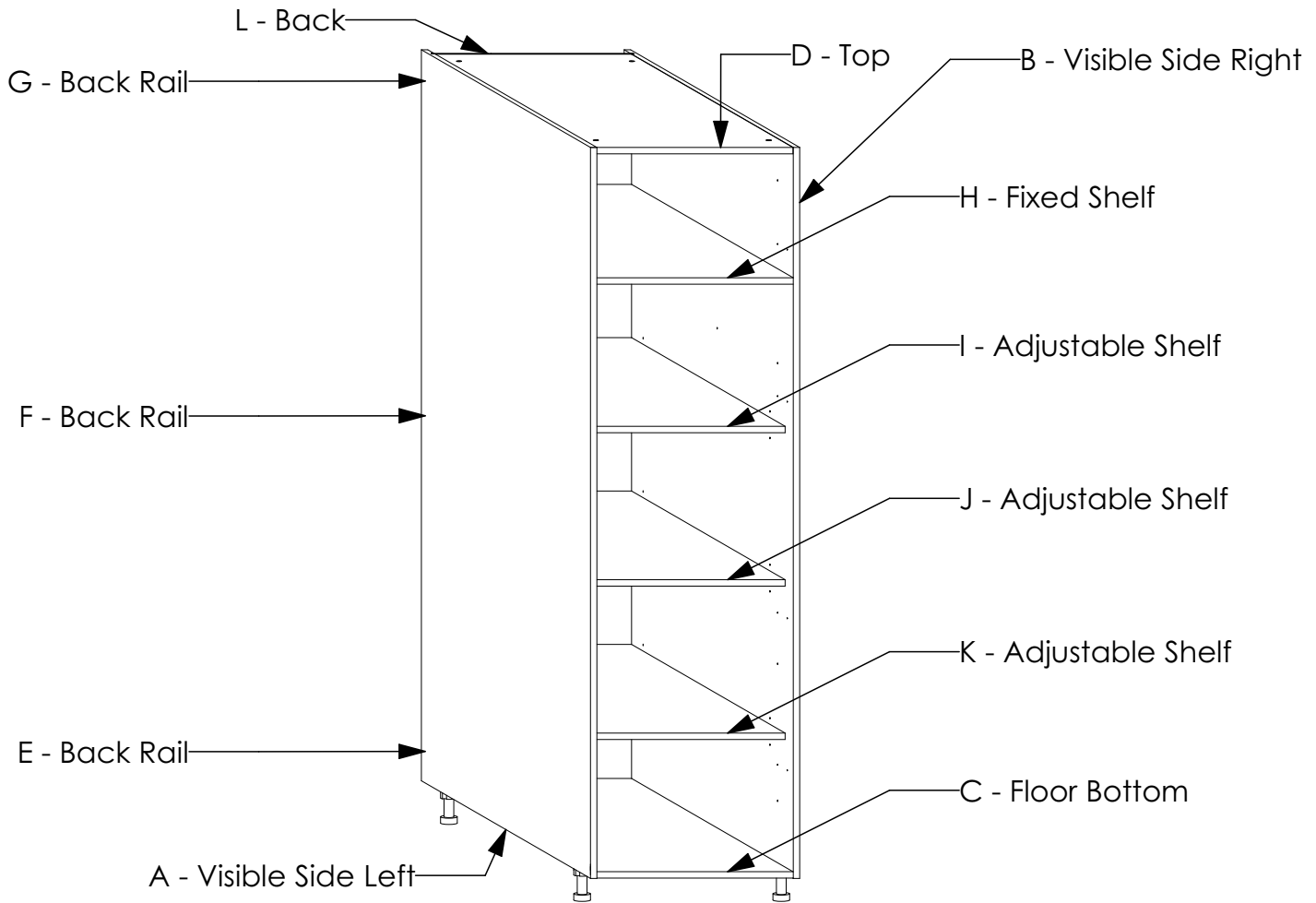


BLUM FLATPAX KITCHEN RANGE








ASSEMBLY GUIDE

TALL CABINET 600mm



TOTAL NUMBER OF PANELS: 12

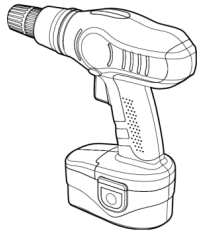
HARDWARE

| PRODUCT | QTY | IMAGE |
|---------------------------------|-----|---|
| Dufix | 18 |  |
| Minifix | 18 |  |
| Wooden Dowel | 36 |  |
| Screw 3.5 x 16mm | 22 |  |
| Plinth Leg With Base H100mm Kit | 4 |  |
| Cabinet Connecting Screw Kit | 6 |  |
| Shelf Support Flipper 14mm Kit | 12 |  |

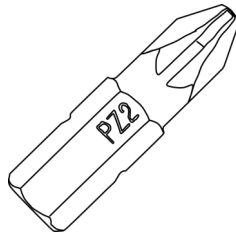
TOOLS REQUIRED



Screw Driver
(Pozi Drive Head)



Cordless Drill



Pozi Bit (PZ2)



8mm Drill Bit

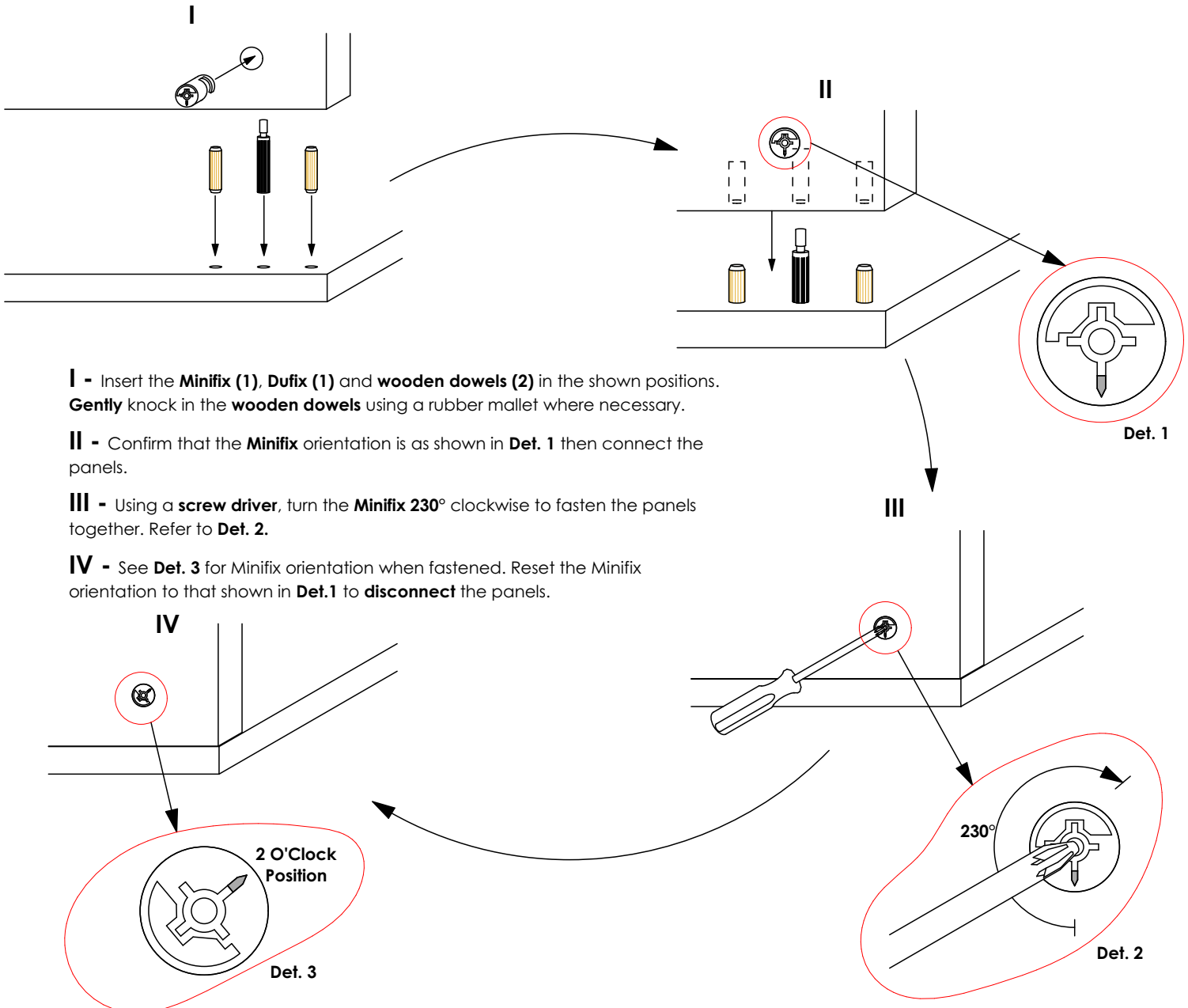


Rubber Mallet

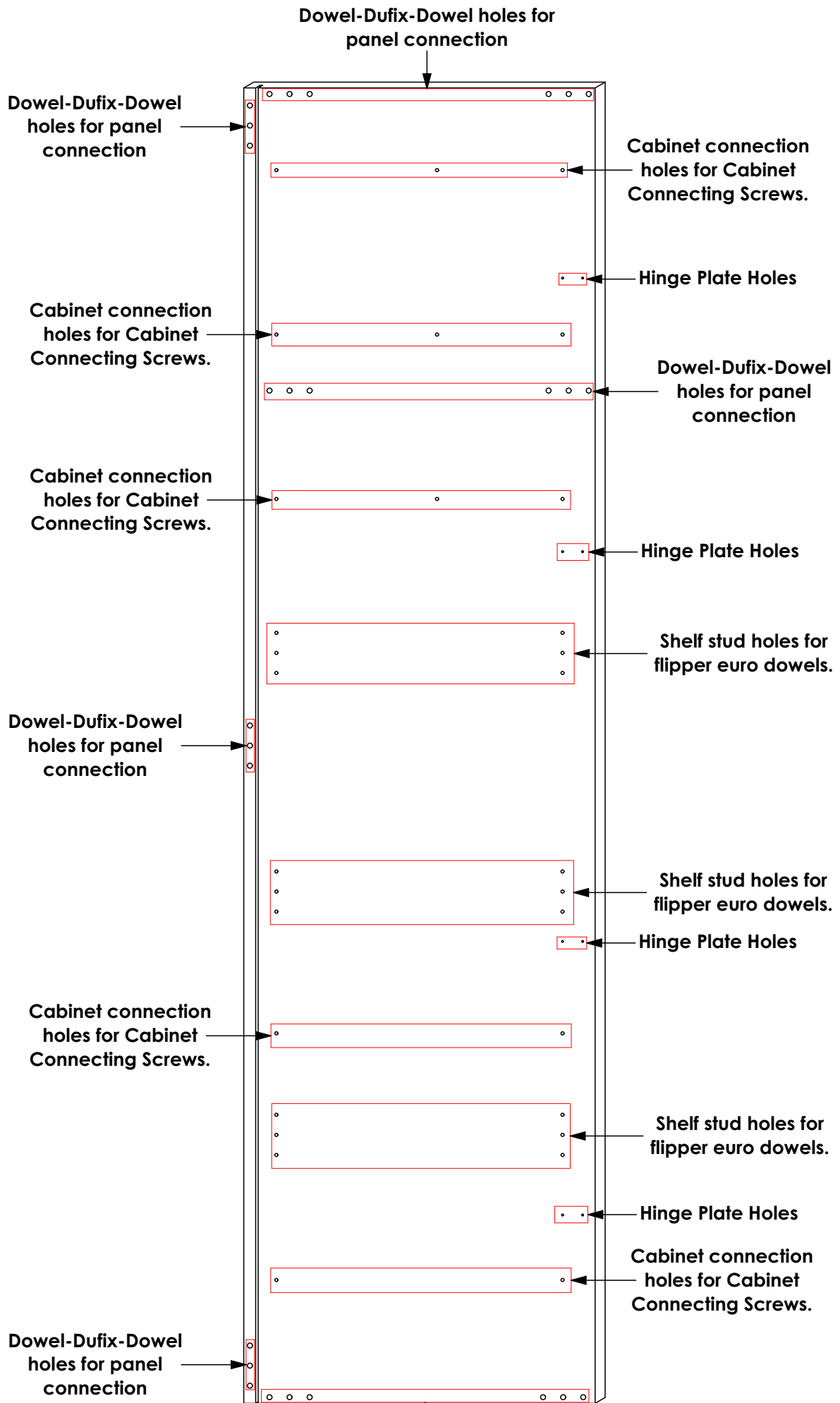
GENERAL INSTRUCTIONS

1. Confirm that all panels (12) are in the package before assembling.
2. Check the white sticker on each panel for the labelling (A, B, C, D, E, F, G, H, I, J, K & L).
3. Ensure that the panels are laid on a non-abrasive surface when assembling.
4. Note that all panel connections are done using the system described below.

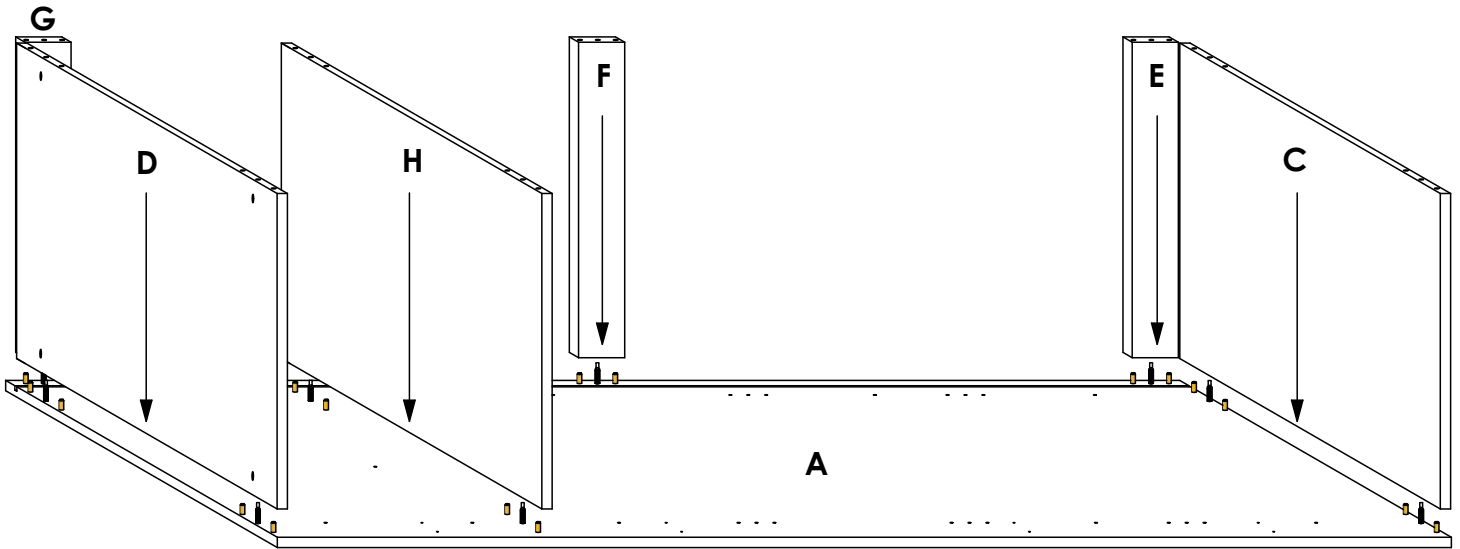
PANEL CONNECTION AND FASTENING



PILOT HOLES KEY FOR SIDE PANELS

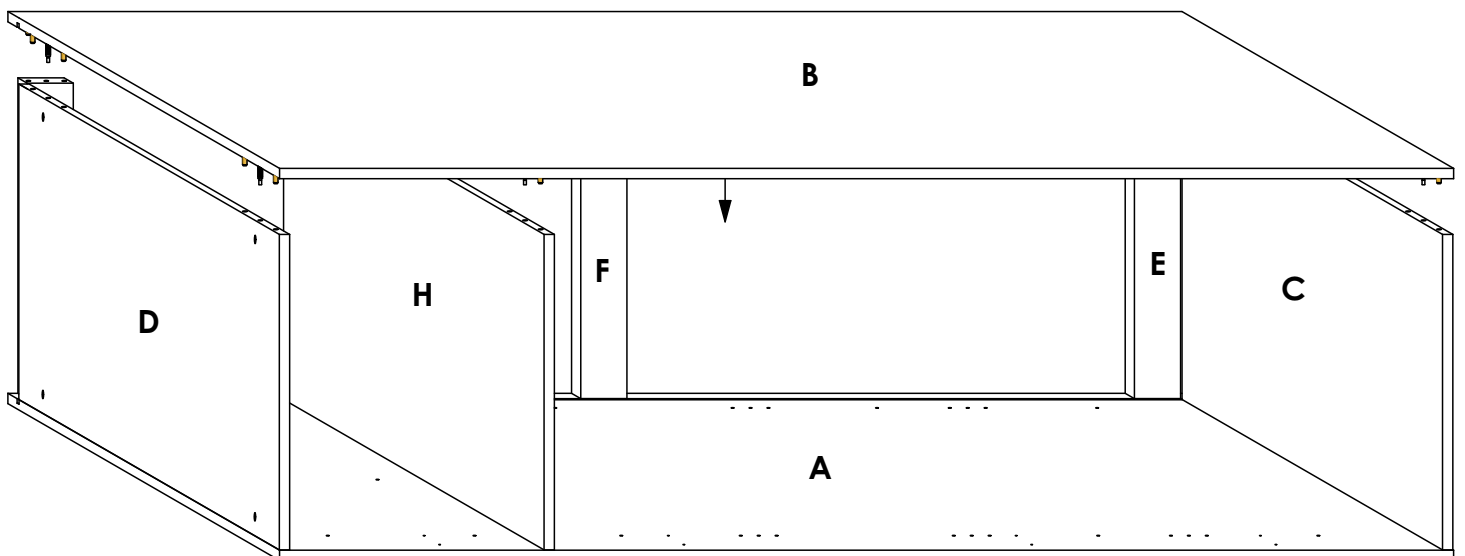


STEP 1



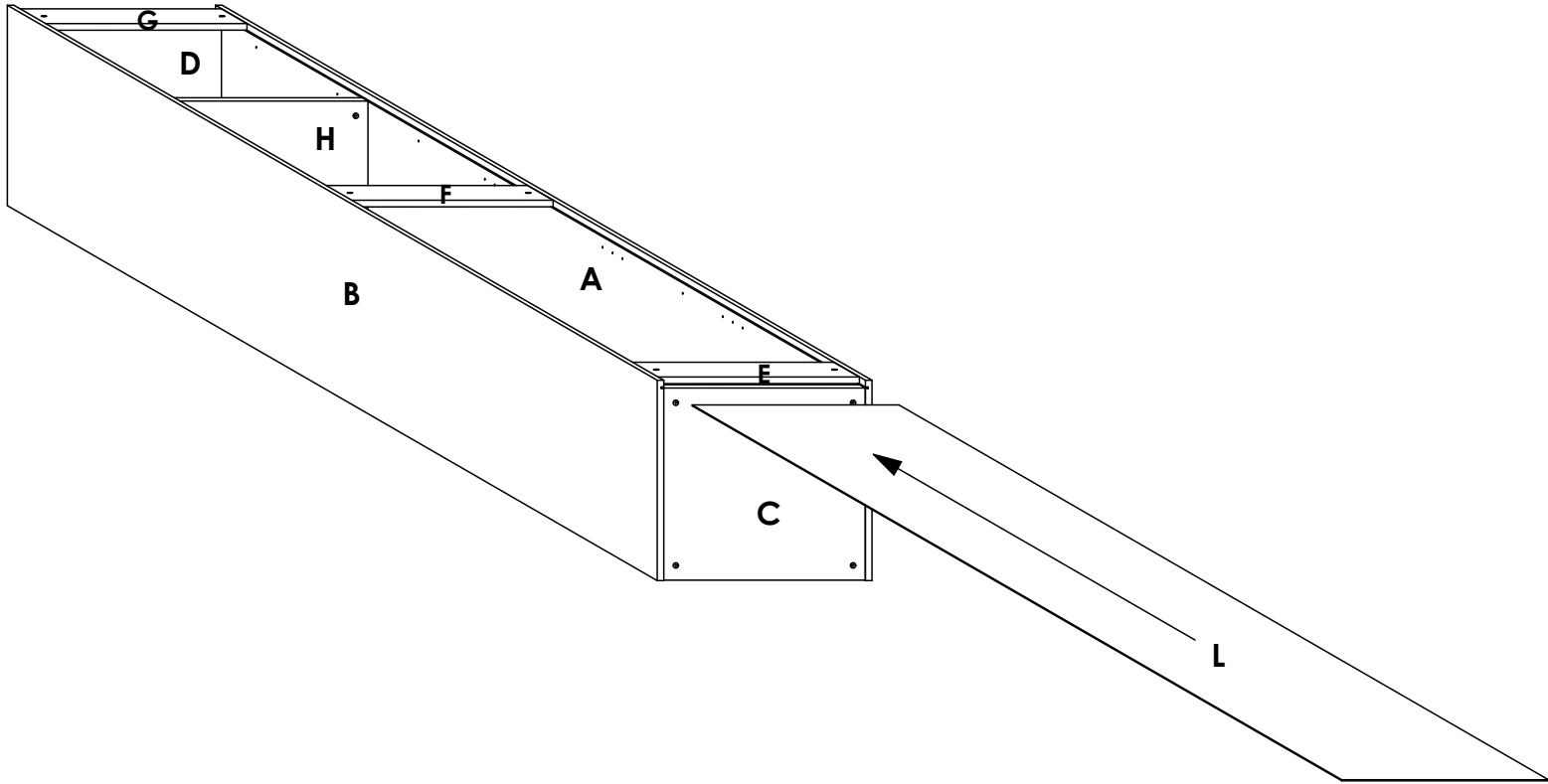
Connect panels **C, D, E, F, G & H** to panel **A** as shown. Refer to the holes and/or grooves on the diagram to determine the panel orientation.

STEP 2



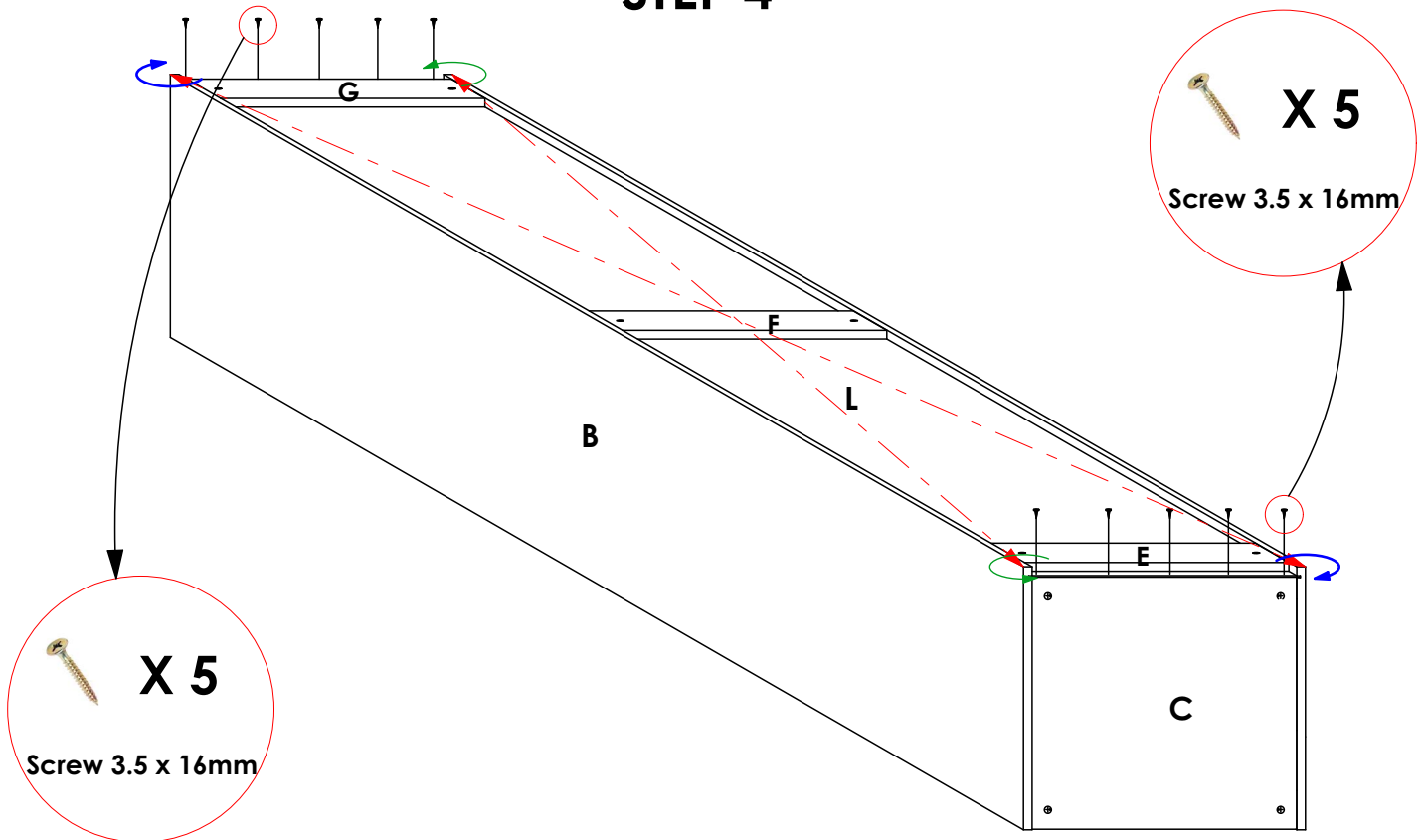
Connect panel **B** to panels **C, D, E, F, G & H** as shown. Refer to the holes and/or grooves on the diagram to determine the panel orientation.

STEP 3



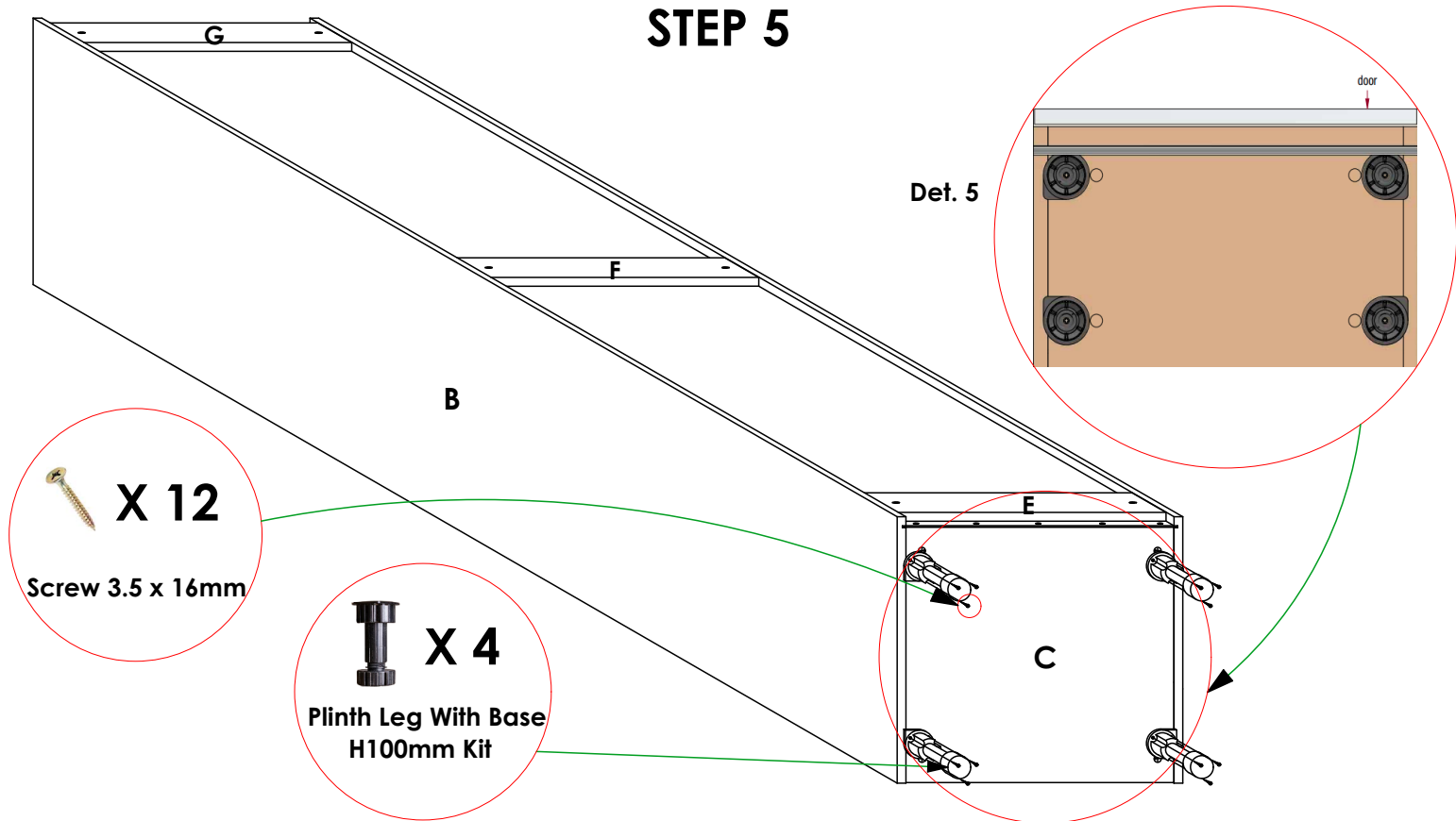
Slide the 3mm panel (L) into the groove on panels **A & B** with the finished side facing down. Refer to the holes and/or grooves on the diagram to determine the panel orientation.

STEP 4



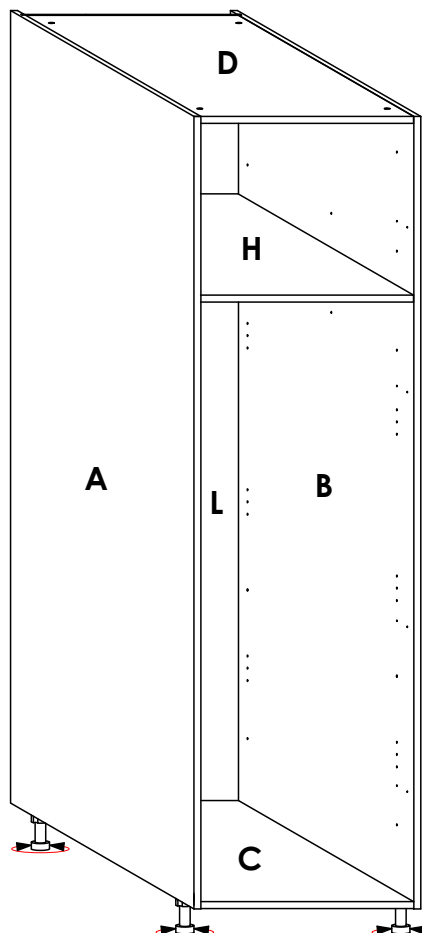
First, **check the diagonal** of the cabinet by measuring the two distances indicated by the broken lines. They should be equal. If not, twist the cabinet accordingly in the diagonal corners as shown until an equal value is achieved. After, secure panel **F** to panels **C & D** as shown using **Screw 3.5 X 16mm**.

STEP 5



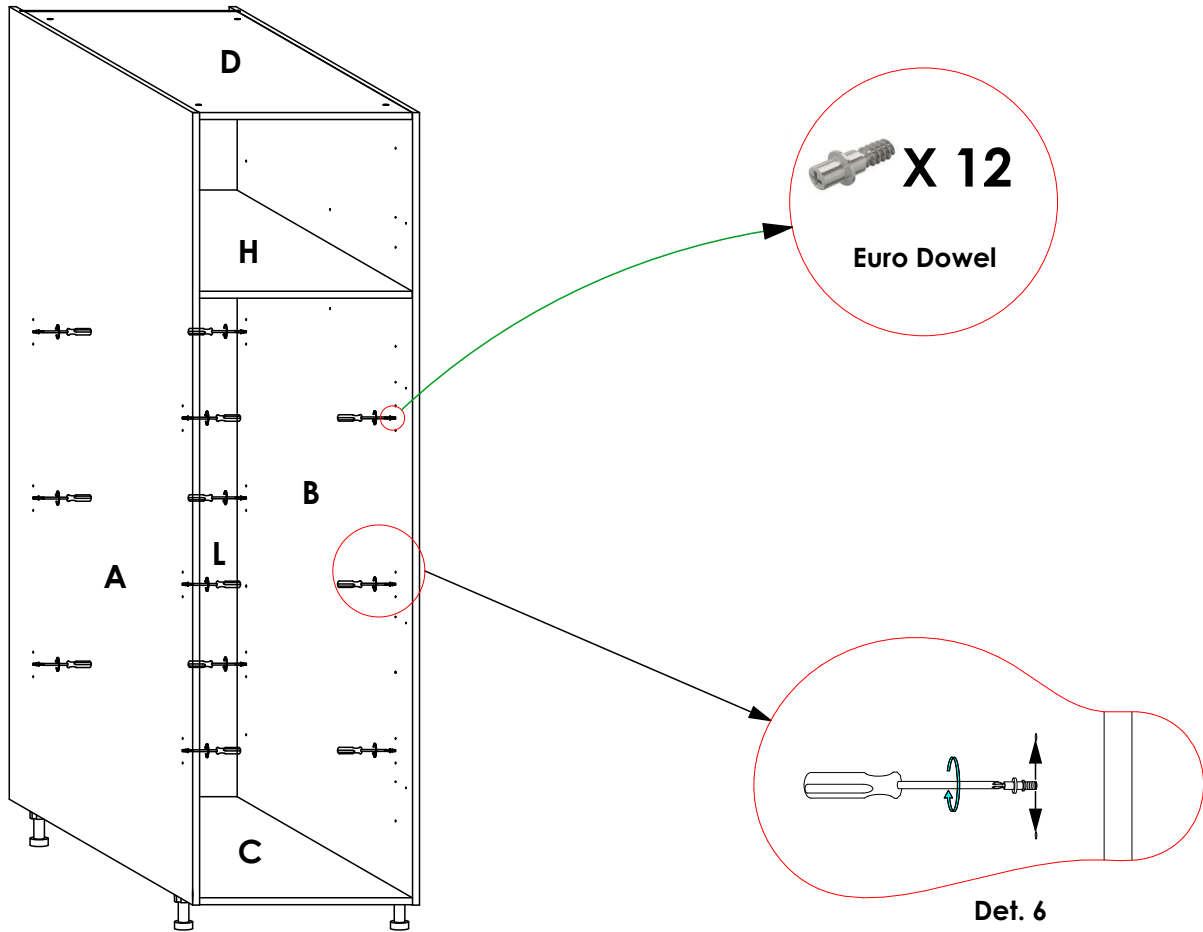
Place the four units of **Leg Adjustable Base 100mm** in the shown positions, aligning with the pre-drilled pilot holes on panel **C**. Ensure that the orientation is as shown in **Det. 5**. Using **Screw 3.5 X 16mm**, secure the legs onto panel **C**.

STEP 6



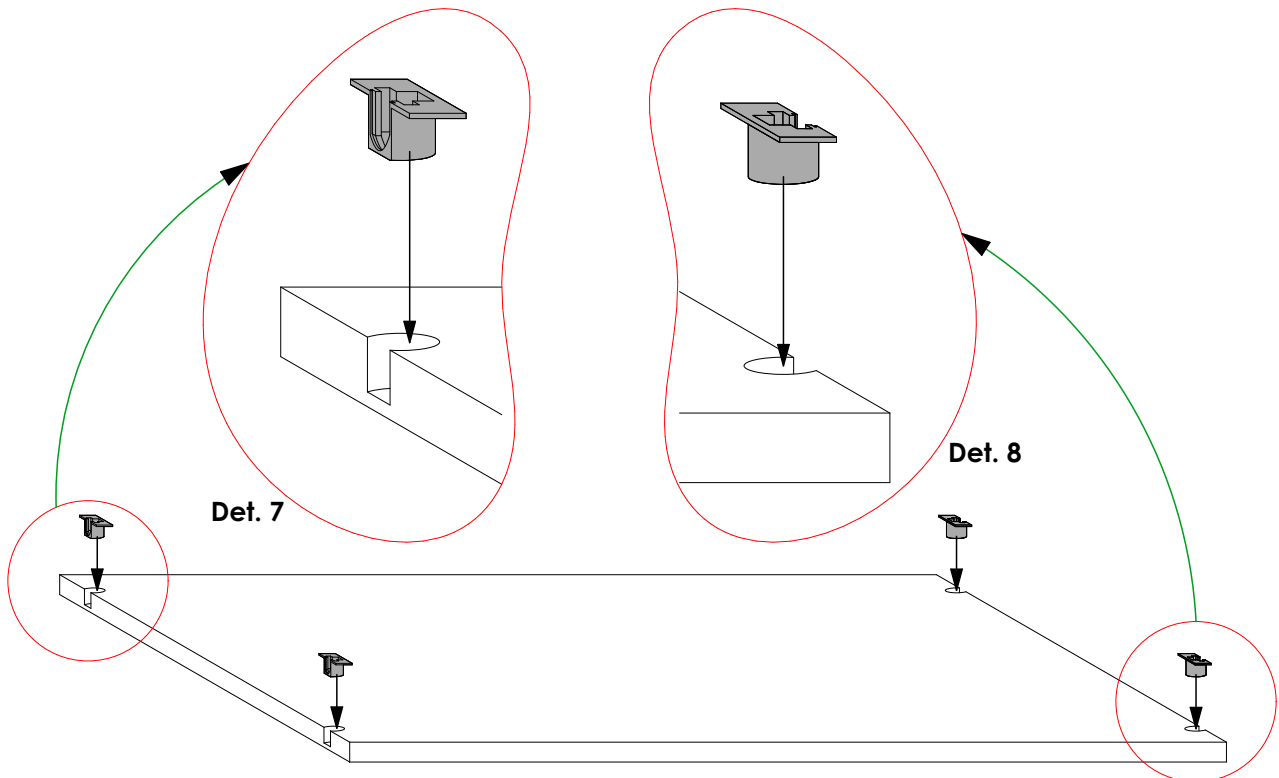
Flip the cabinet upright, place it in the desired position and adjust its height by rotating the base of the legs as shown to level.

STEP 7



Screw in the **Euro Dowels** for flipper in the shown positions. Their positions can be adjusted as shown in **Det. 6** to change the level of the shelves or to slant the shelves.

STEP 8



Insert the **shelf supports** for flipper in the shown positions on panels **I, J & K**. Confirm that the orientation is as shown in **Det. 7** and **Det. 8**.

STEP 9

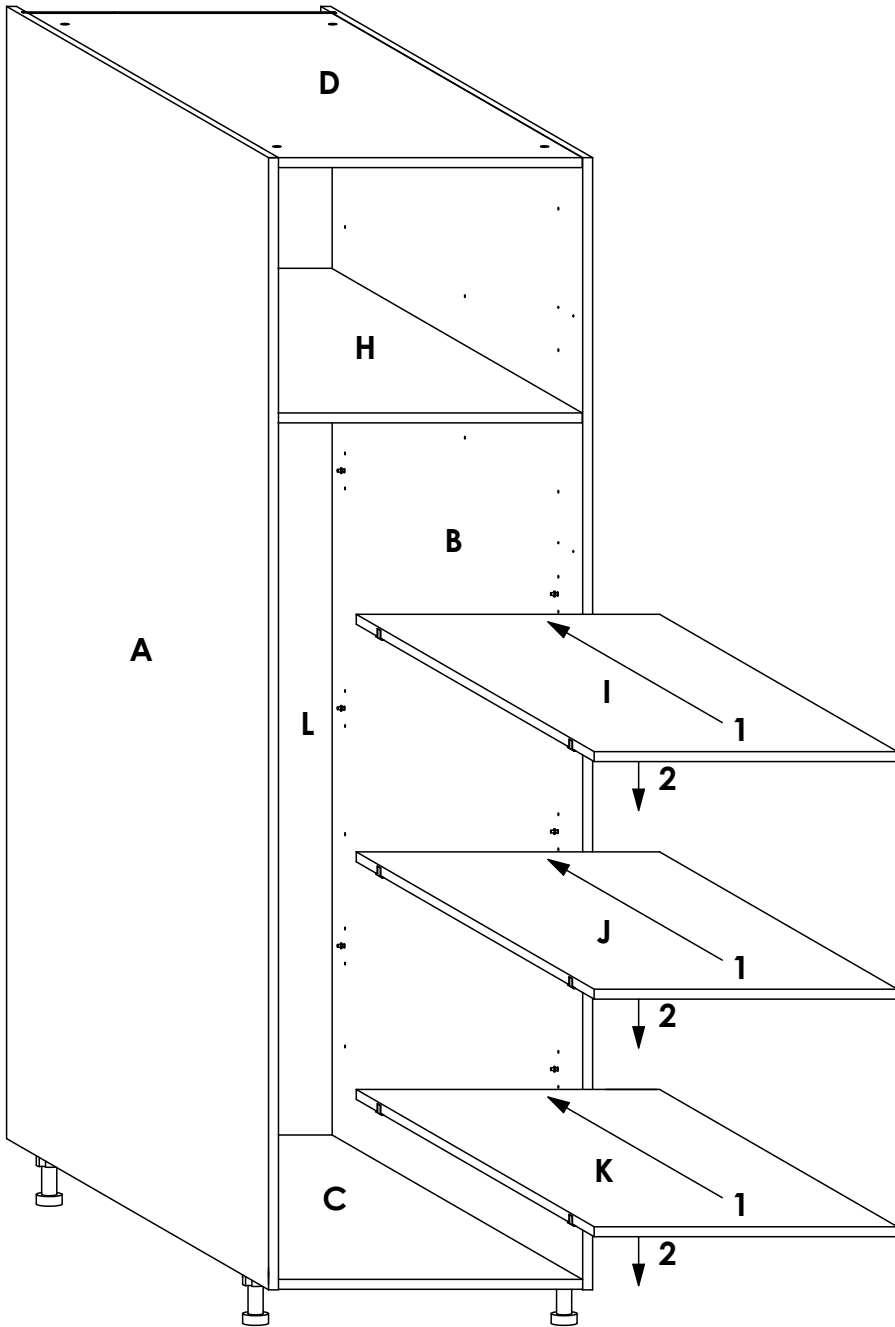
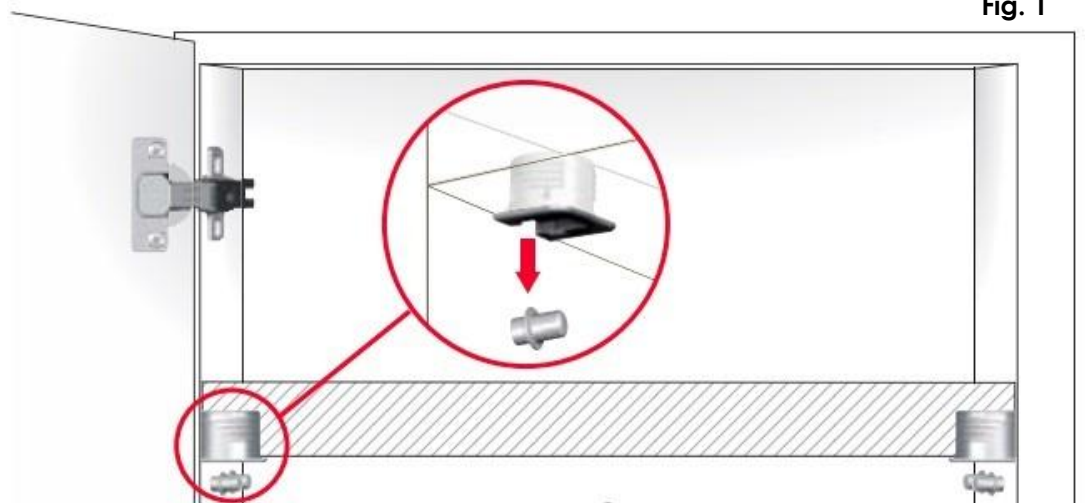


Fig. 1



1. Slide in the shelves (Panels **I, J & K**) above the euro dowels as shown. Slide them in until they touch the back.
2. Press down the shelves lightly such that the euro dowels snap into the shelf supports. See **Fig. 1**.

See the Door Installation guide for further instructions.