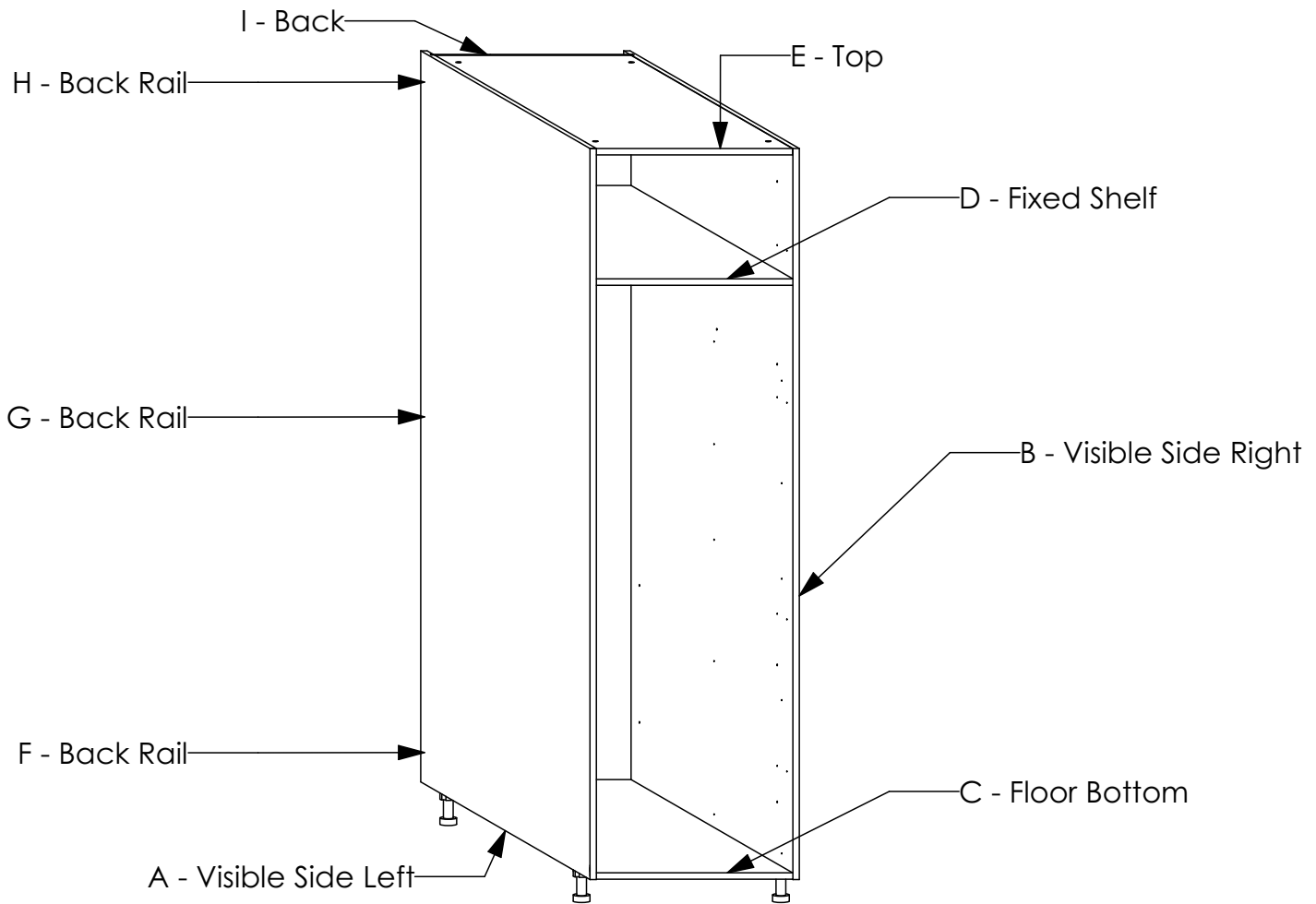


# BLUM FLATPAX KITCHEN RANGE







## ASSEMBLY GUIDE

### TALL CABINET DRAW 600mm



**TOTAL NUMBER OF PANELS: 9**

#### HARDWARE

PRODUCT	QTY	IMAGE
Dufix	18	
Minifix	18	
Wooden Dowel	36	
Screw 3.5 x 16mm	22	
Plinth Leg With Base H100mm Kit	4	
Cabinet Connecting Screw Kit	6	

## TOOLS REQUIRED



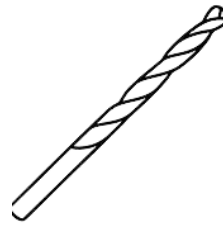
Screw Driver  
(Pozi Drive Head)



Cordless Drill



Pozi Bit (PZ2)



8mm Drill Bit

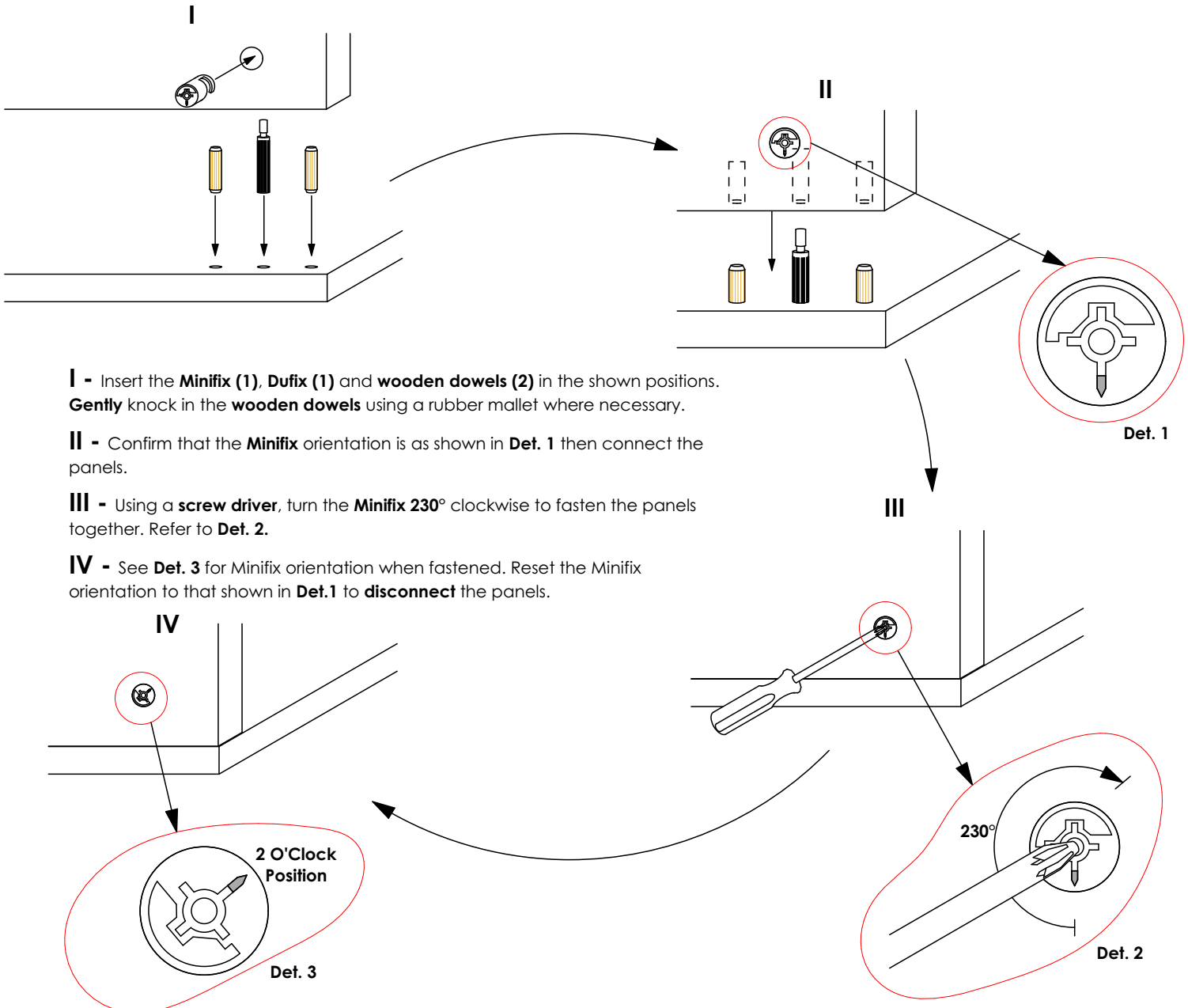


Rubber Mallet

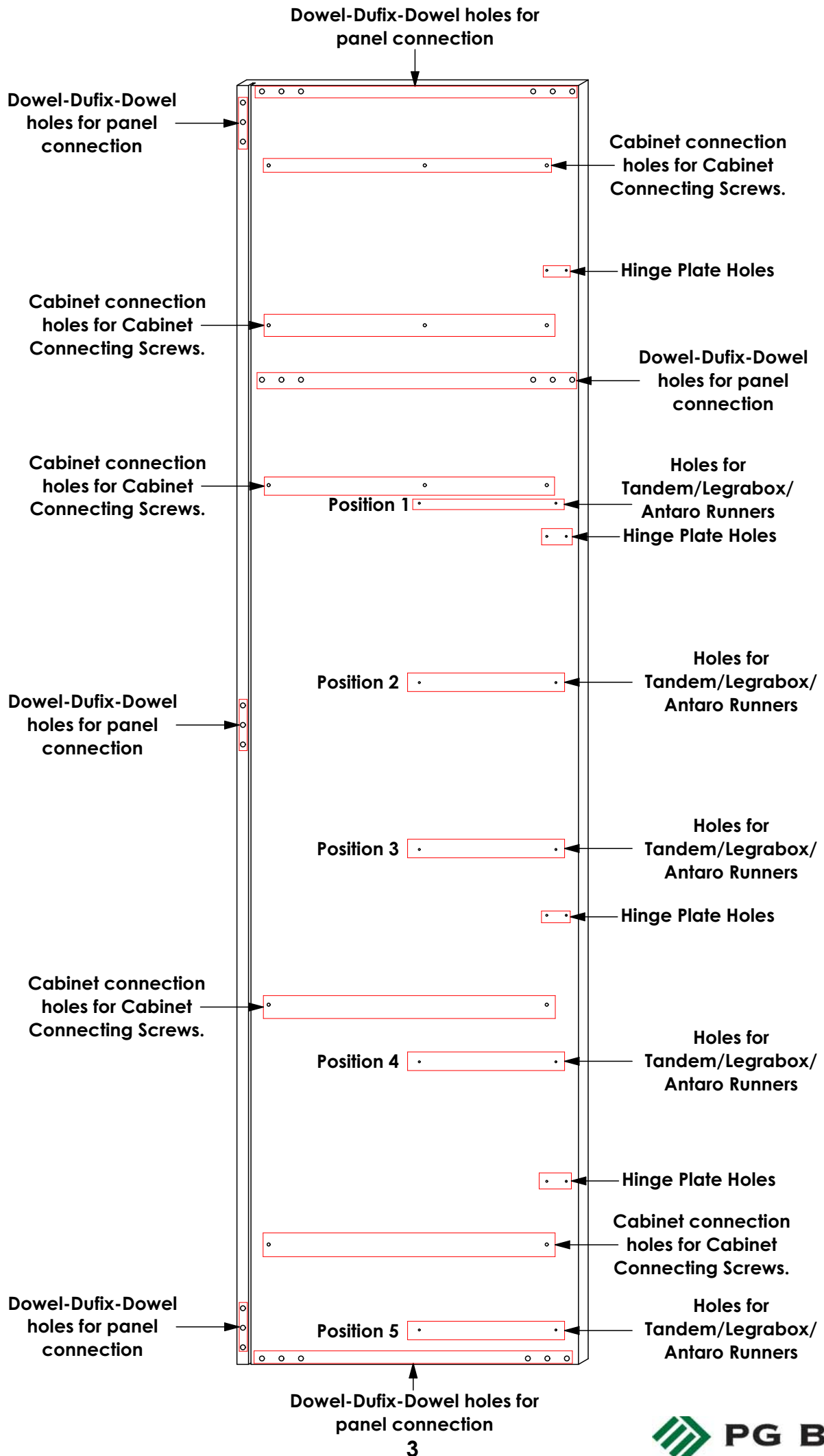
## GENERAL INSTRUCTIONS

1. Confirm that all panels (9) are in the package before assembling.
2. Check the white sticker on each panel for the labelling (A, B, C, D, E, F, G, H & I).
3. Ensure that the panels are laid on a non-abrasive surface when assembling.
4. Note that all panel connections are done using the system described below.

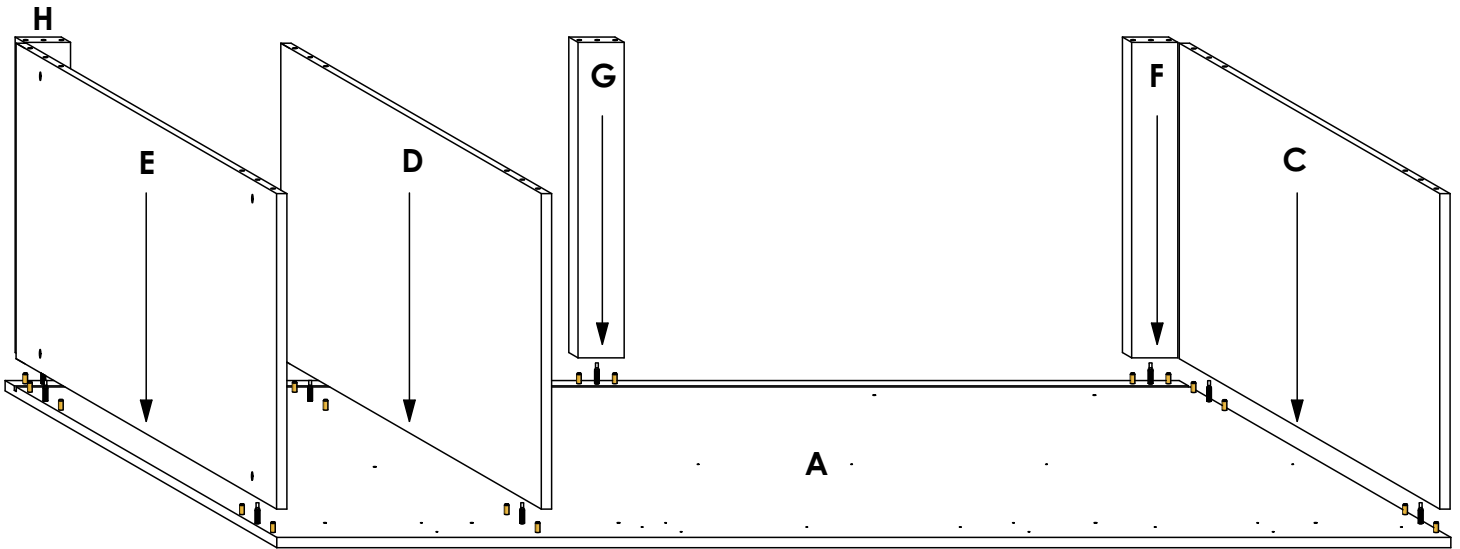
## PANEL CONNECTION AND FASTENING



# PILOT HOLES KEY FOR SIDE PANELS

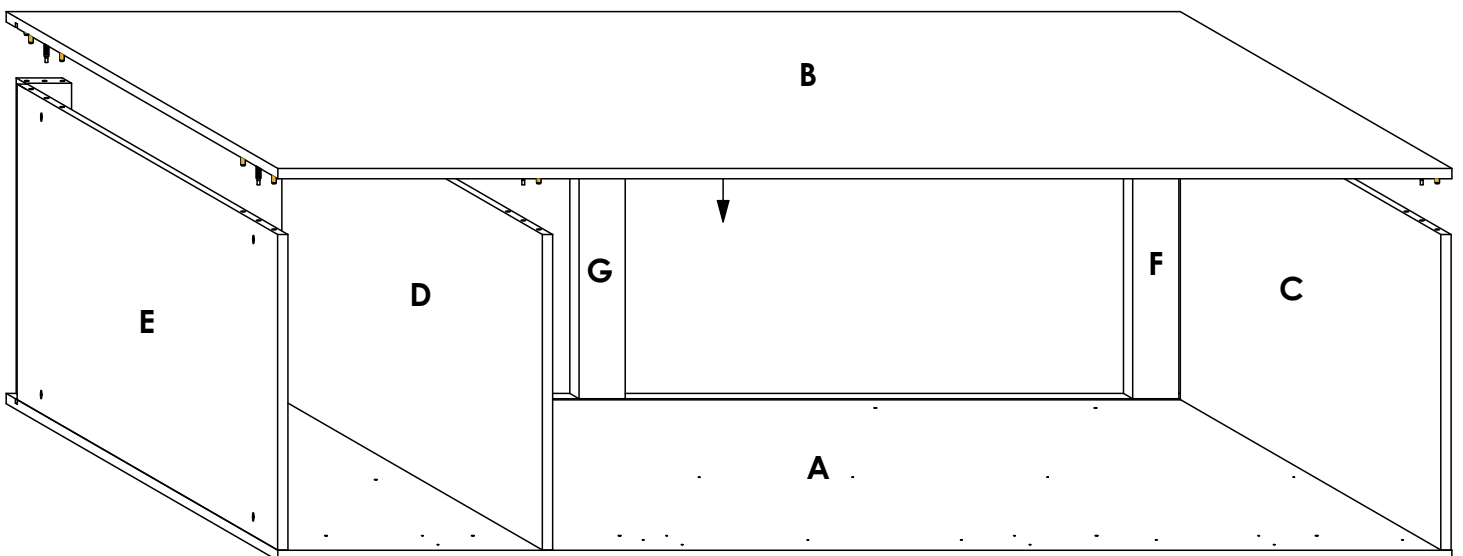


# STEP 1



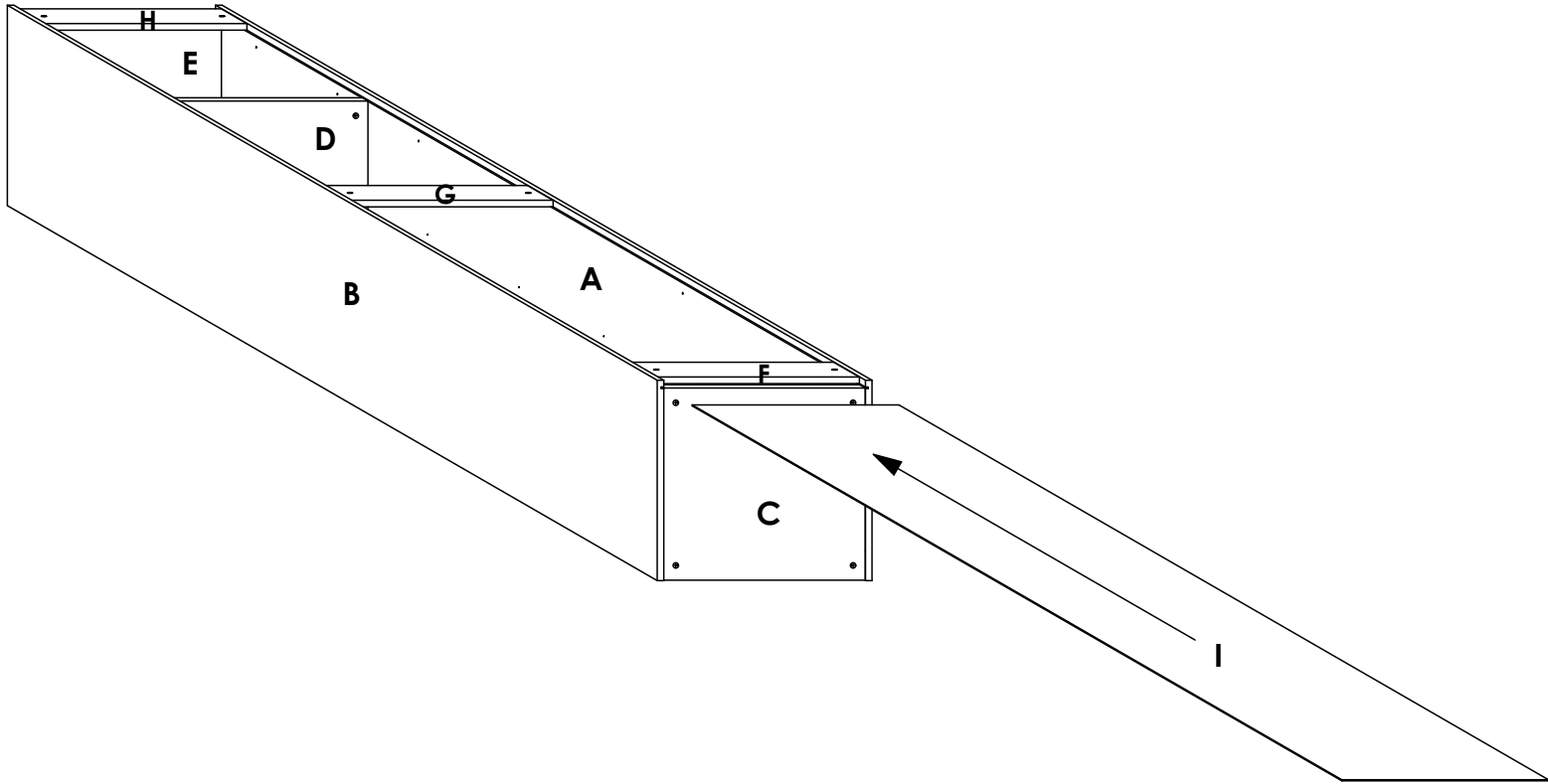
Connect panels **C, D, E, F, G & H** to panel **A** as shown. Refer to the holes and/or grooves on the diagram to determine the panel orientation.

# STEP 2



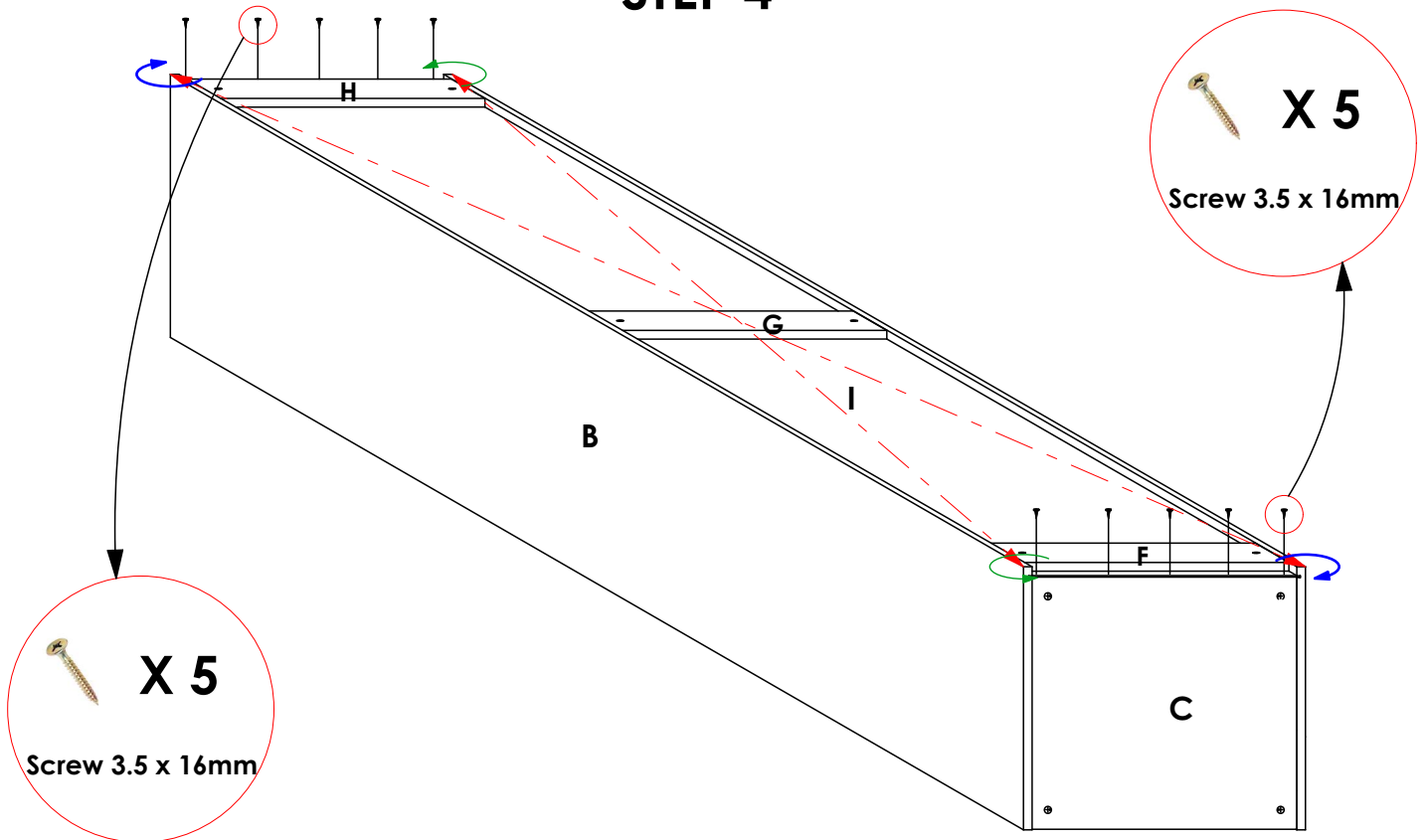
Connect panel **B** to panels **C, D, E, F, G & H** as shown. Refer to the holes and/or grooves on the diagram to determine the panel orientation.

## STEP 3



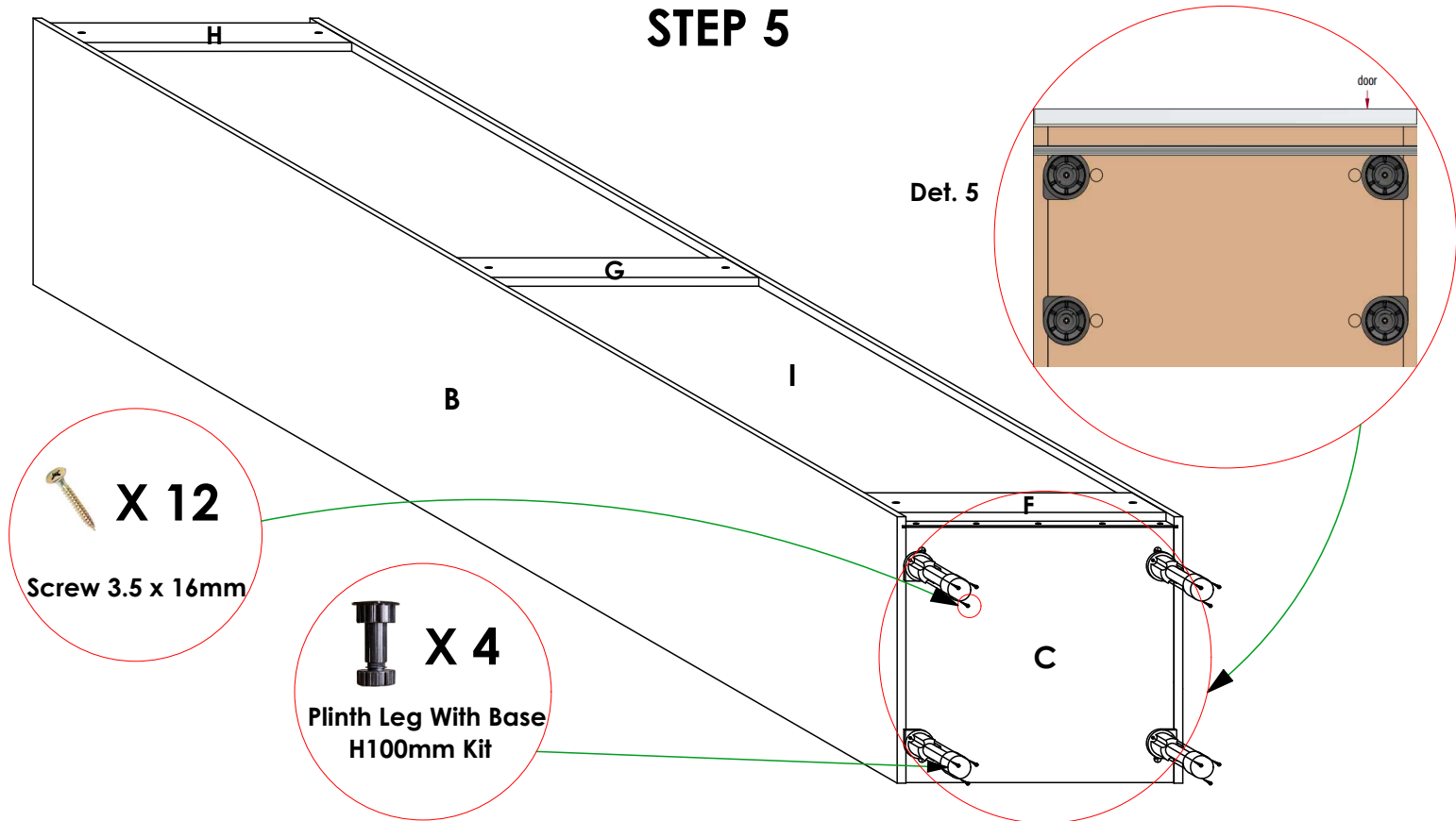
Slide the 3mm panel (I) into the groove on panels **A & B** with the finished side facing down. Refer to the holes and/or grooves on the diagram to determine the panel orientation.

## STEP 4



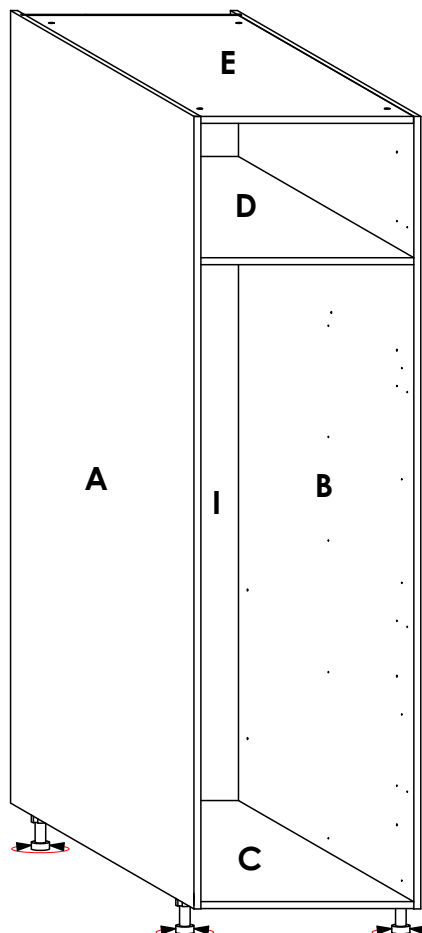
First, **check the diagonal** of the cabinet by measuring the two distances indicated by the broken lines. They should be equal. If not, twist the cabinet accordingly in the diagonal corners as shown until an equal value is achieved. After, secure panel **I** to panels **C & E** as shown using **Screw 3.5 X 16mm**.

## STEP 5



Place the four units of **Leg Adjustable Base 100mm** in the shown positions, aligning with the pre-drilled pilot holes on panel **C**. Ensure that the orientation is as shown in **Det. 5**. Using **Screw 3.5 X 16mm**, secure the legs onto panel **C**.

## STEP 6



Flip the cabinet upright, place it in the desired position and adjust its height by rotating the base of the legs as shown to level.