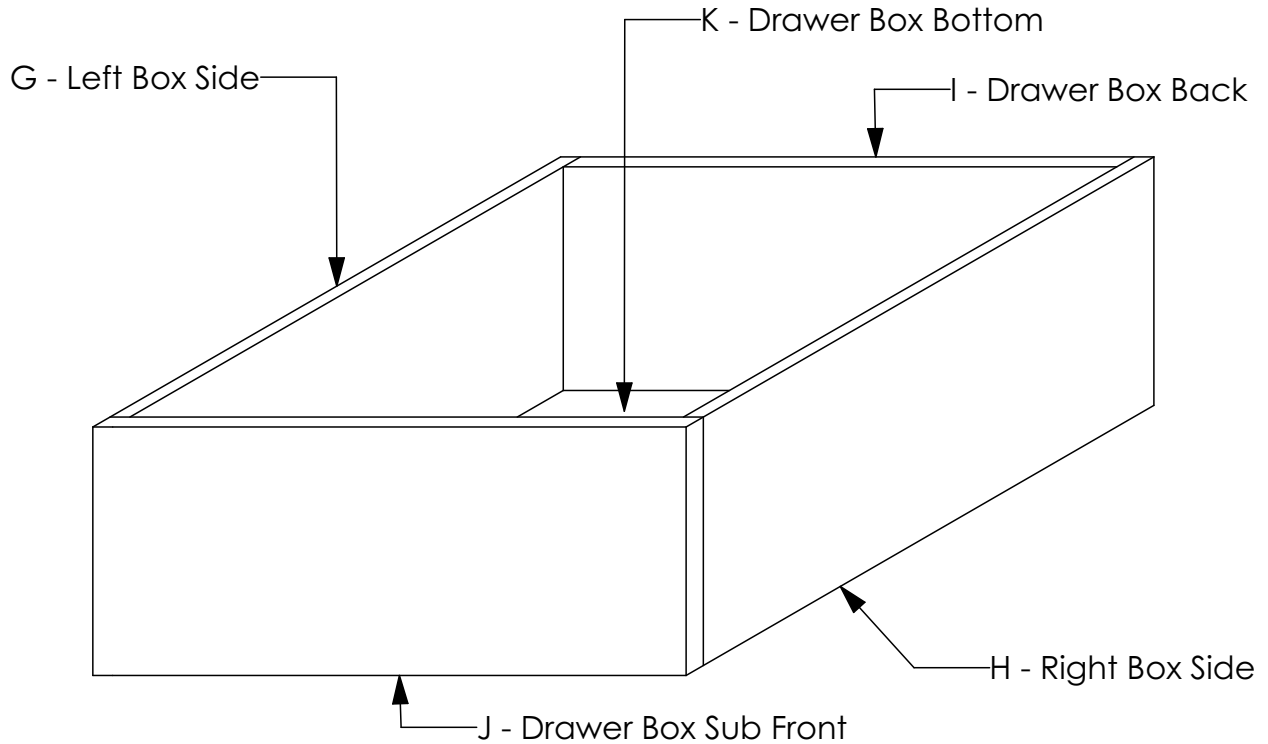


BLUM FLATPAX KITCHEN RANGE ASSEMBLY GUIDE

TANDEM WOODEN DRAWER BOX HEIGHT 3



TOTAL NUMBER OF PANELS: 5

HARDWARE

PRODUCT	QTY	IMAGE
Sys5 Quickfit TL2 Dowel 8 x 34	8	
Sys5 Cam 3000 15 x 14 mm	8	
Wooden Dowel	4	
Screw 3.5 x 16mm	12	
Screw 4.0 x 30mm	2	
Tandem Blumotion Single Extension For 18mm 500mm Left&Right	1	
Tandem Locking Device Left & Right	2	
Front Adjustment Bracket Knock In	2	
Dome Screw M4 x 25	2	

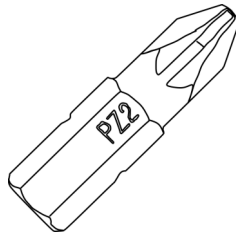
TOOLS REQUIRED



Screw Driver
(Pozi Drive Head)



Cordless Drill



Pozi Bit (PZ2)



8mm Drill Bit

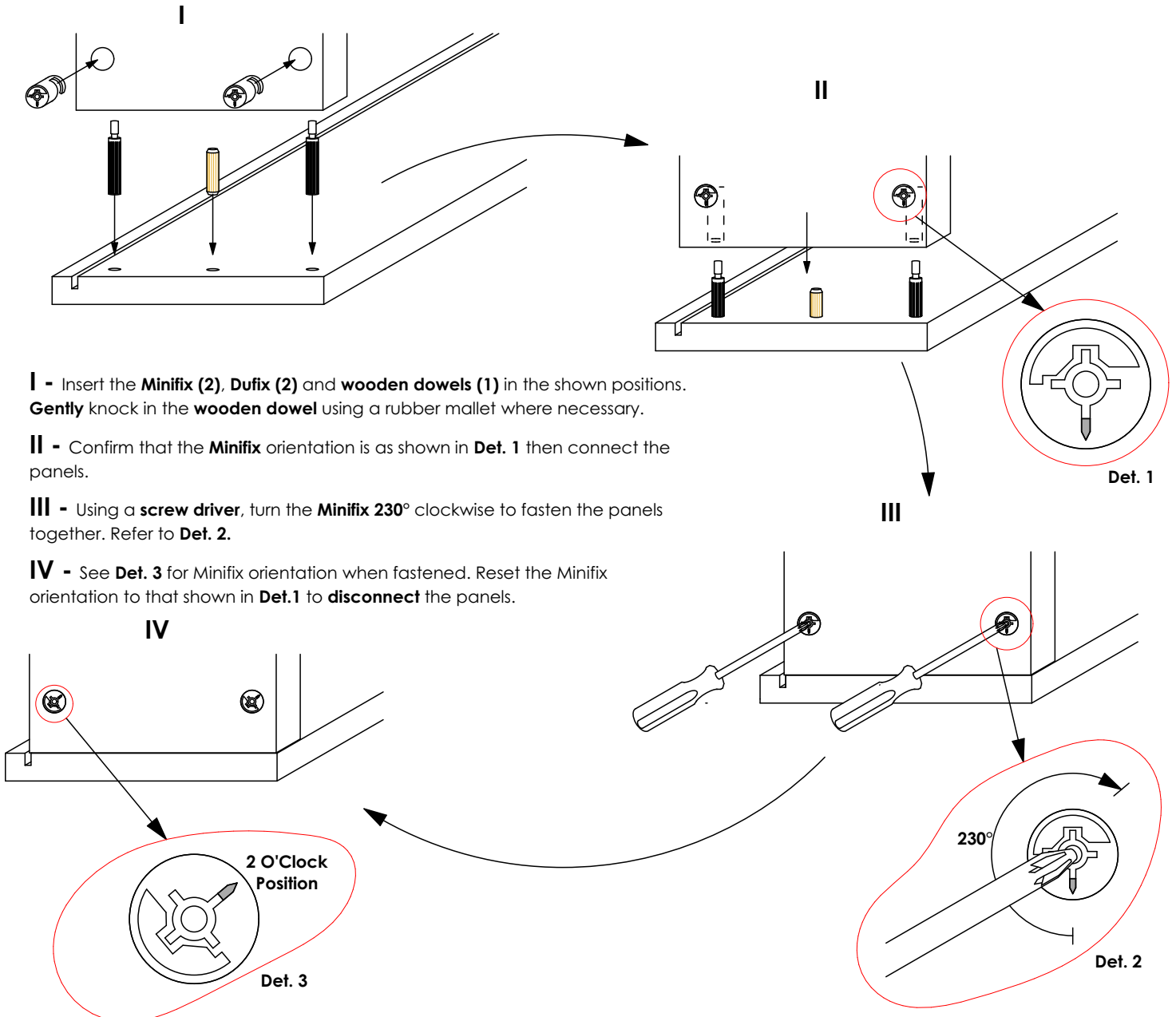


Rubber Mallet

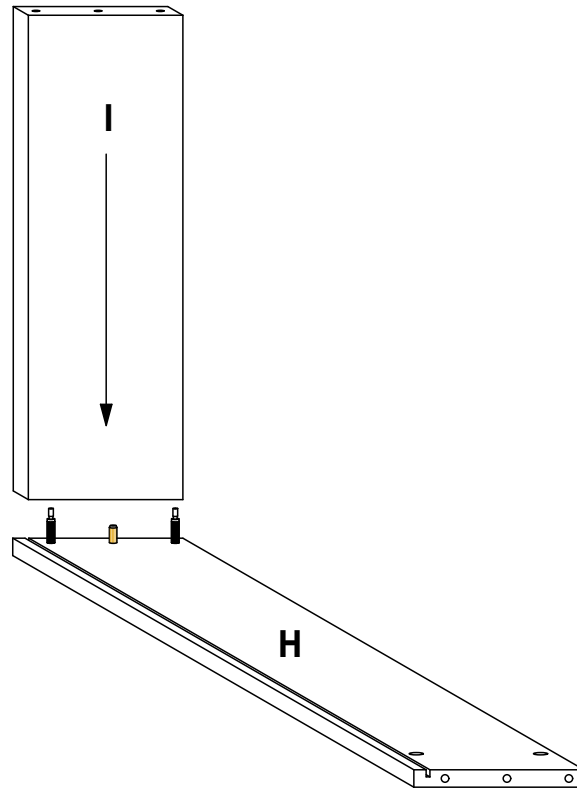
GENERAL INSTRUCTIONS

1. Confirm that all panels (5) are in the package before assembling.
2. Check the white sticker on each panel for the labelling (G, H, I, J & K).
3. Ensure that the panels are laid on a non-abrasive surface when assembling.
4. Note that all panel connections are done using the system described below.

PANEL CONNECTION AND FASTENING

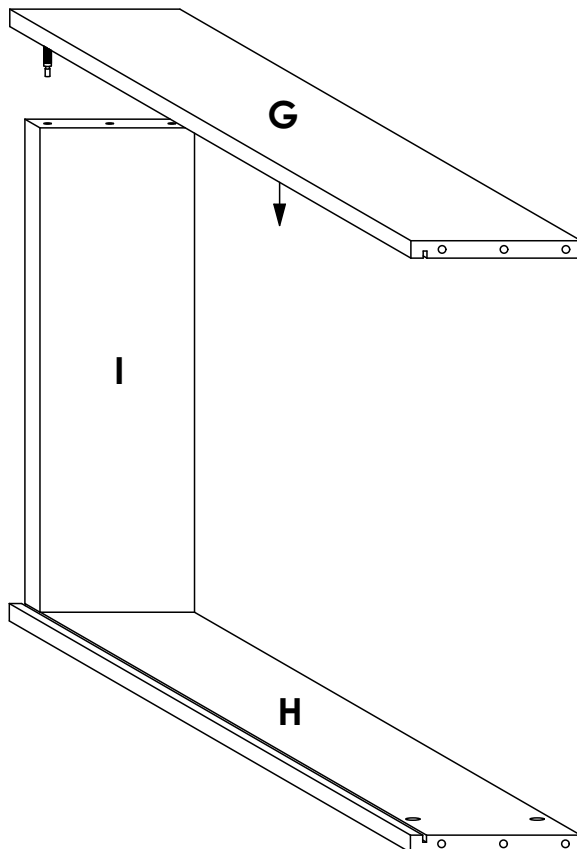


STEP 1



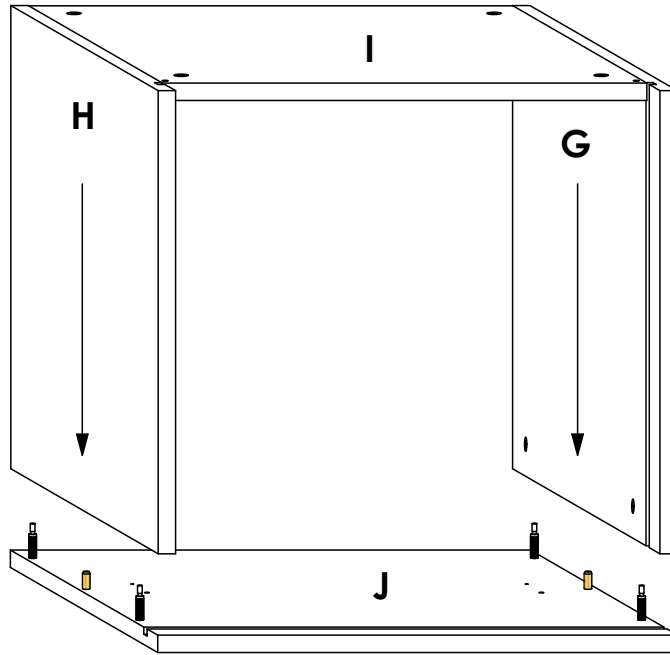
Connect panel **I** to panel **H** as shown. Refer to the holes and/or grooves on the diagram to determine the panel orientation.

STEP 2



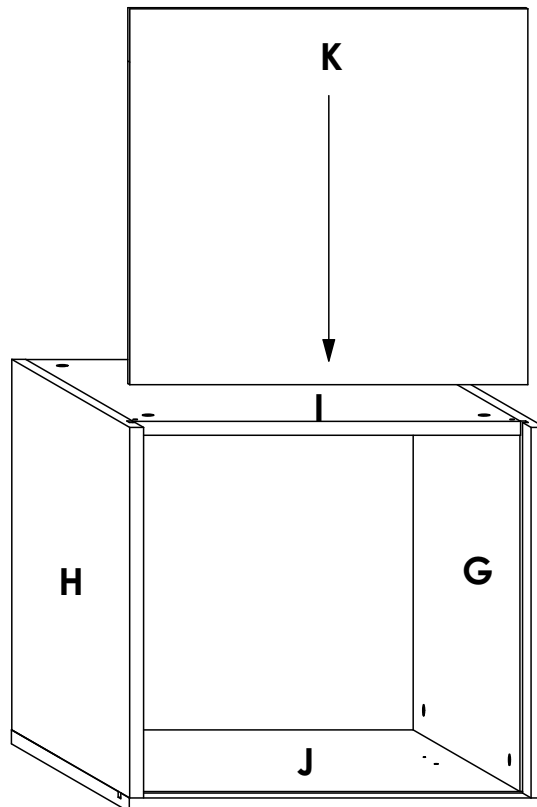
Connect panel **G** to panel **I** as shown. Refer to the holes and/or grooves on the diagram to determine the panel orientation.

STEP 3



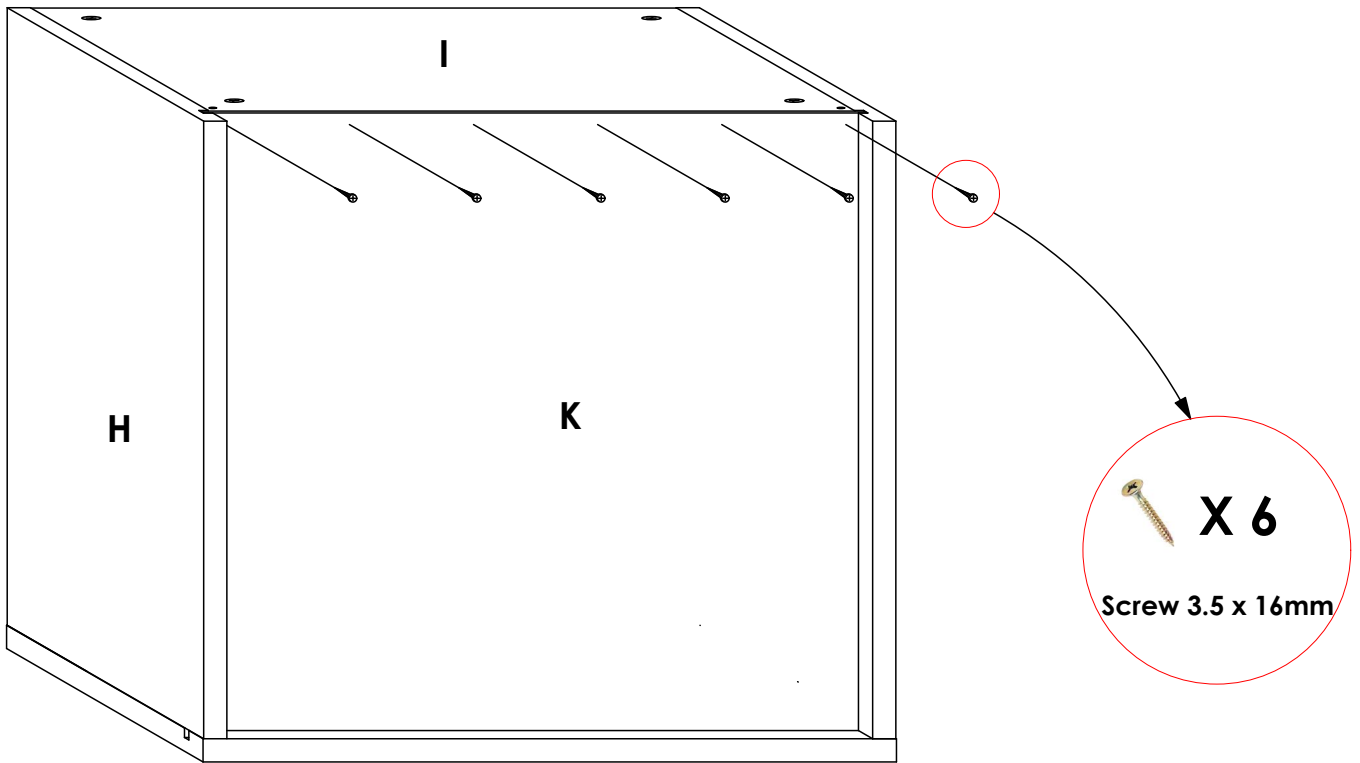
Connect panels **H & G** to panel **J** as shown. Refer to the holes and/or grooves on the diagram to determine the panel orientation.

STEP 4



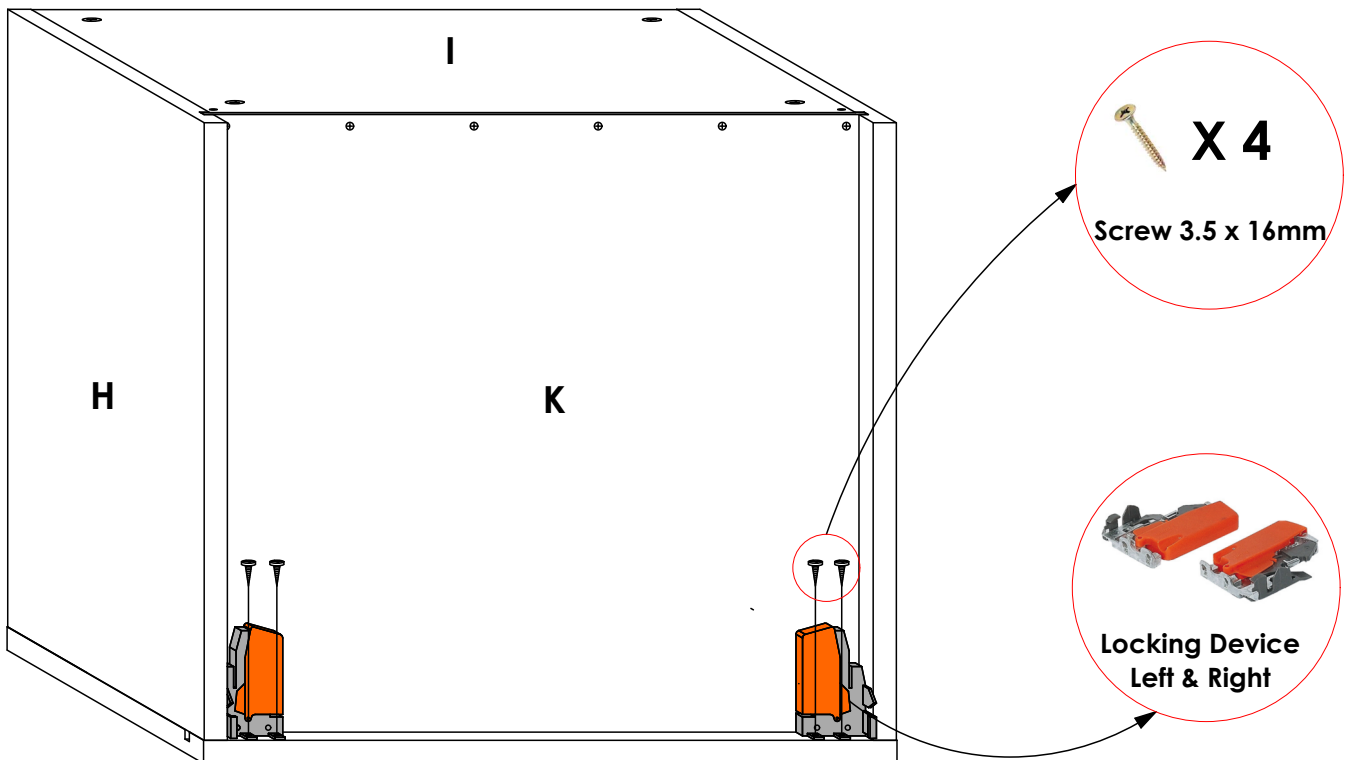
Slide **3mm** panel **K** through the grooves on panels **H & G** and into the groove on panel **J** as shown. Refer to the holes and/or grooves on the diagram to determine the panel orientation.

STEP 5



Secure the **3mm** panel **K** onto panel **I** using **Screw 3.5 x 16mm**. Refer to the holes and/or grooves on the diagram to determine the panel orientation.

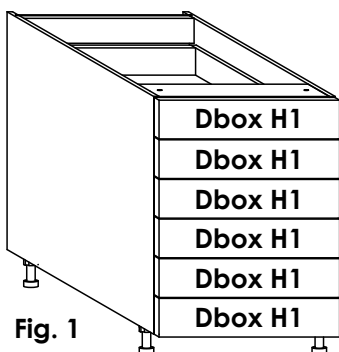
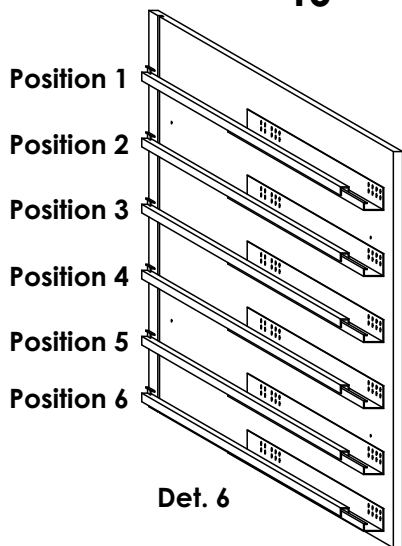
STEP 6



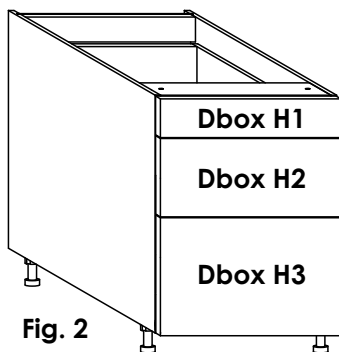
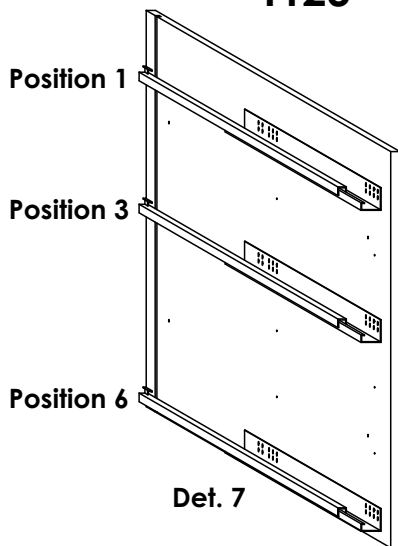
Place the **Tandem Locking Devices** in the shown positions, aligning them with the pre-drilled pilot holes. Secure the **locking devices** onto panel **J** using **Screw 3.5 x 16mm**.

STEP 7

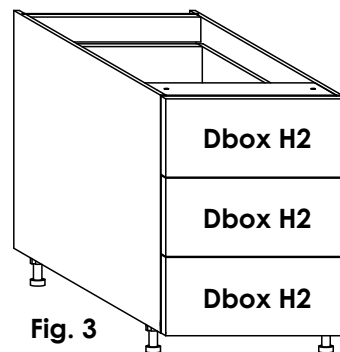
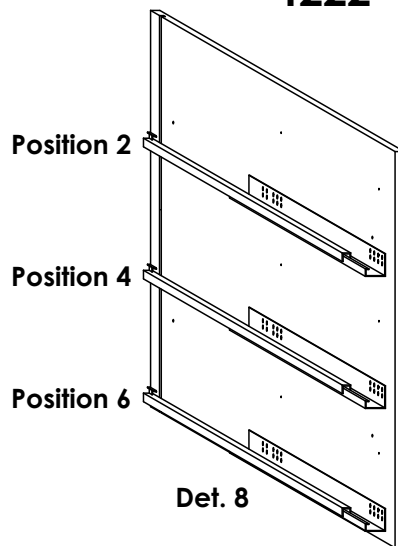
T6



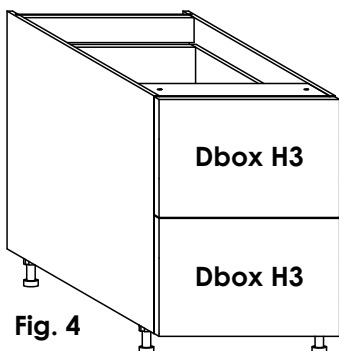
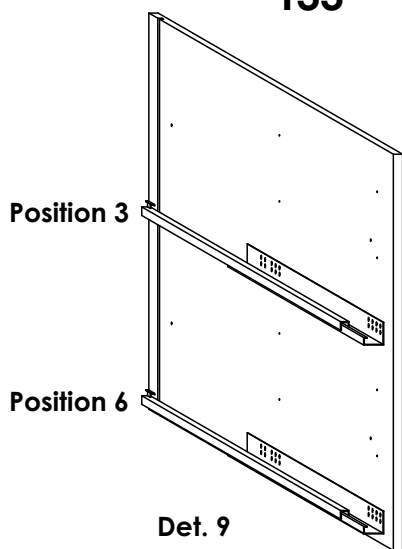
T123



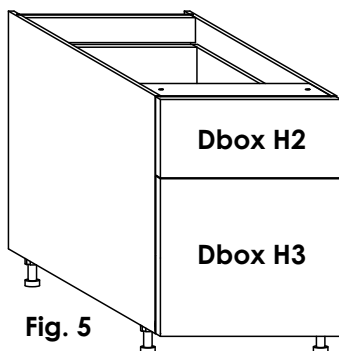
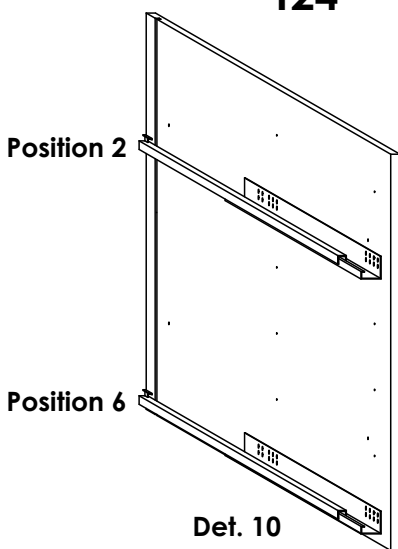
T222



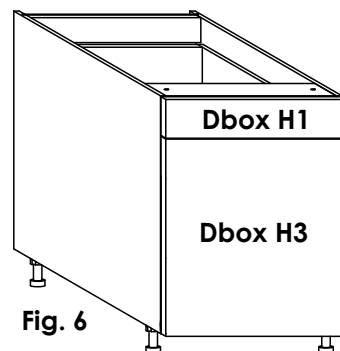
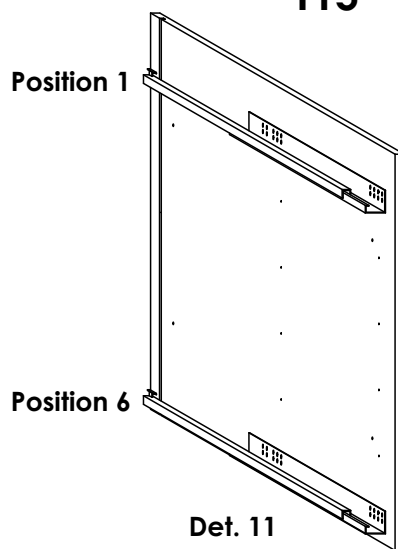
T33



T24

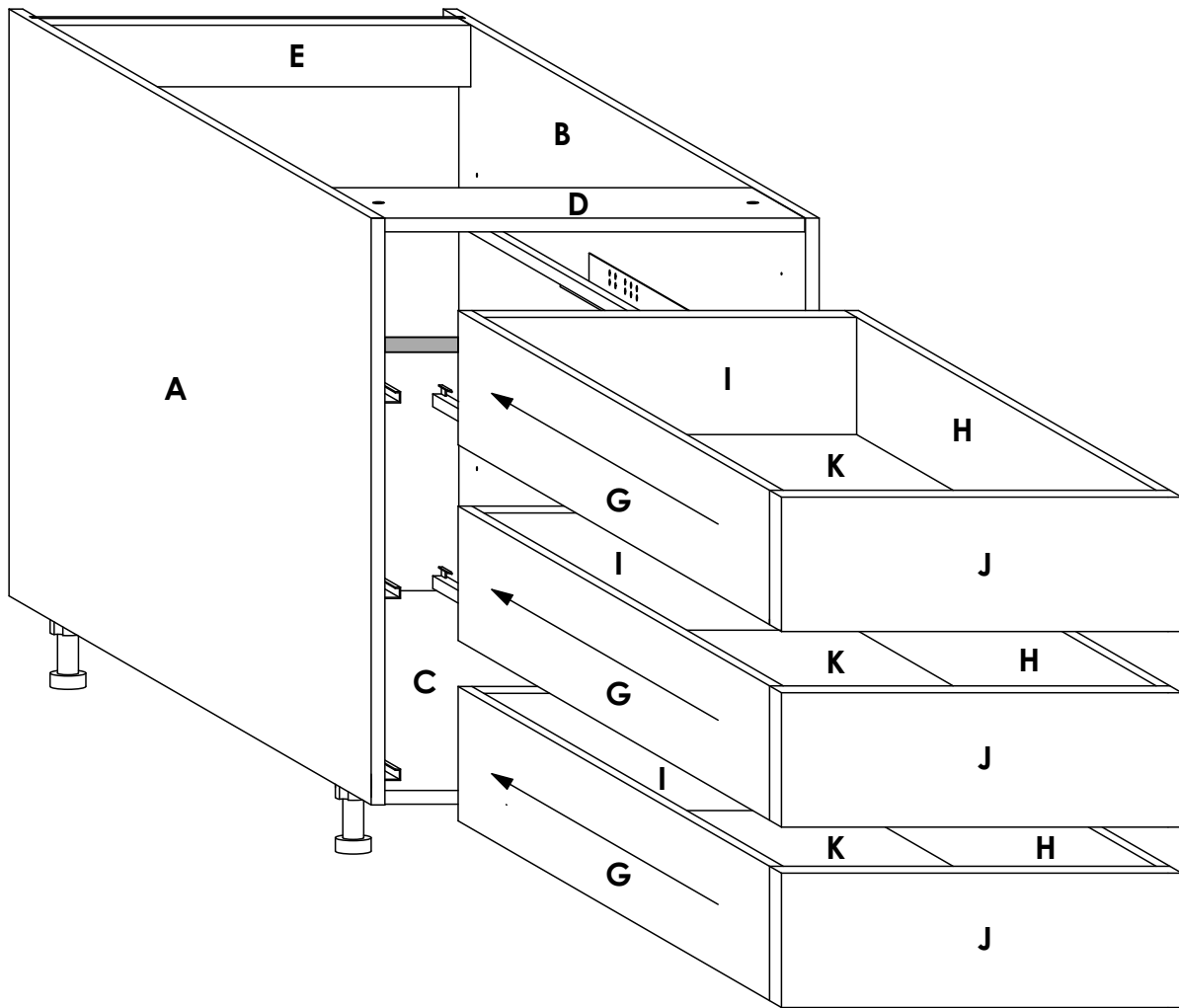


T15



Using **Screw 3.5 x 16mm**, connect the **Tandem Runners** to **Panels A & B** of the **Drawer Cabinets**. Confirm the desired configuration from **Fig. 1-6** and connect the runners in the corresponding positions shown in **Det. 6-11**. See **Pilot Hole Key on Drawer Cabinets Assembly Guide** for runner hole and pilot hole alignment. Use four more screws to reinforce the runners after fastening in the alignment positions. Also, from **fig. 1-6**, note the **specific Drawer Box Heights** that go into each configuration.

STEP 8



Slide in the Drawer Boxes all the way in with the Drawer Box Bottom (Panel **K**) sitting on the Tandem Runners. Confirm that the **Tandem runners** hook into the holes at the back of Panel **I** and snap into the **Locking devices** connected on panel **J**. See the Door and Dummy Panel Installation guide for further instructions (Installation of Drawer Fronts).