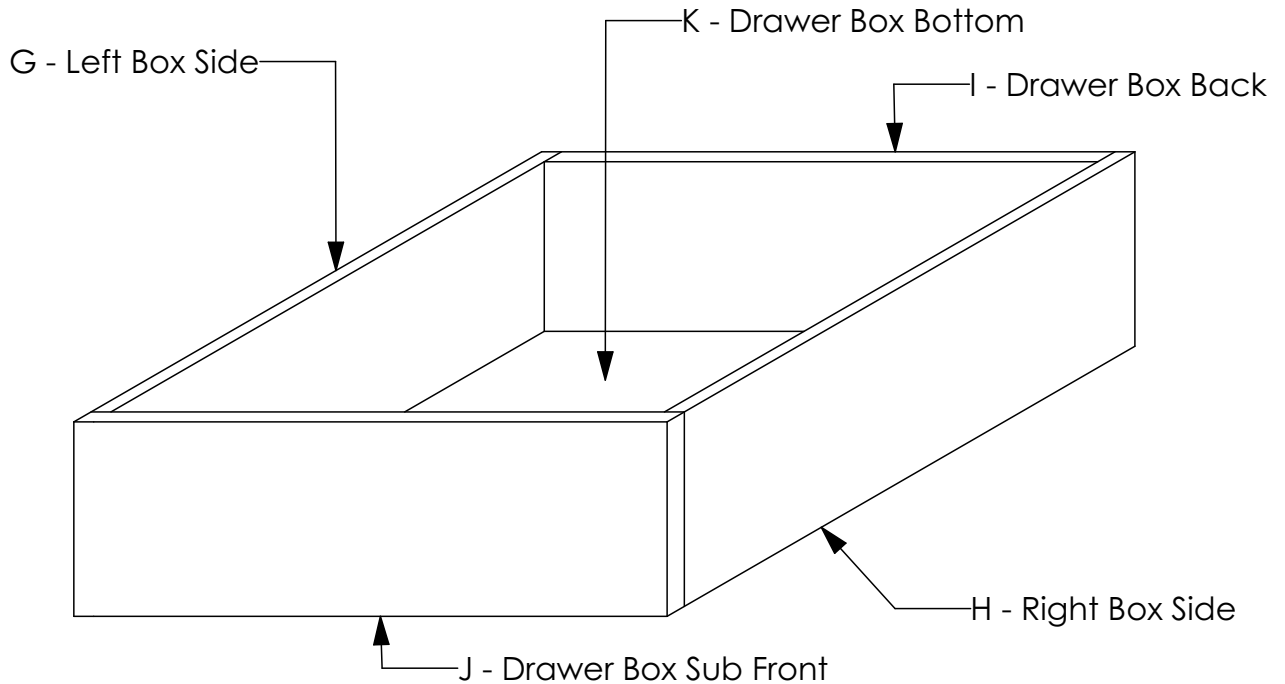



# BLUM FLATPAX KITCHEN RANGE ASSEMBLY GUIDE

## TANDEM WOODEN DRAWER BOX HEIGHT 2



**TOTAL NUMBER OF PANELS: 5**

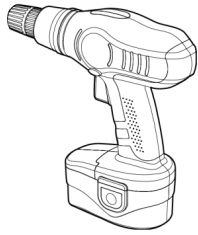
### HARDWARE

PRODUCT	QTY	IMAGE
Sys5 Quickfit TL2 Dowel 8 x 34	8	
Sys5 Cam 3000 15 x 14 mm	8	
Wooden Dowel	4	
Screw 3.5 x 16mm	12	
Screw 4.0 x 30mm	2	
Tandem Blumotion Single Extension For 18mm 500mm Left&Right	1	
Tandem Locking Device Left & Right	2	
Front Adjustment Bracket Knock In	2	
Dome Screw M4 x 25	2	

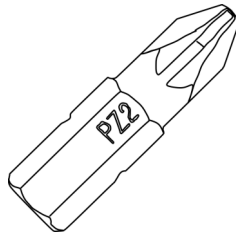
# TOOLS REQUIRED



Screw Driver  
(Pozi Drive Head)



Cordless Drill



Pozi Bit (PZ2)



8mm Drill Bit

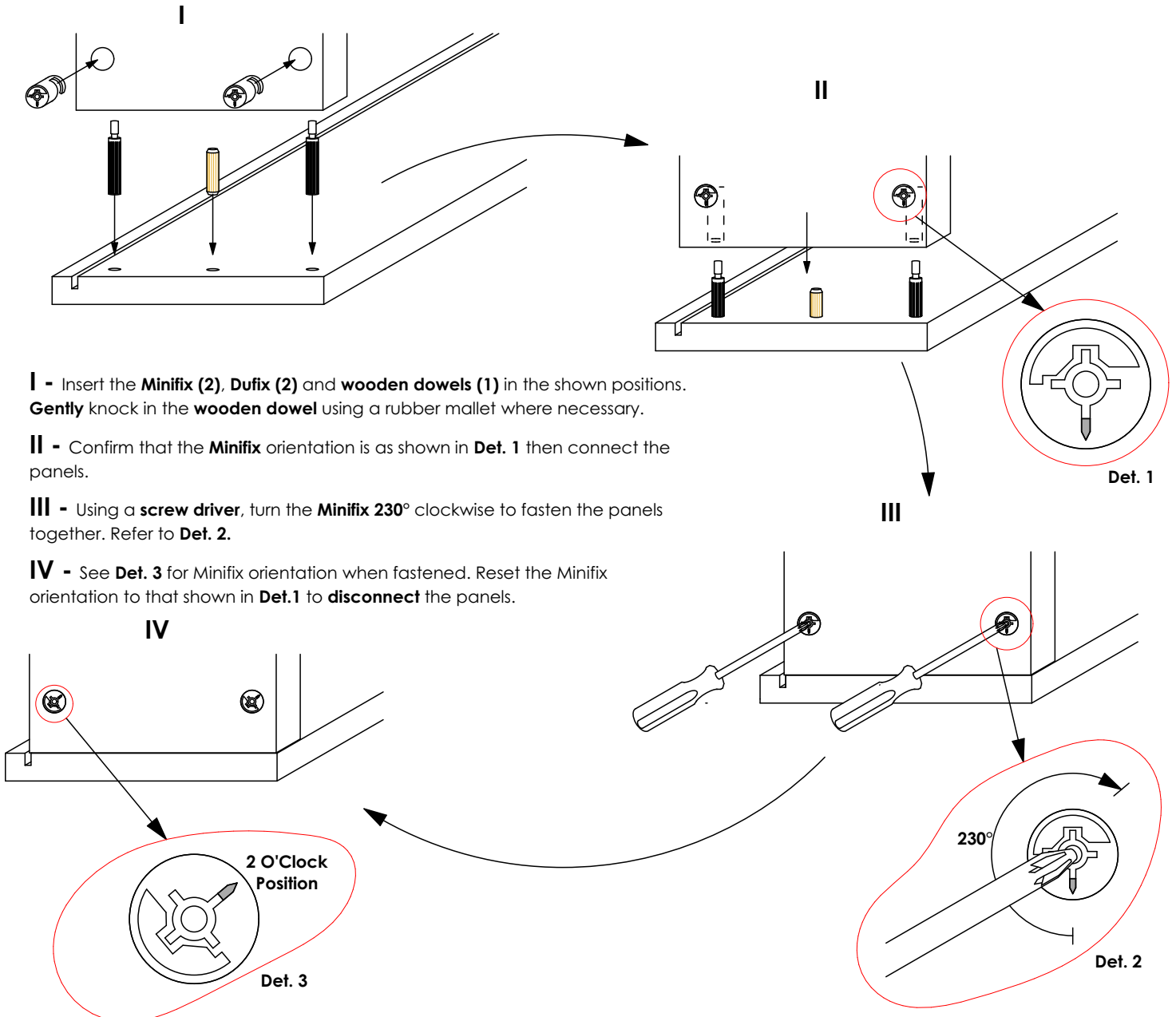


Rubber Mallet

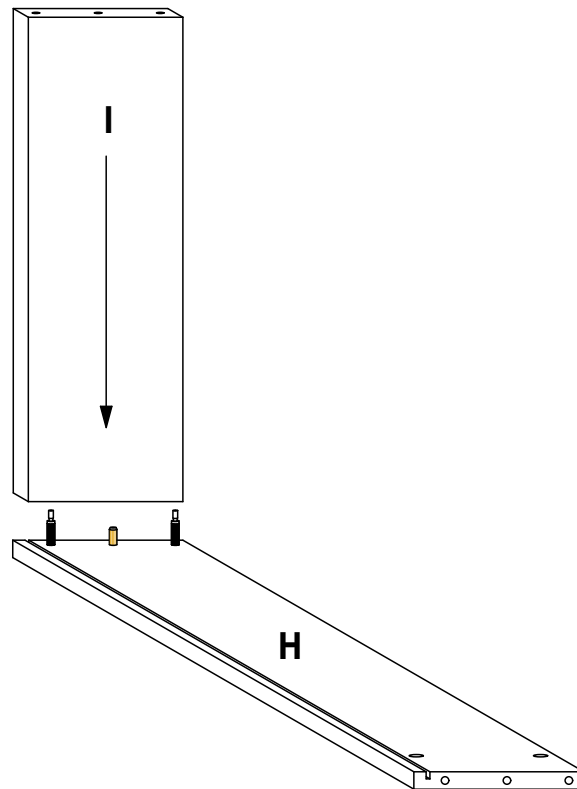
## GENERAL INSTRUCTIONS

1. Confirm that all panels (5) are in the package before assembling.
2. Check the white sticker on each panel for the labelling (G, H, I, J & K).
3. Ensure that the panels are laid on a non-abrasive surface when assembling.
4. Note that all panel connections are done using the system described below.

## PANEL CONNECTION AND FASTENING

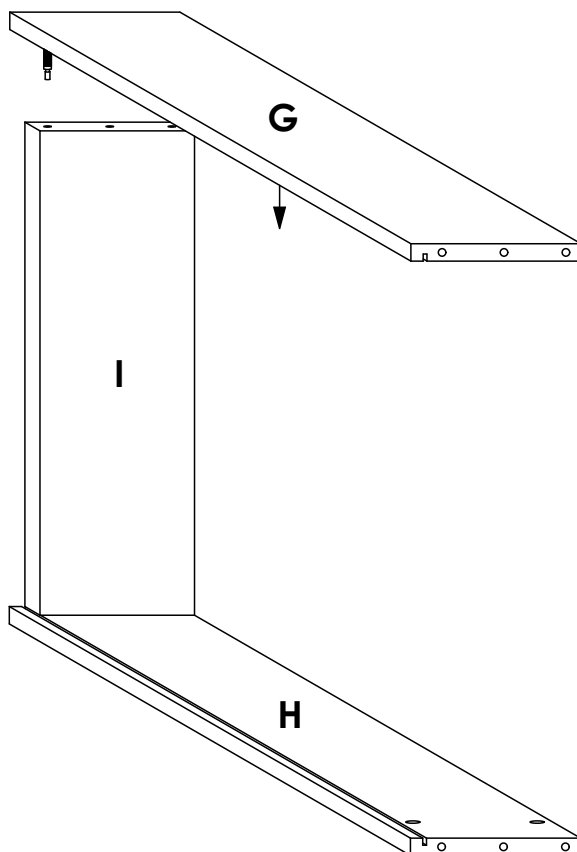


## STEP 1



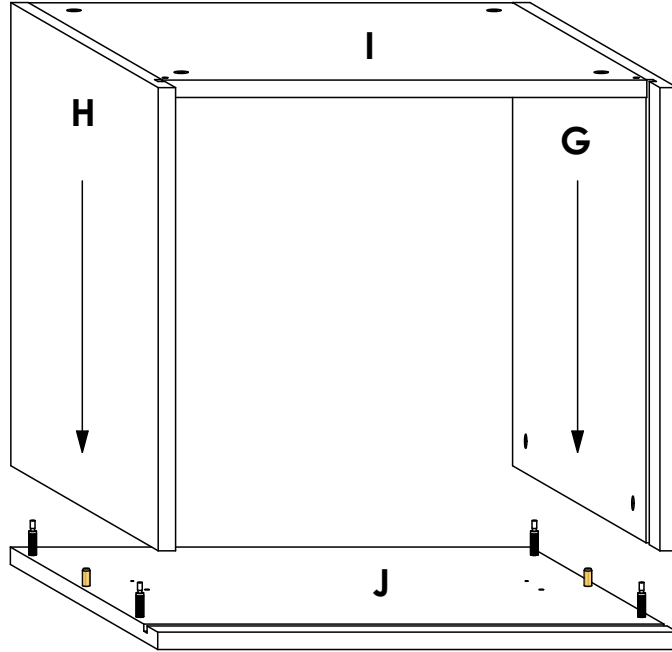
Connect panel **I** to panel **H** as shown. Refer to the holes and/or grooves on the diagram to determine the panel orientation.

## STEP 2



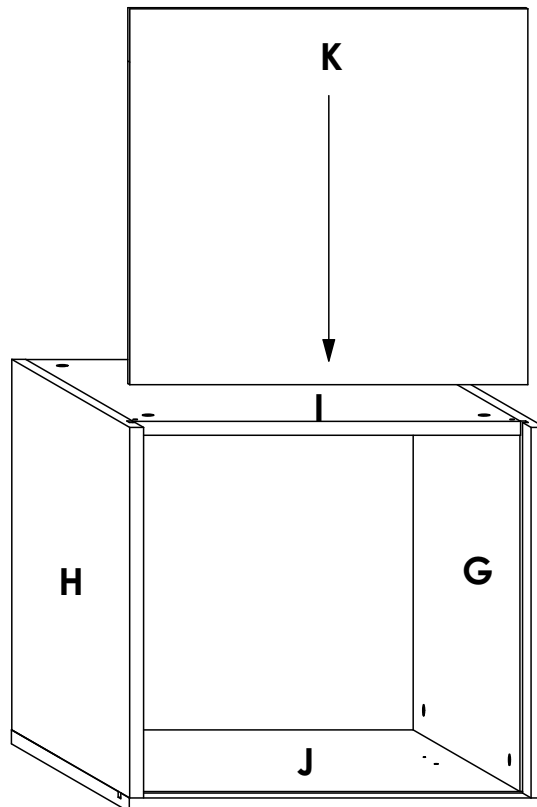
Connect panel **G** to panel **I** as shown. Refer to the holes and/or grooves on the diagram to determine the panel orientation.

## STEP 3



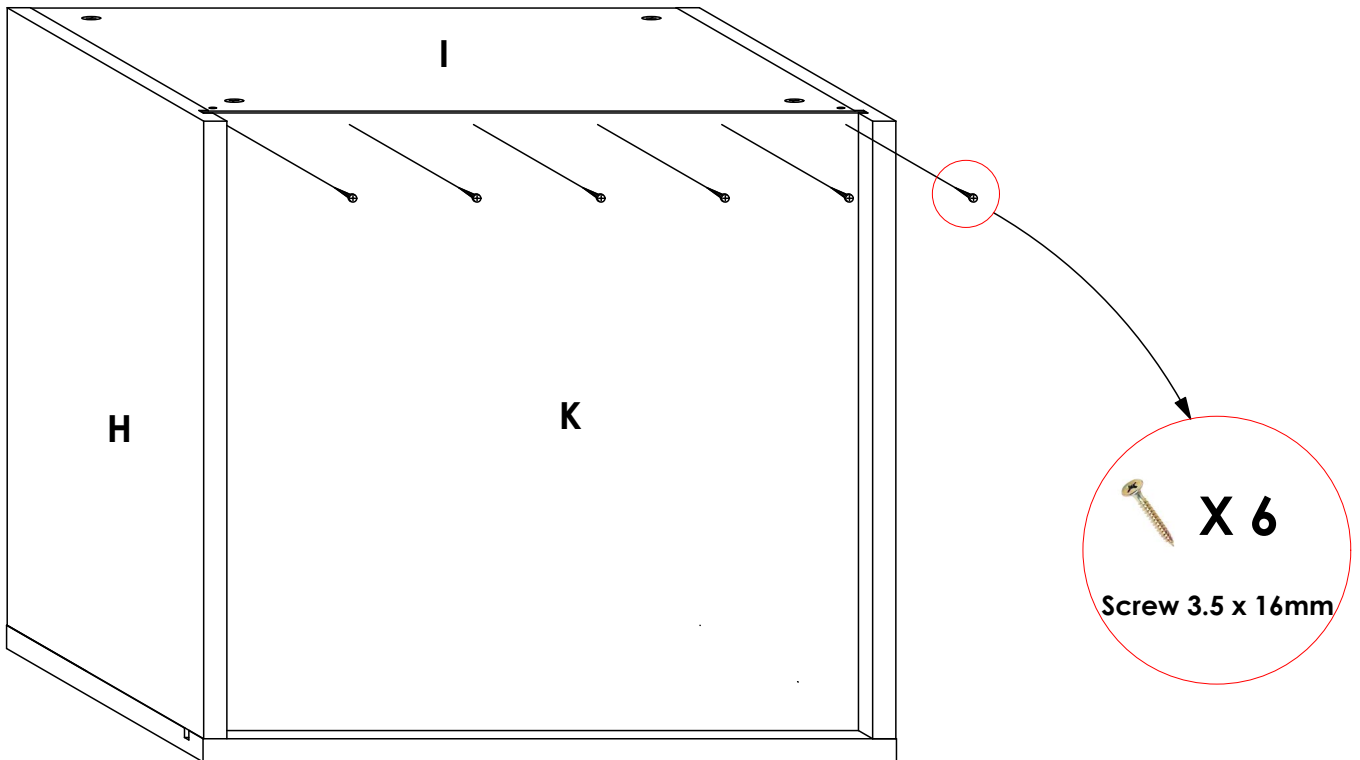
Connect panels **H & G** to panel **J** as shown. Refer to the holes and/or grooves on the diagram to determine the panel orientation.

## STEP 4



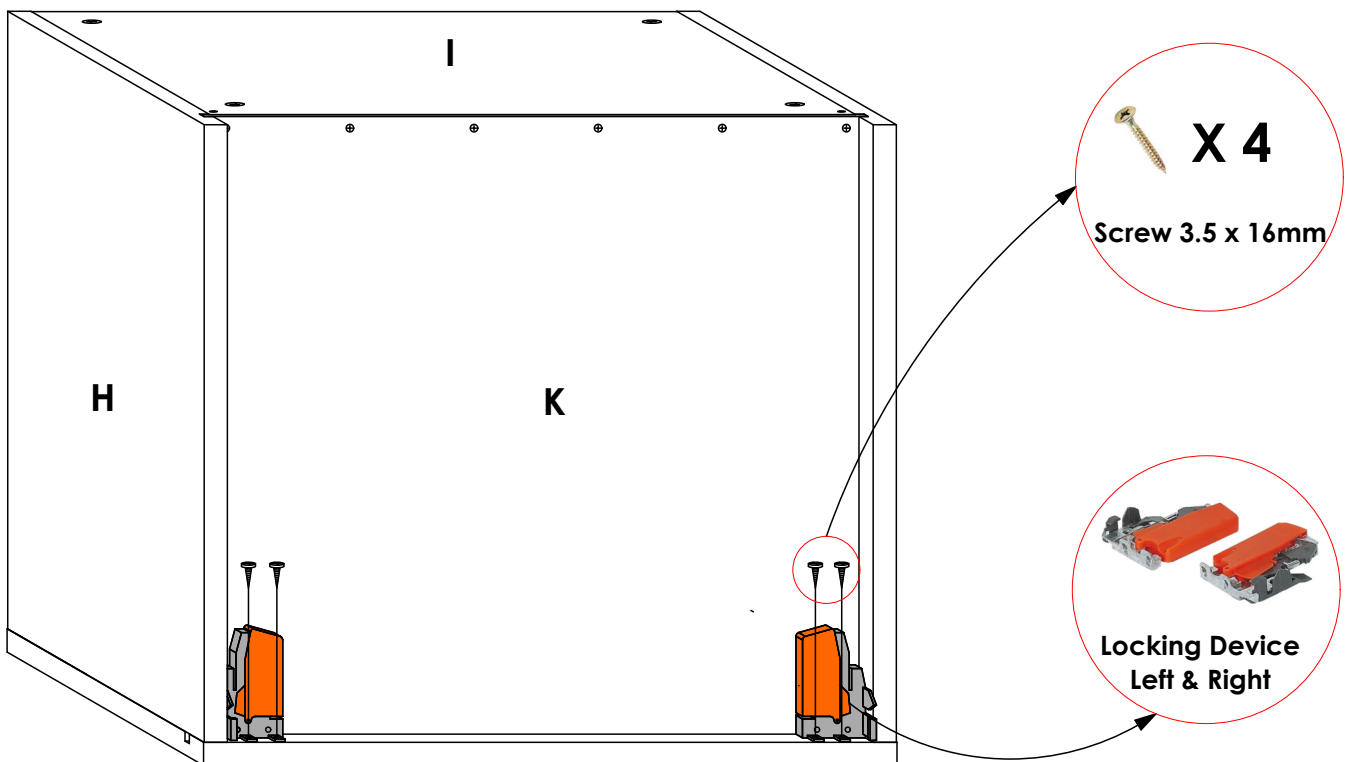
Slide **3mm** panel **K** through the grooves on panels **H & G** and into the groove on panel **J** as shown. Refer to the holes and/or grooves on the diagram to determine the panel orientation.

## STEP 5



Secure the **3mm** panel **K** onto panel **I** using **Screw 3.5 x 16mm**. Refer to the holes and/or grooves on the diagram to determine the panel orientation.

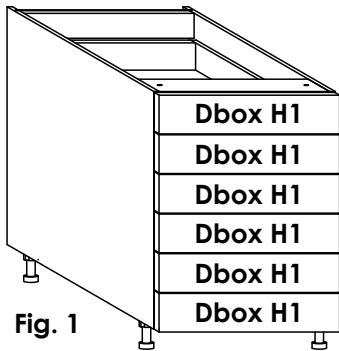
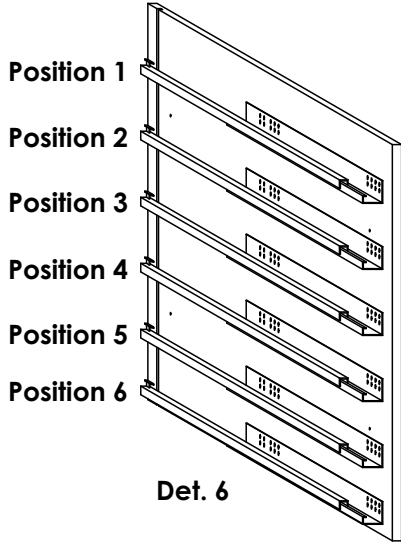
## STEP 6



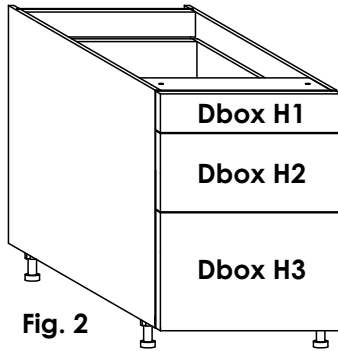
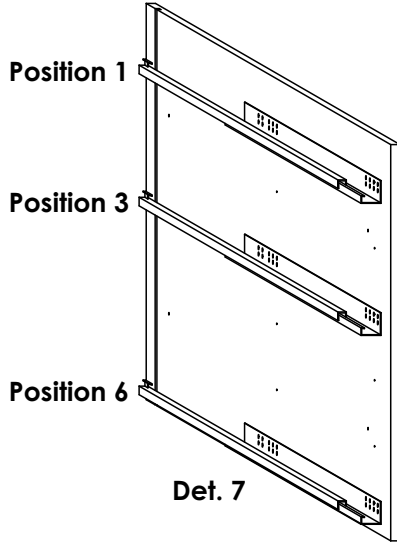
Place the **Tandem Locking Devices** in the shown positions, aligning them with the pre-drilled pilot holes. Secure the **locking devices** onto panel **J** using **Screw 3.5 x 16mm**.

# STEP 7

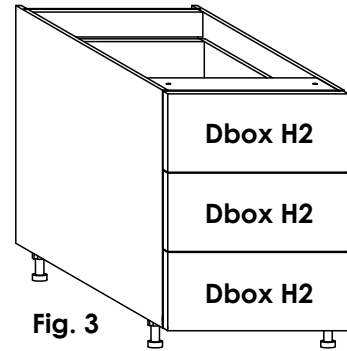
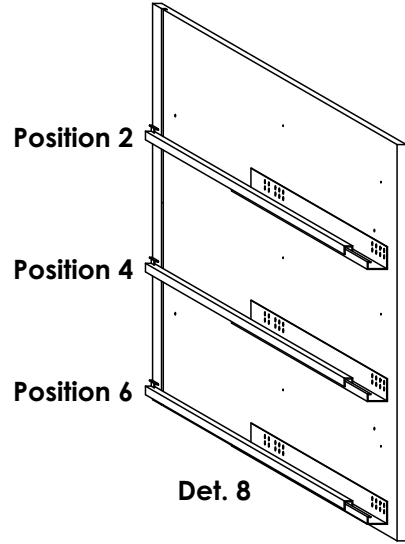
**T6**



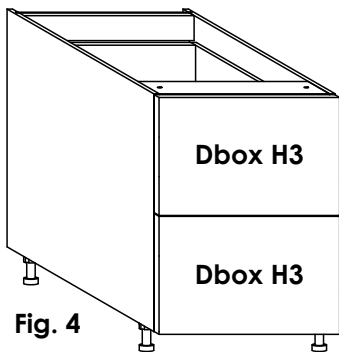
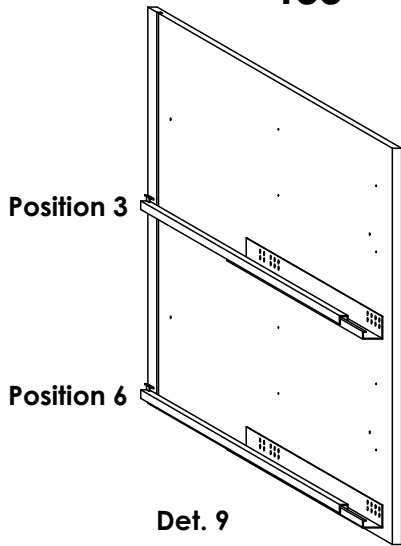
**T123**



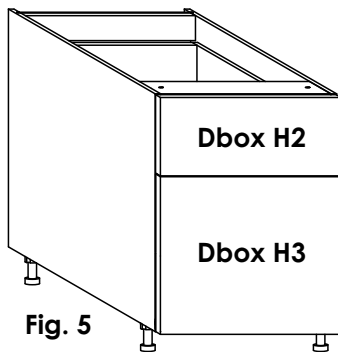
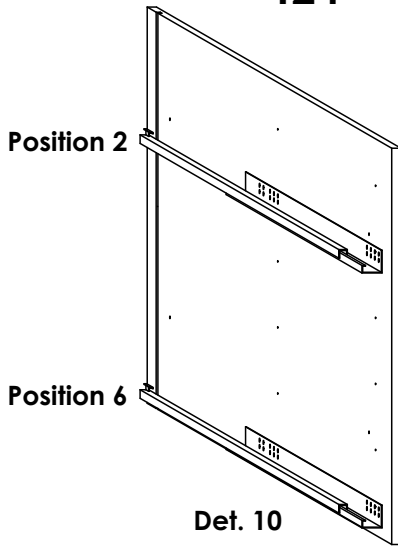
**T222**



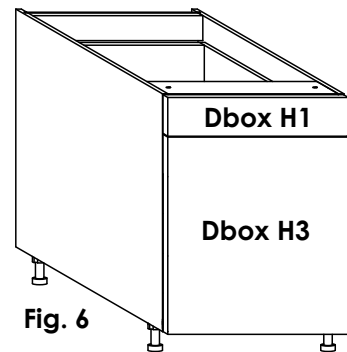
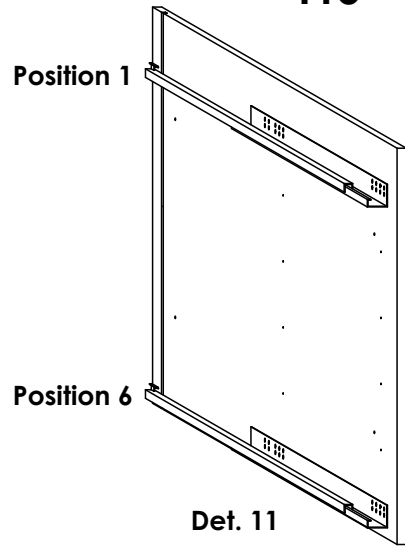
**T33**



**T24**

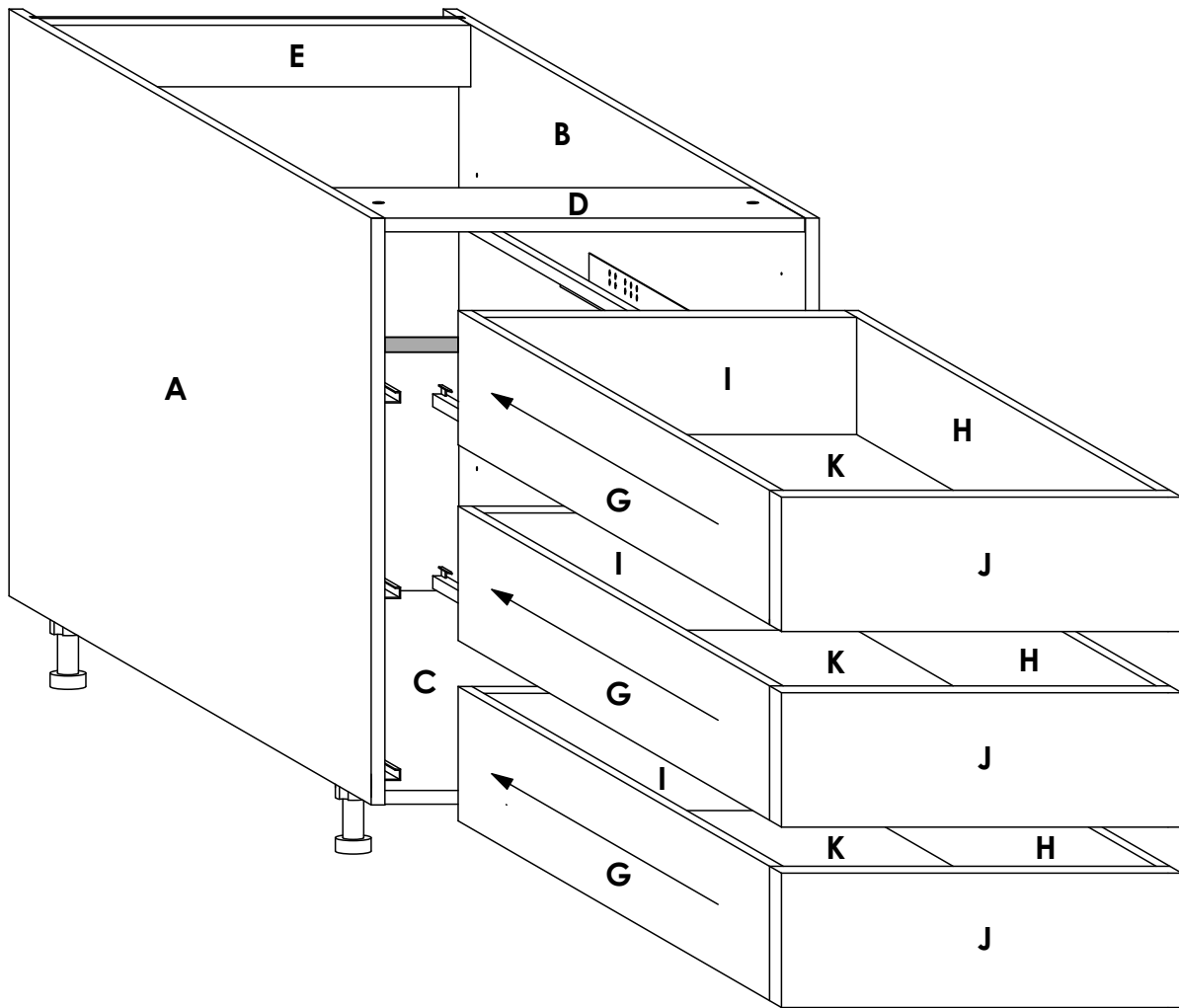


**T15**



Using **Screw 3.5 x 16mm**, connect the **Tandem Runners** to **Panels A & B** of the **Drawer Cabinets**. Confirm the desired configuration from **Fig. 1-6** and connect the runners in the corresponding positions shown in **Det. 6-11**. See **Pilot Hole Key on Drawer Cabinets Assembly Guide** for runner hole and pilot hole alignment. Use four more screws to reinforce the runners after fastening in the alignment positions. Also, from **fig. 1-6**, note the **specific Drawer Box Heights** that go into each configuration.

## STEP 8



Slide in the Drawer Boxes all the way in with the Drawer Box Bottom (Panel **K**) sitting on the Tandem Runners. Confirm that the **Tandem runners** hook into the holes at the back of Panel **I** and snap into the **Locking devices** connected on panel **J**. See the Door and Dummy Panel Installation guide for further instructions (Installation of Drawer Fronts).