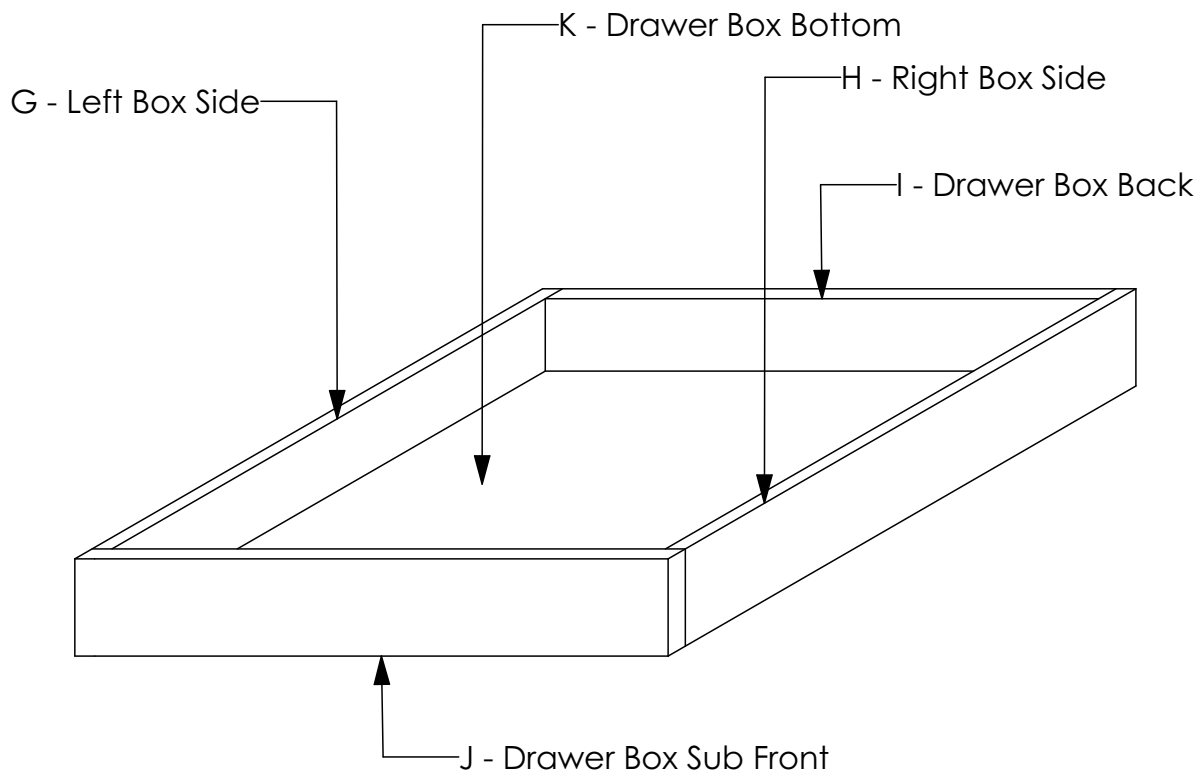


# BLUM FLATPAX KITCHEN RANGE

## ASSEMBLY GUIDE

### TANDEM WOODEN DRAWER BOX HEIGHT 1



**TOTAL NUMBER OF PANELS: 5**

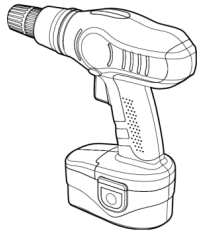
#### HARDWARE

| PRODUCT   | QTY | IMAGE   |
|---|-----|---|
| Sys5 Quickfit TL2 Dowel 8 x 34                              | 8   |  |
| Sys5 Cam 3000 15 x 14 mm                                    | 8   |  |
| Screw 3.5 x 16mm  | 12  |  |
| Screw 4.0 x 30mm  | 2   |  |
| Tandem Blumotion Single Extension For 18mm 500mm Left&Right | 1   |  |
| Tandem Locking Device Left & Right                          | 2   |  |
| Front Adjustment Bracket Knock In                           | 2   |  |
| Dome Screw M4 x 25  | 2   |  |

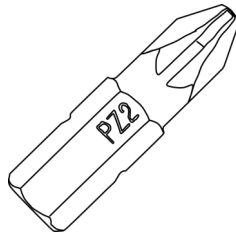
## TOOLS REQUIRED



Screw Driver  
(Pozi Drive Head)



Cordless Drill



Pozi Bit (PZ2)



8mm Drill Bit

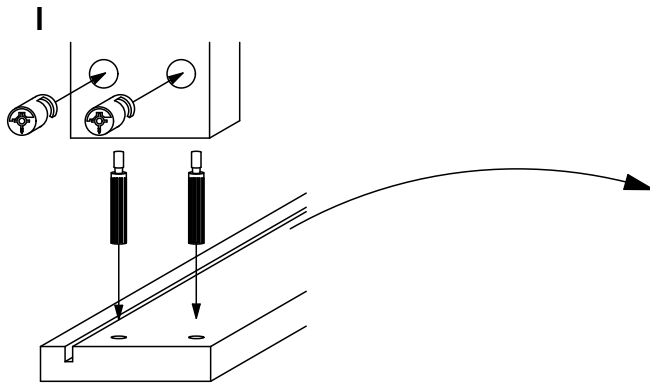


Rubber Mallet

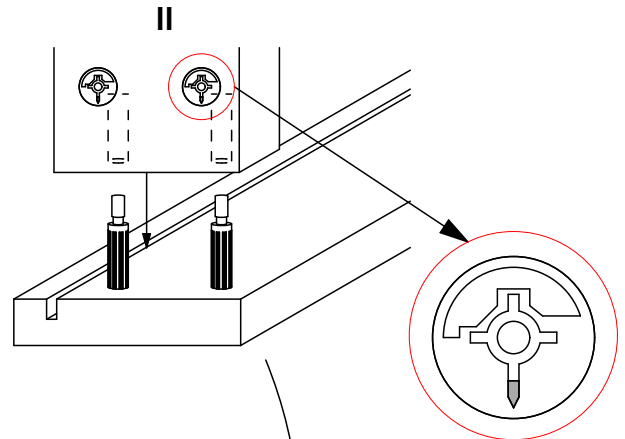
## GENERAL INSTRUCTIONS

1. Confirm that all panels (5) are in the package before assembling.
2. Check the white sticker on each panel for the labelling (G, H, I, J & K).
3. Ensure that the panels are laid on a non-abrasive surface when assembling.
4. Note that all panel connections are done using the system described below.

## PANEL CONNECTION AND FASTENING



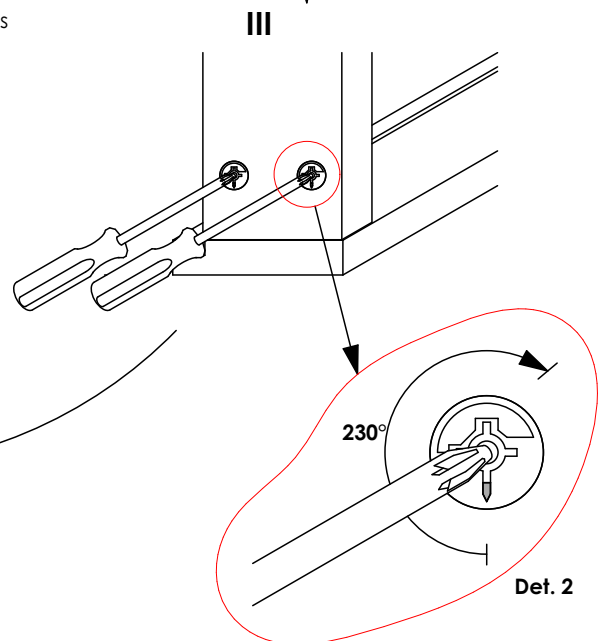
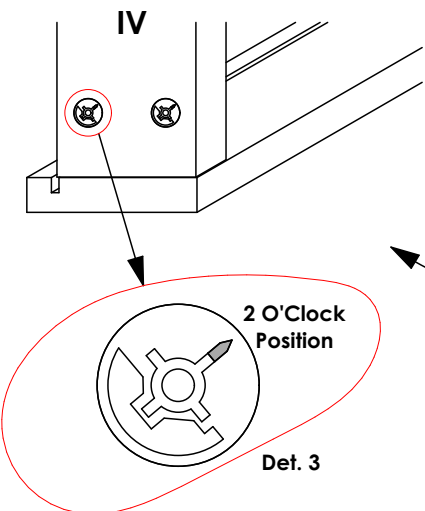
**I** - Insert the **Minifix (2)** and **Dufix (2)** in the shown positions.



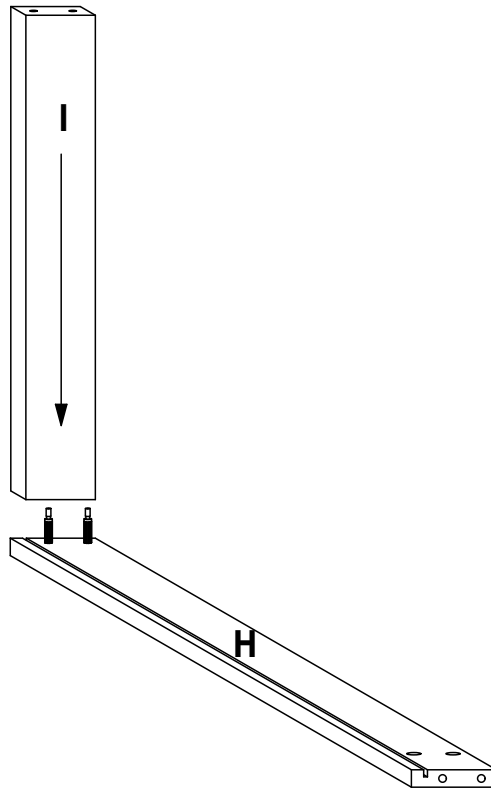
**II** - Confirm that the **Minifix** orientation is as shown in **Det. 1** then connect the panels.

**III** - Using a **screw driver**, turn the **Minifix 230°** clockwise to fasten the panels together. Refer to **Det. 2**.

**IV** - See **Det. 3** for Minifix orientation when fastened. Reset the Minifix orientation to that shown in **Det.1** to **disconnect** the panels.

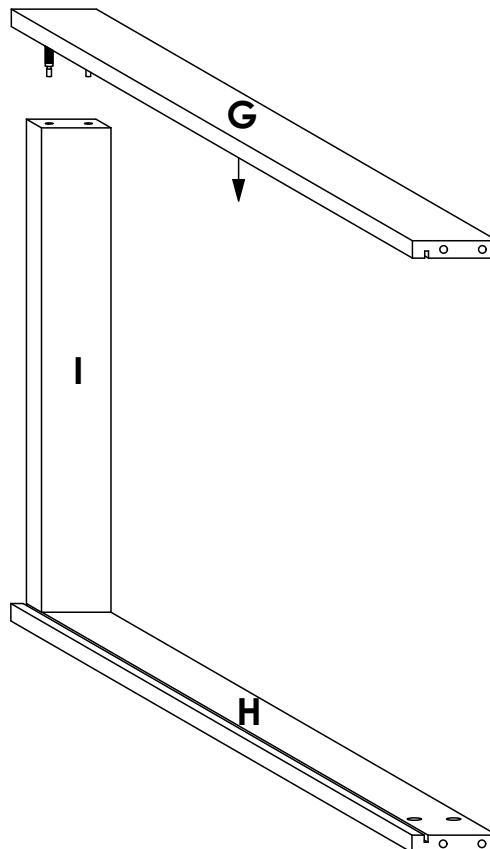


# STEP 1



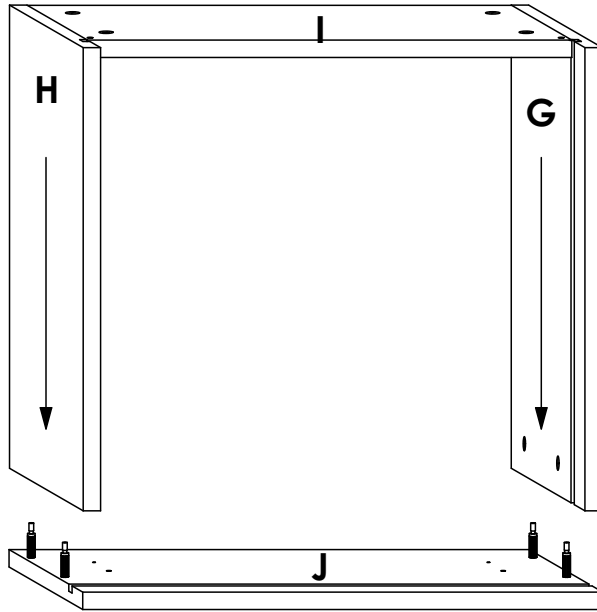
Connect panel **I** to panel **H** as shown. Refer to the holes and/or grooves on the diagram to determine the panel orientation.

# STEP 2



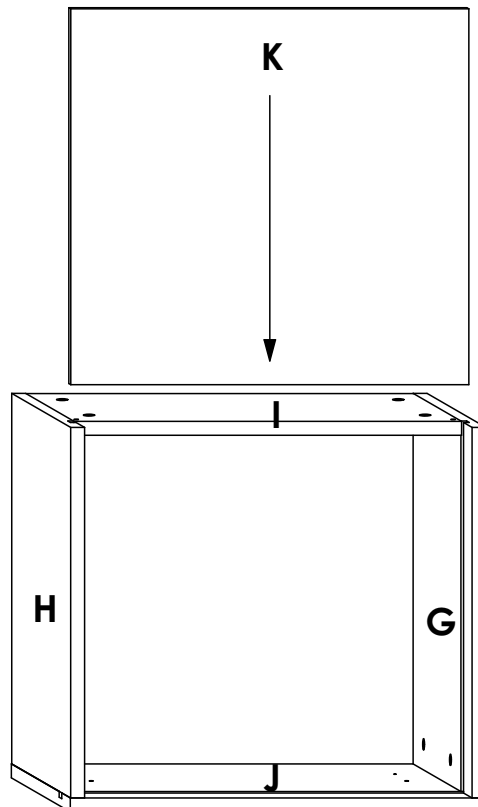
Connect panel **G** to panel **I** as shown. Refer to the holes and/or grooves on the diagram to determine the panel orientation.

## STEP 3



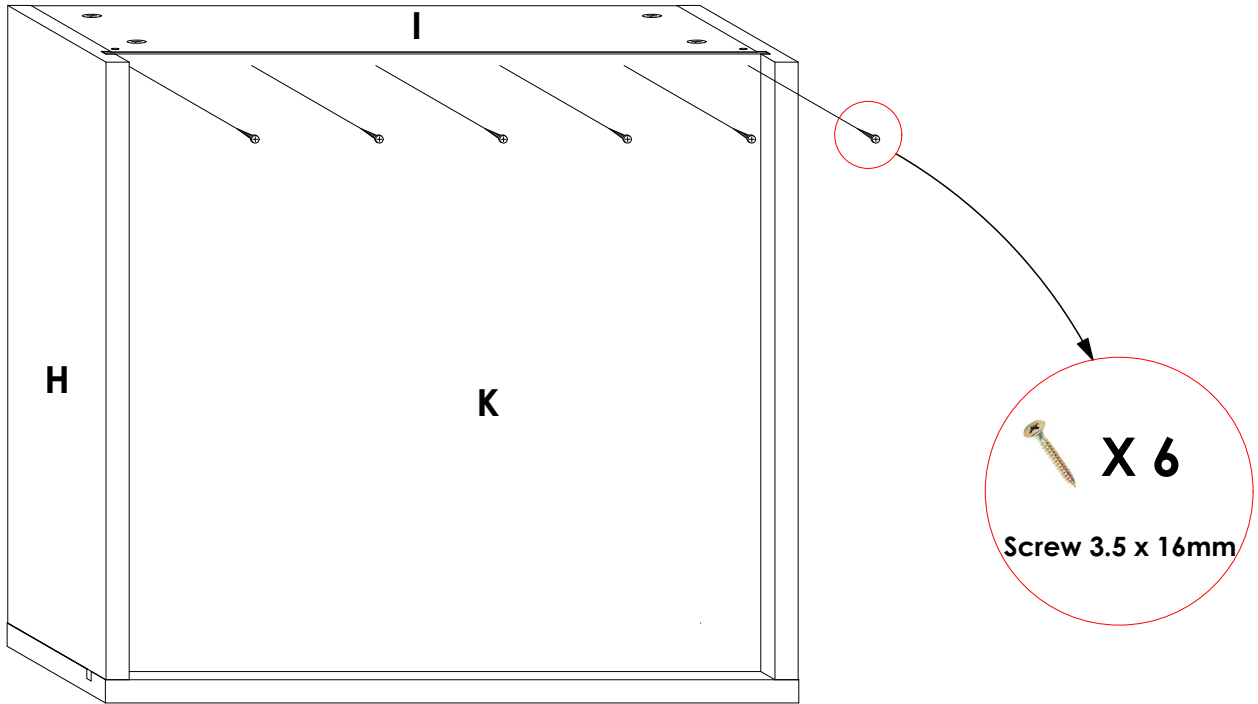
Connect panels **H & G** to panel **J** as shown. Refer to the holes and/or grooves on the diagram to determine the panel orientation.

## STEP 4



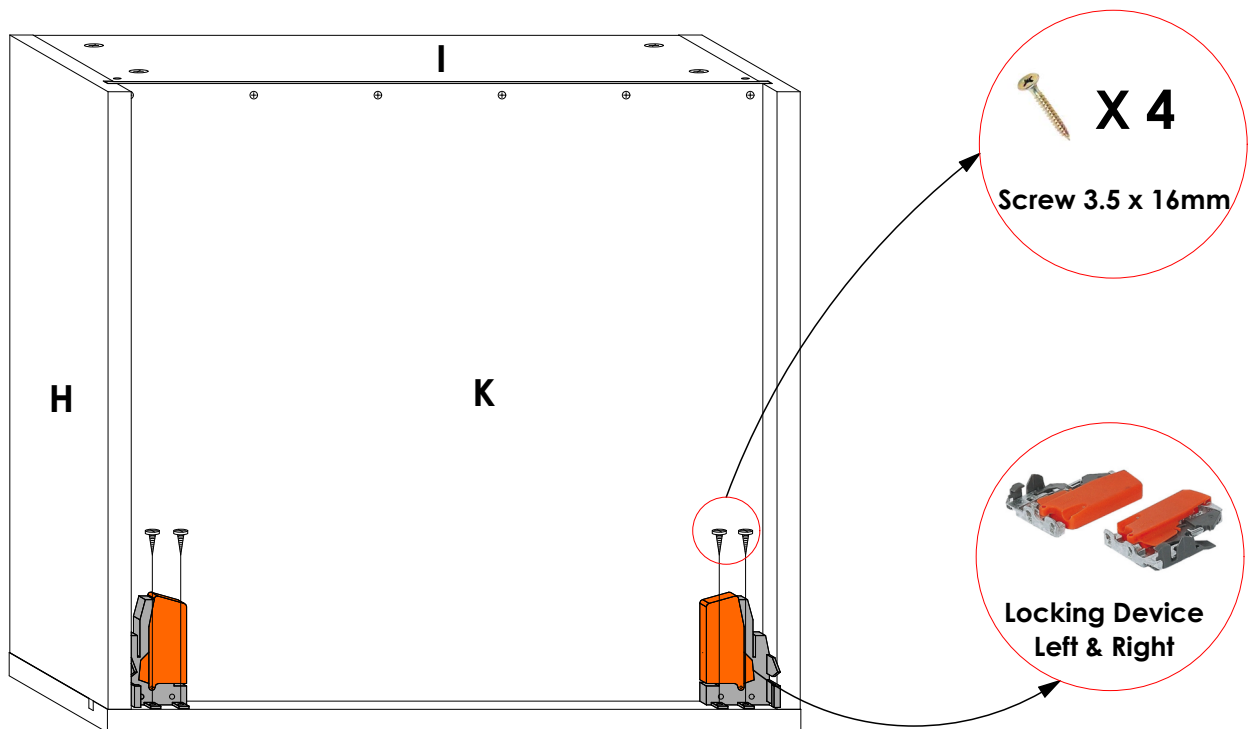
Slide **3mm** panel **K** through the grooves on panels **H & G** and into the groove on panel **J** as shown. Refer to the holes and/or grooves on the diagram to determine the panel orientation.

## STEP 5



Secure the **3mm** panel **K** onto panel **I** using **Screw 3.5 x 16mm**. Refer to the holes and/or grooves on the diagram to determine the panel orientation.

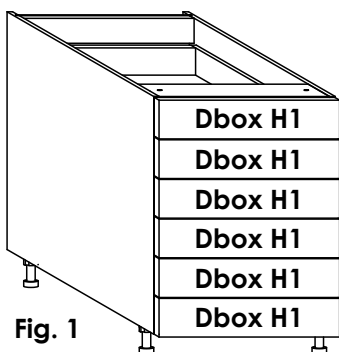
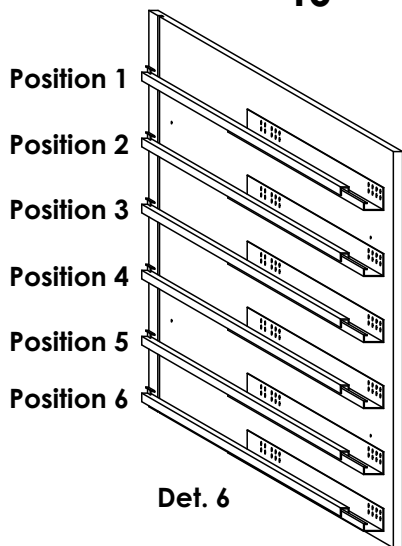
## STEP 6



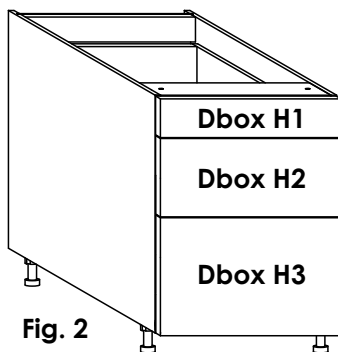
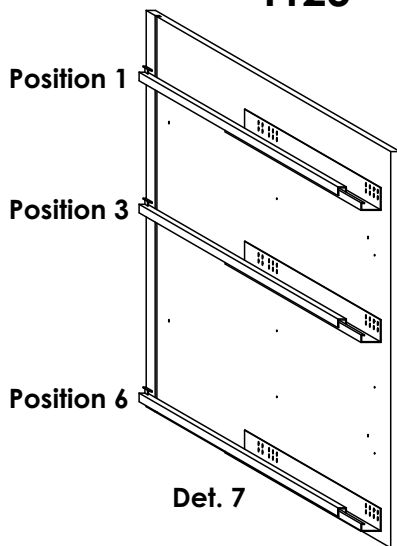
Place the **Tandem Locking Devices** in the shown positions, aligning them with the pre-drilled pilot holes. Secure the **locking devices** onto panel **J** using **Screw 3.5 x 16mm**.

# STEP 7

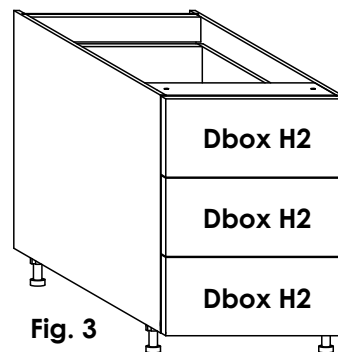
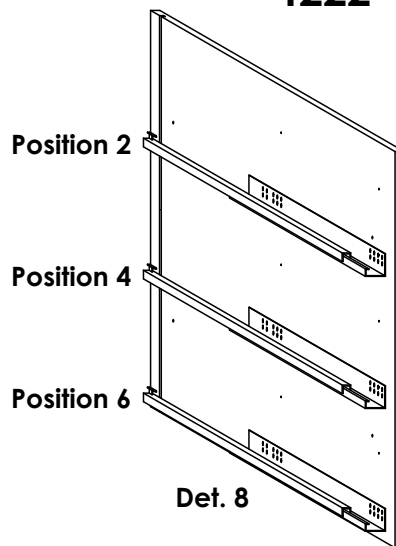
## T6



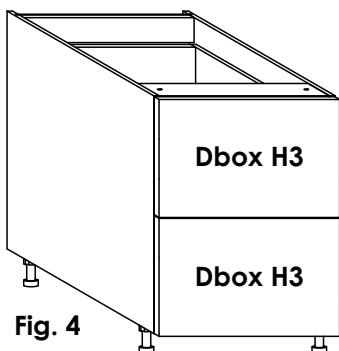
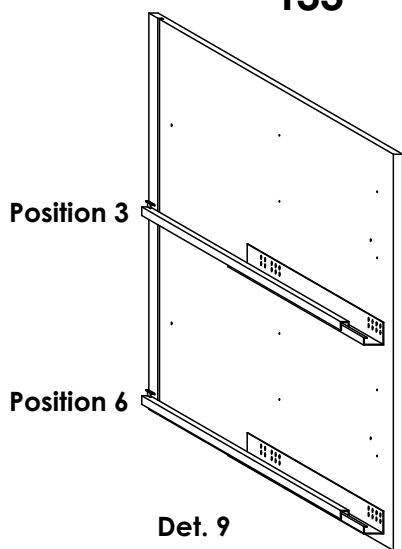
## T123



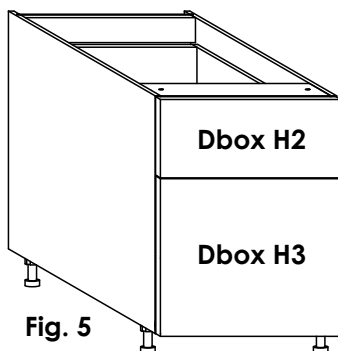
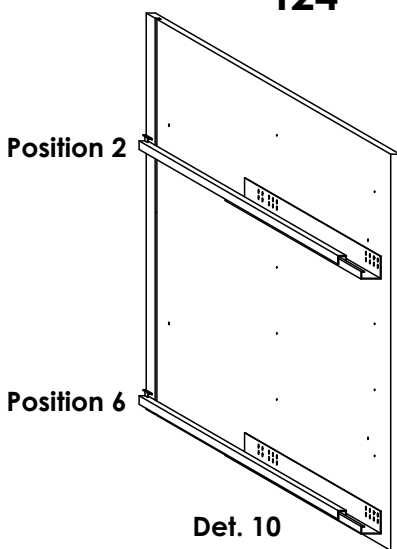
## T222



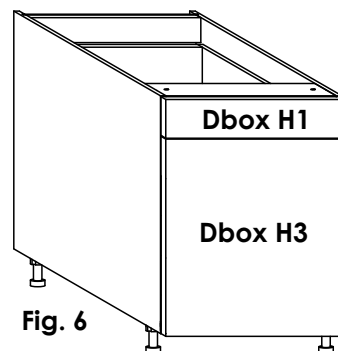
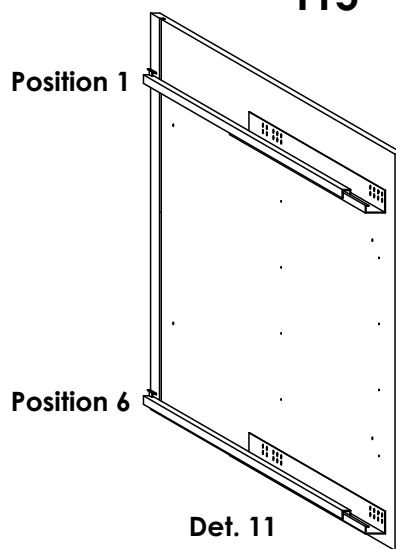
## T33



## T24

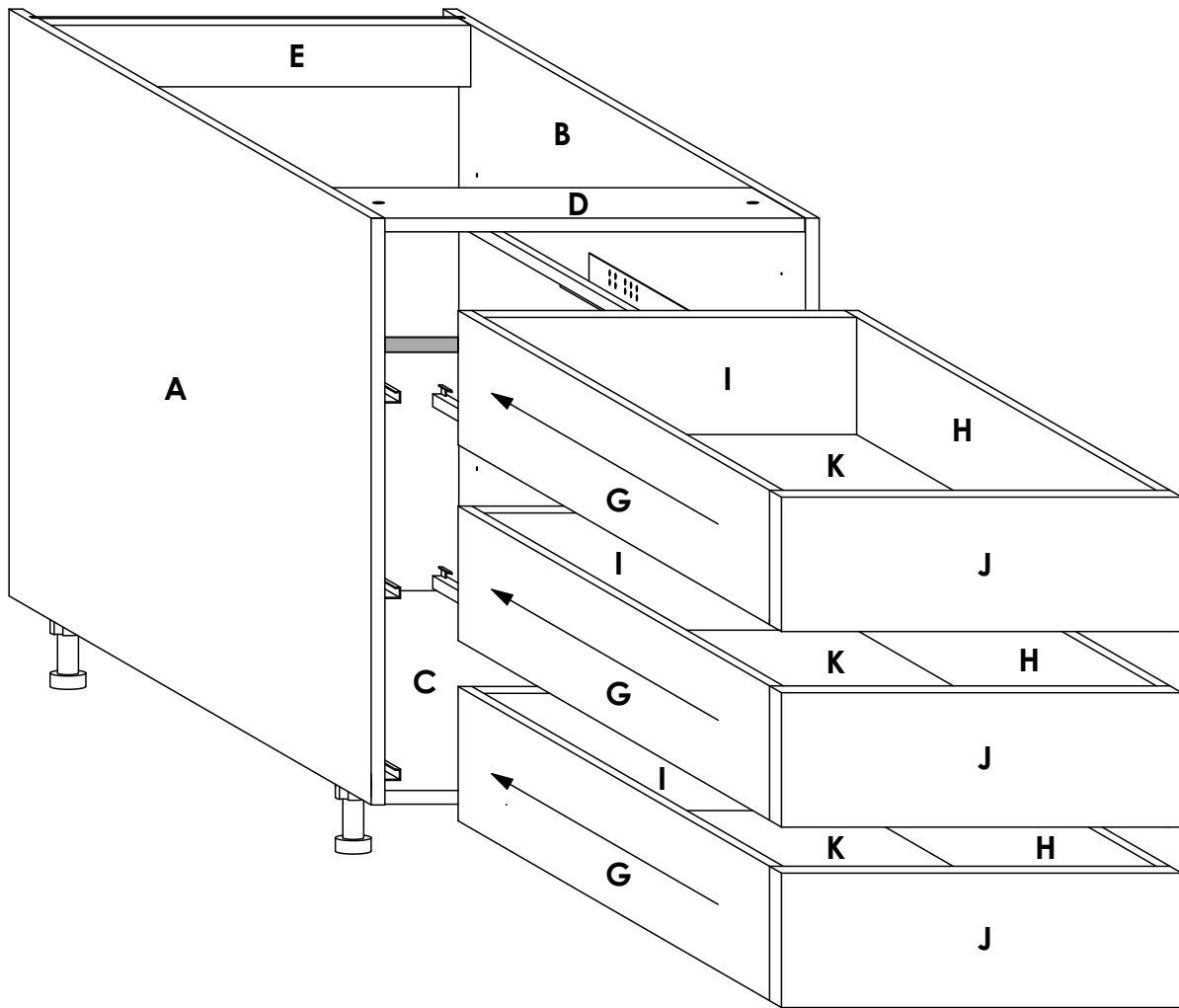


## T15



Using **Screw 3.5 x 16mm**, connect the **Tandem Runners** to **Panels A & B** of the **Drawer Cabinets**. Confirm the desired configuration from **Fig. 1-6** and connect the runners in the corresponding positions shown in **Det. 6-11**. See **Pilot Hole Key on Drawer Cabinets Assembly Guide** for runner hole and pilot hole alignment. Use four more screws to reinforce the runners after fastening in the alignment positions. Also, from **fig. 1-6**, note the **specific Drawer Box Heights** that go into each configuration.

# STEP 8



Slide in the Drawer Boxes all the way in with the Drawer Box Bottom (Panel **K**) sitting on the Tandem Runners. Confirm that the **Tandem runners** hook into the holes at the back of Panel **I** and snap into the **Locking devices** connected on panel **J**. See the Door and Dummy Panel Installation guide for further instructions (Installation of Drawer Fronts).