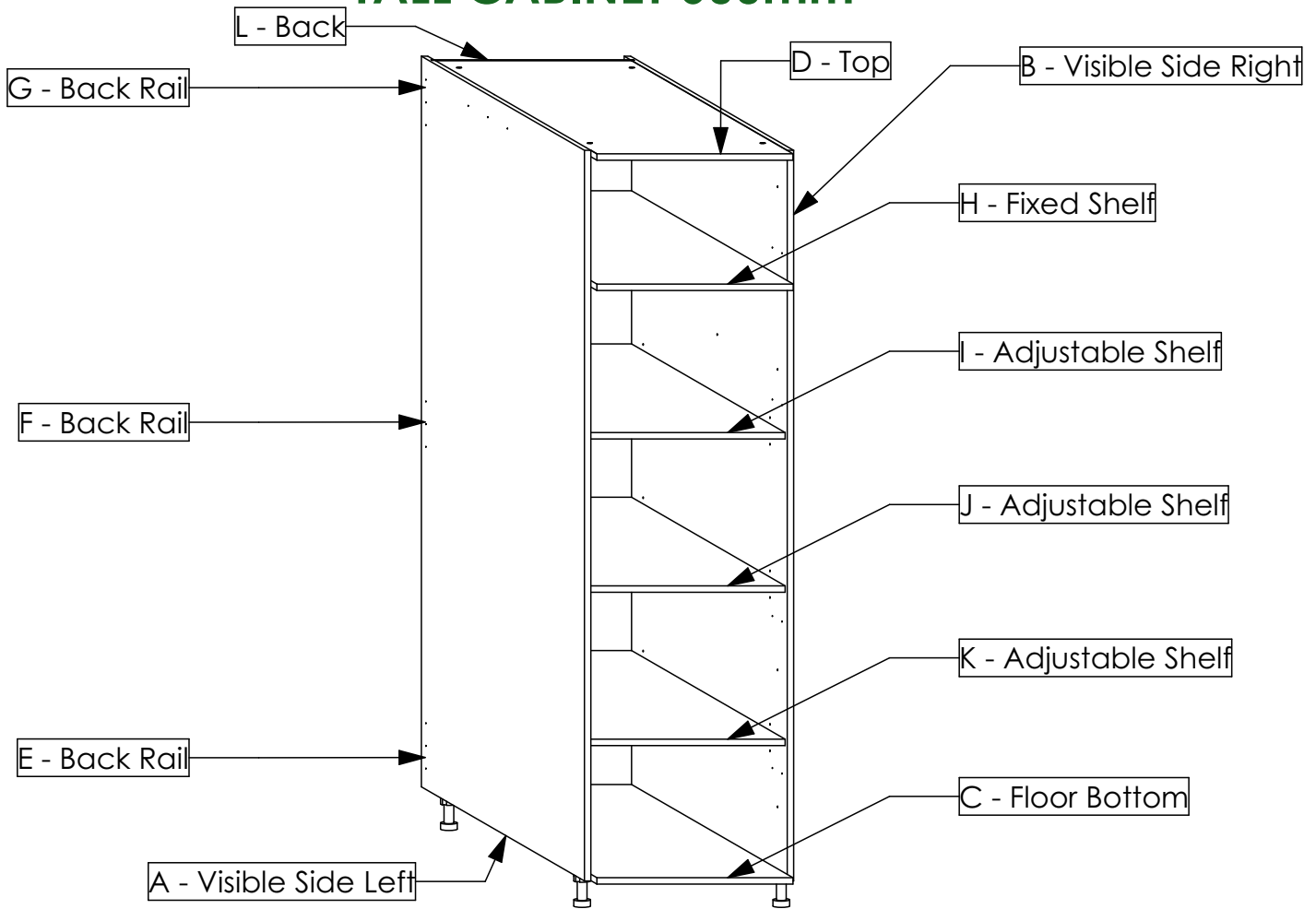


# BLUM GOLA FLATPAX KITCHEN RANGE








## ASSEMBLY GUIDE

### TALL CABINET 600mm



**TOTAL NUMBER OF PANELS: 12**

#### HARDWARE

PRODUCT	QTY	IMAGE
Dufix	18	
Minifix	18	
Wooden Dowel	36	
Screw 3.5 x 16mm	22	
Plinth Leg With Base H100mm Kit	4	
Cabinet Connecting Screw Kit	6	
Shelf Support Flipper 14mm Kit	12	

# TOOLS REQUIRED



Screw Driver  
(Pozi Drive Head)



Cordless Drill



Pozi Bit (PZ2)



8mm Drill Bit

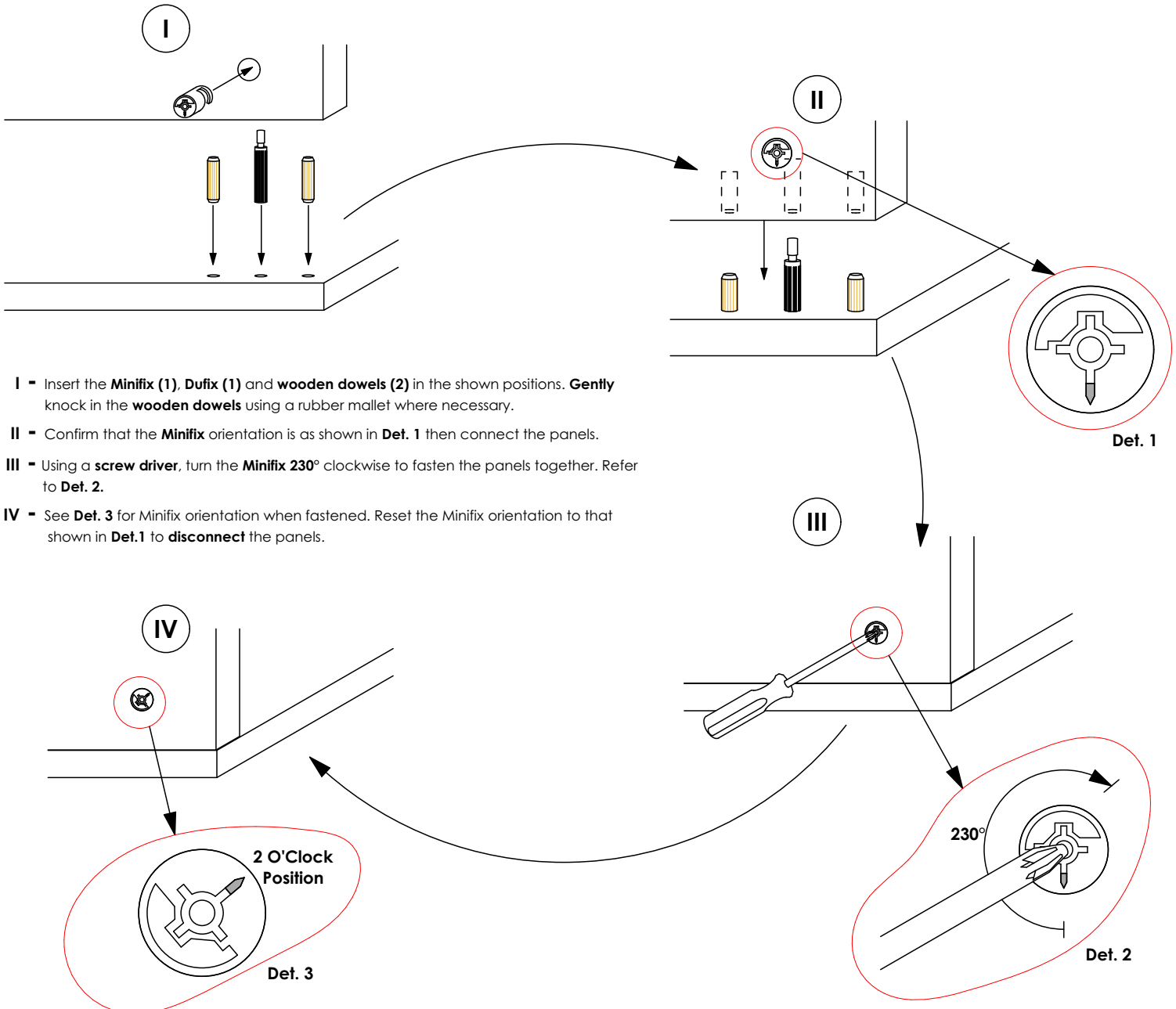


Rubber Mallet

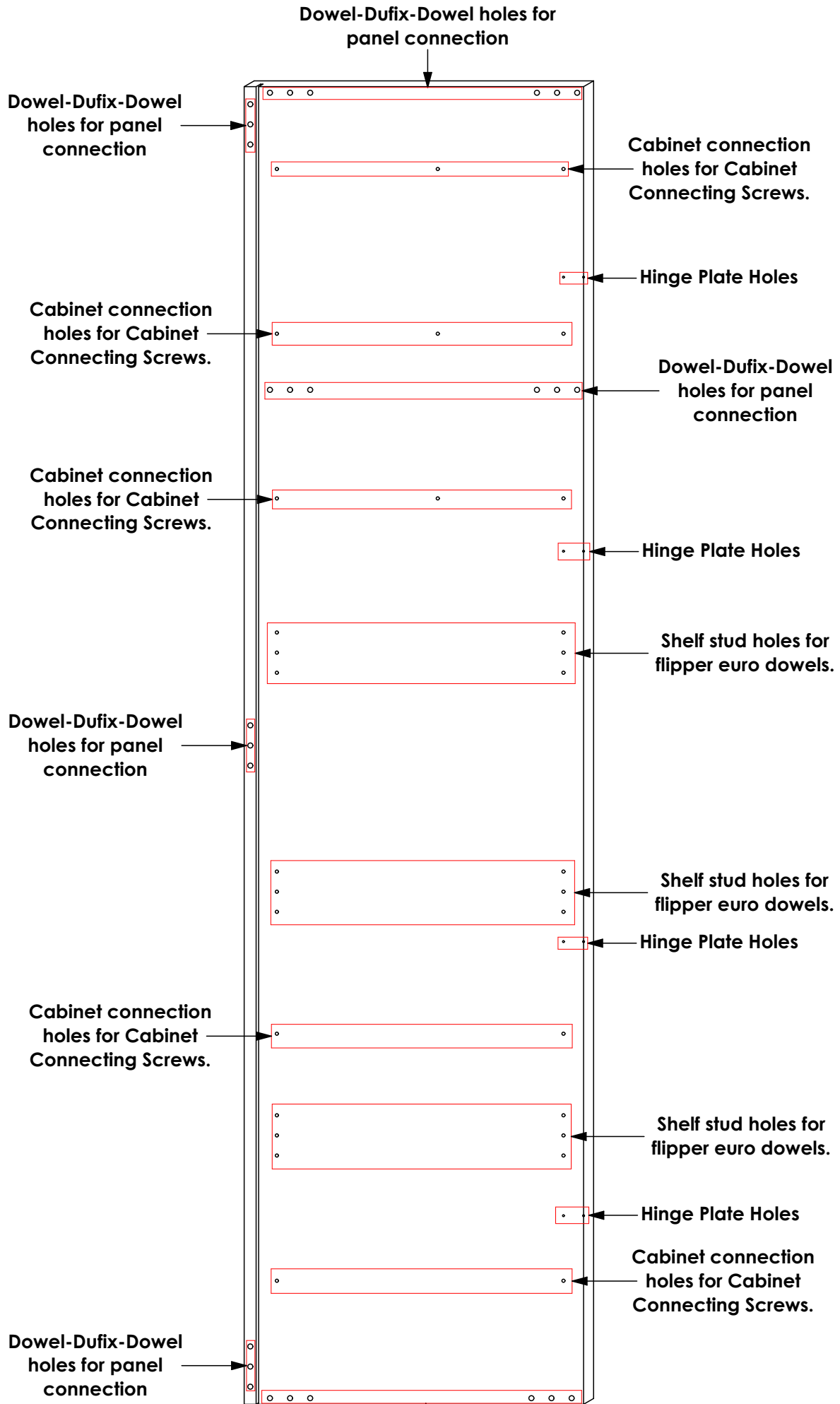
## GENERAL INSTRUCTIONS

1. Confirm that all panels (12) are in the package before assembling.
2. Check the white sticker on each panel for the labelling (A, B, C, D, E, F, G, H, I, J, K & L).
3. Ensure that the panels are laid on a non-abrasive surface when assembling.
4. Note that all panel connections are done using the system described below.

## PANEL CONNECTION AND FASTENING

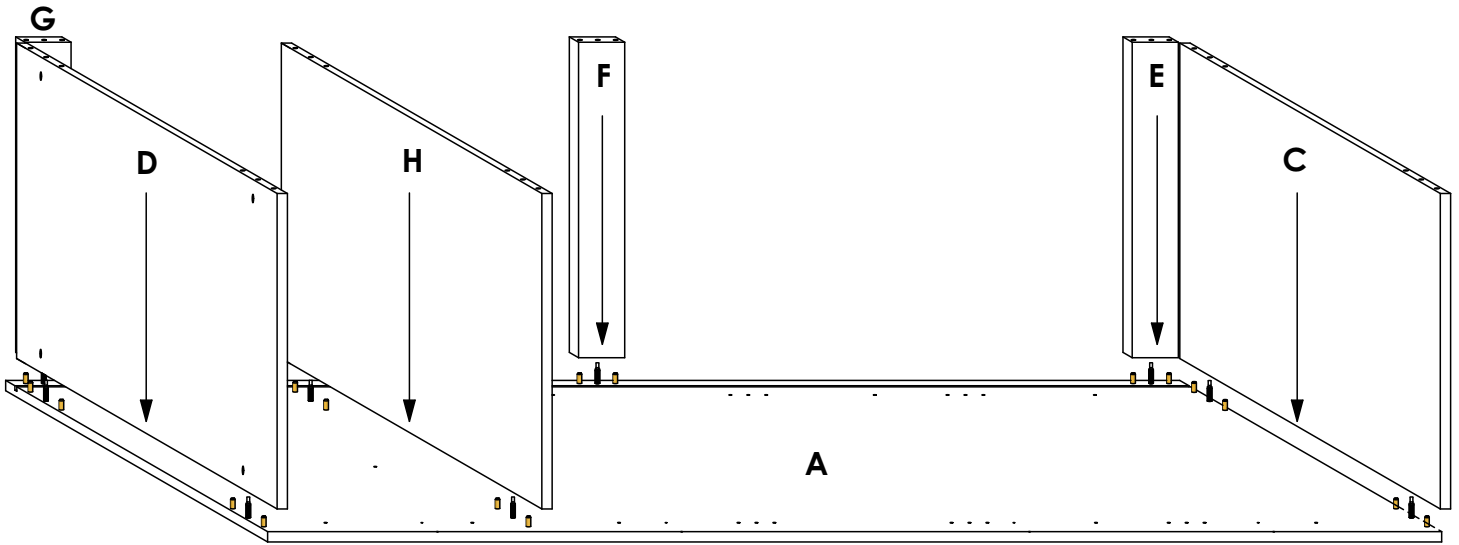


# PILOT HOLES GUIDE FOR SIDE PANELS



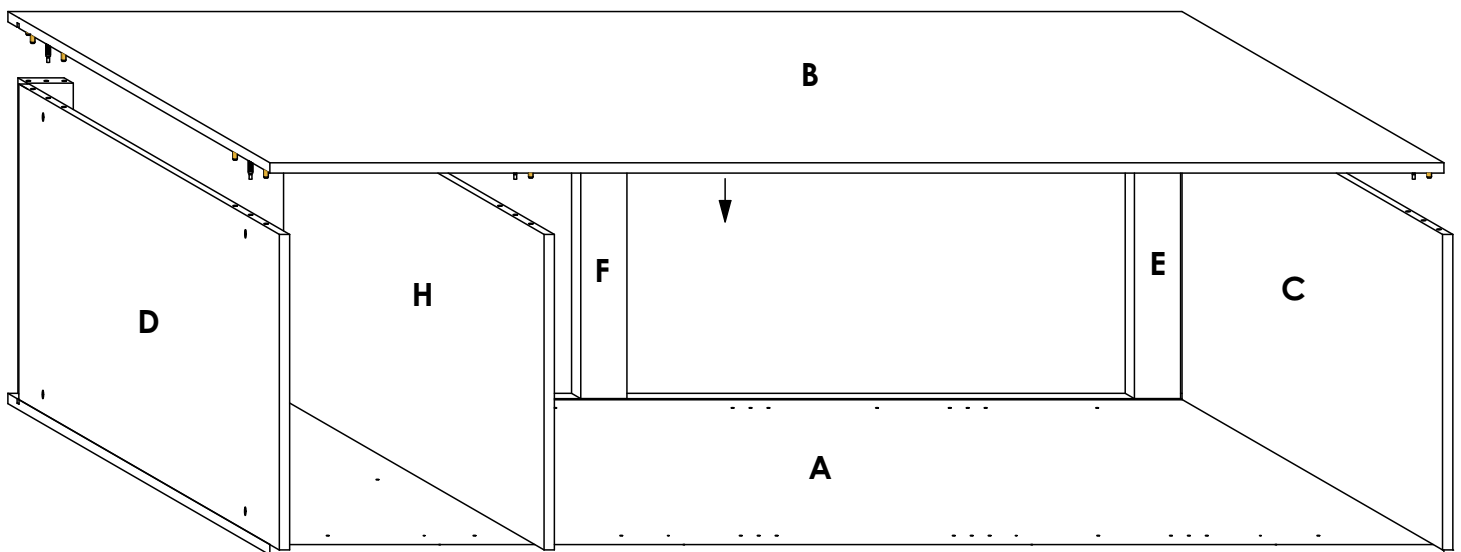
Dowel-Dufix-Dowel holes for panel connection

# STEP 1



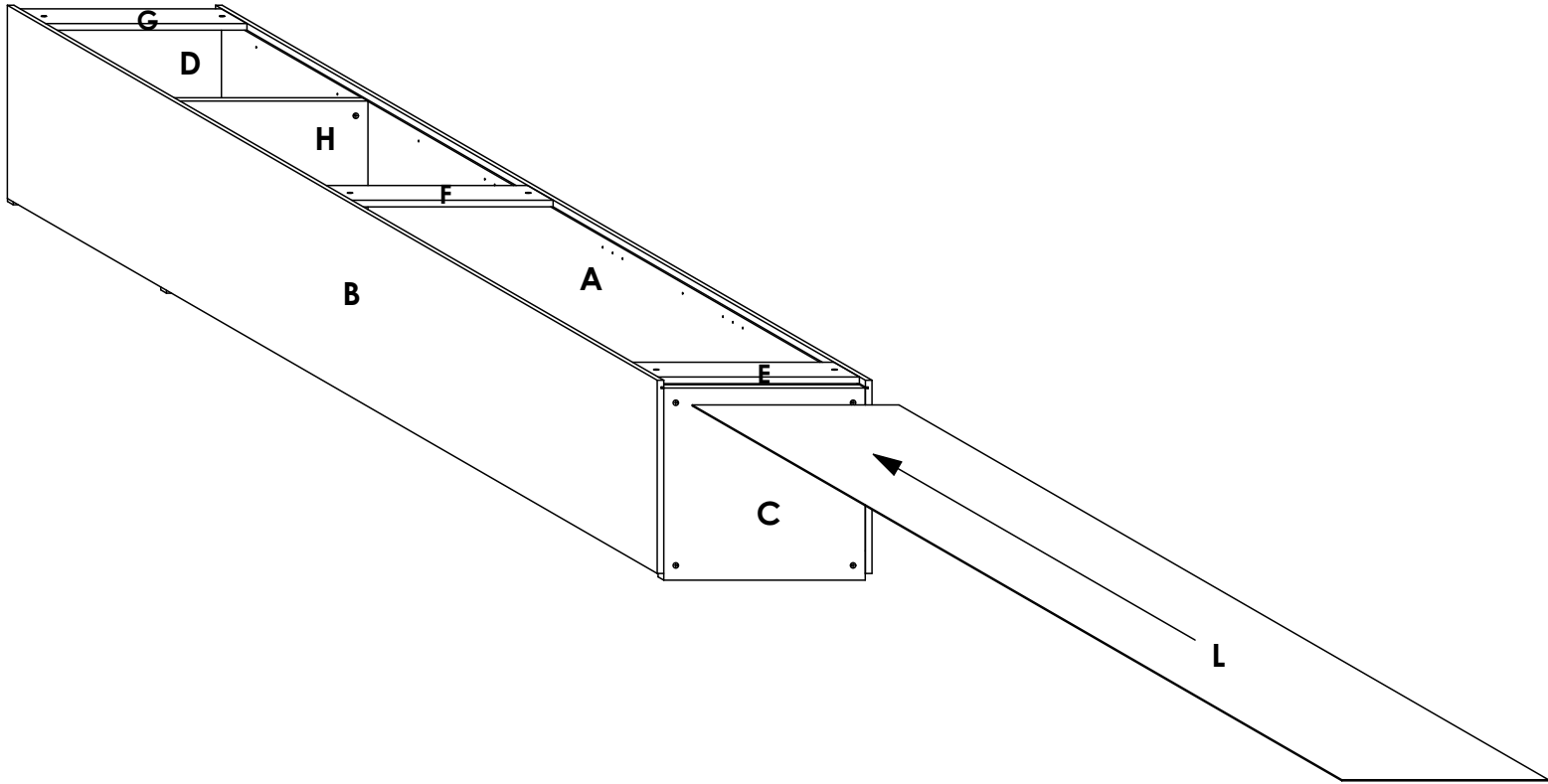
Connect panels **C, D, E, F, G & H** to panel **A** as shown. Refer to the holes and/or grooves on the diagram to determine the panel orientation.

# STEP 2



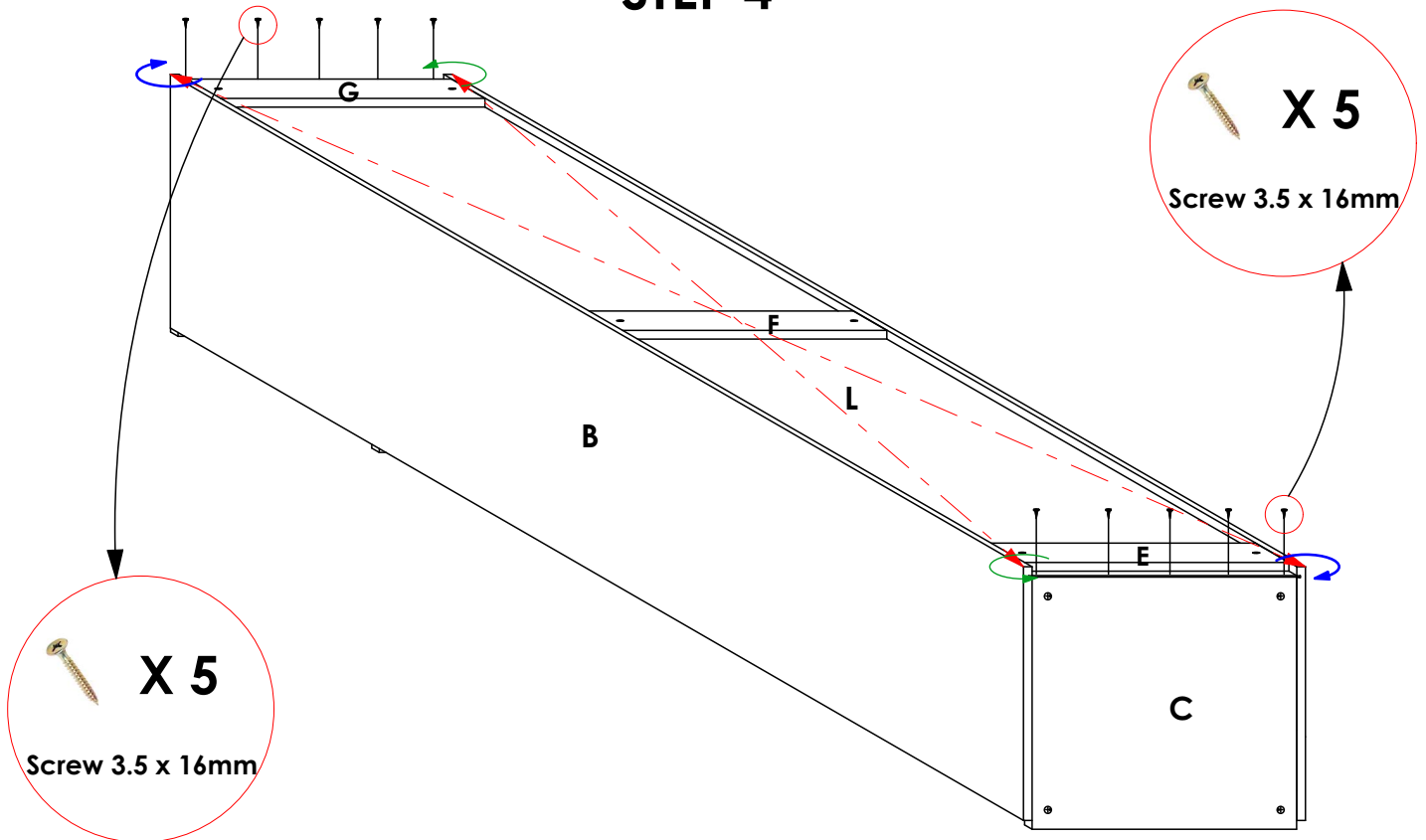
Connect panel **B** to panels **C, D, E, F, G & H** as shown. Refer to the holes and/or grooves on the diagram to determine the panel orientation.

### STEP 3



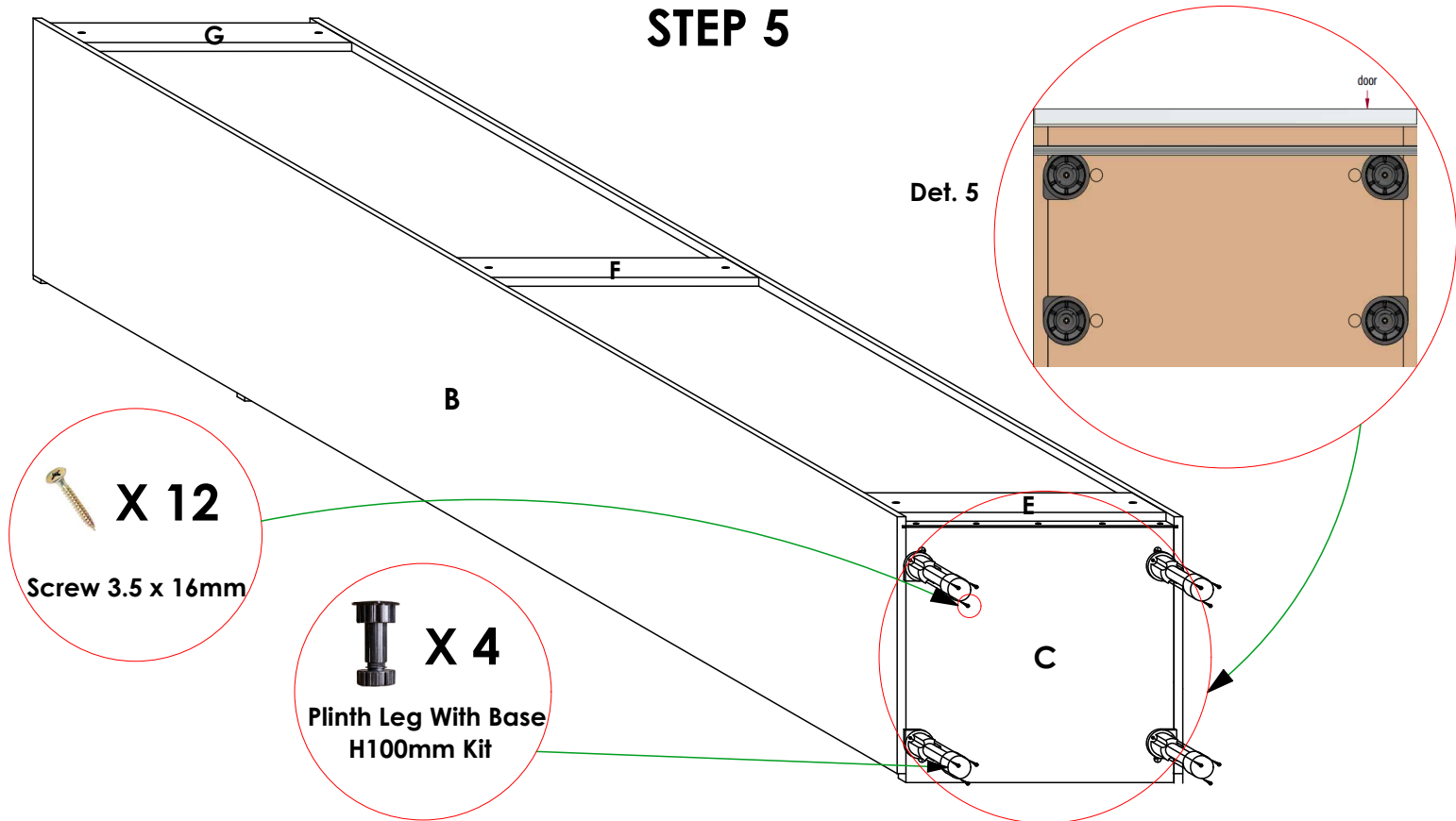
Slide the 3mm panel (L) into the groove on panels **A & B** with the finished side facing down. Refer to the holes and/or grooves on the diagram to determine the panel orientation.

### STEP 4



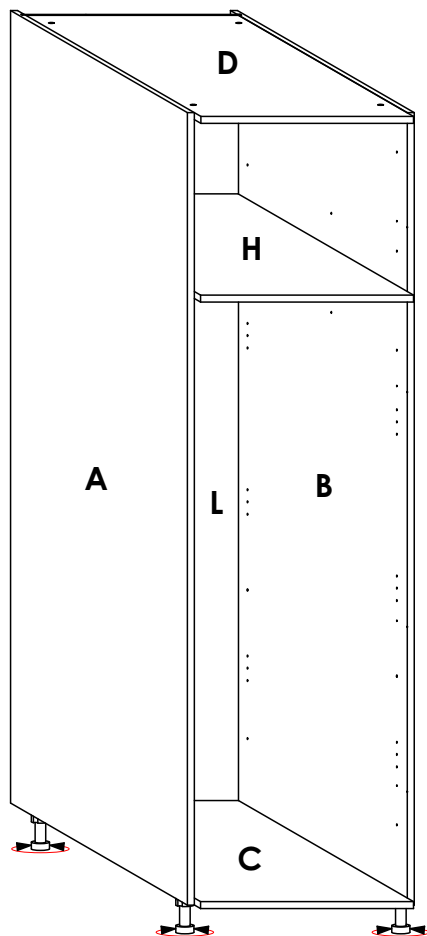
First, **check the diagonal** of the cabinet by measuring the two distances indicated by the broken lines. They should be equal. If not, twist the cabinet accordingly in the diagonal corners as shown until an equal value is achieved. After, secure panel **F** to panels **C & D** as shown using **Screw 3.5 X 16mm**.

## STEP 5



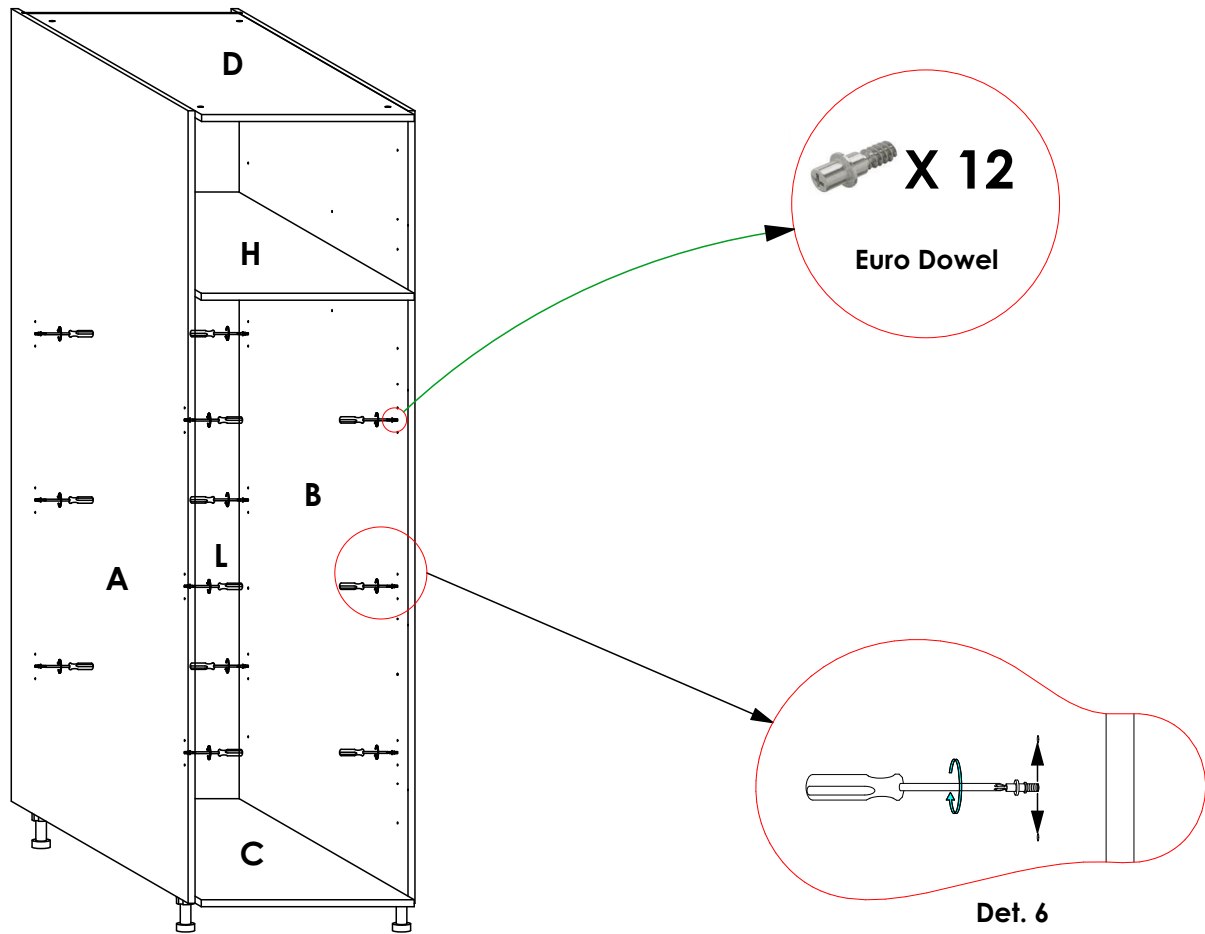
Place the four units of **Plinth Leg With Base** in the shown positions, aligning with the pre-drilled pilot holes on panel **C**. Ensure that the orientation is as shown in **Det. 5**. Using **Screw 3.5 X 16mm**, secure the legs onto panel **C**.

## STEP 6



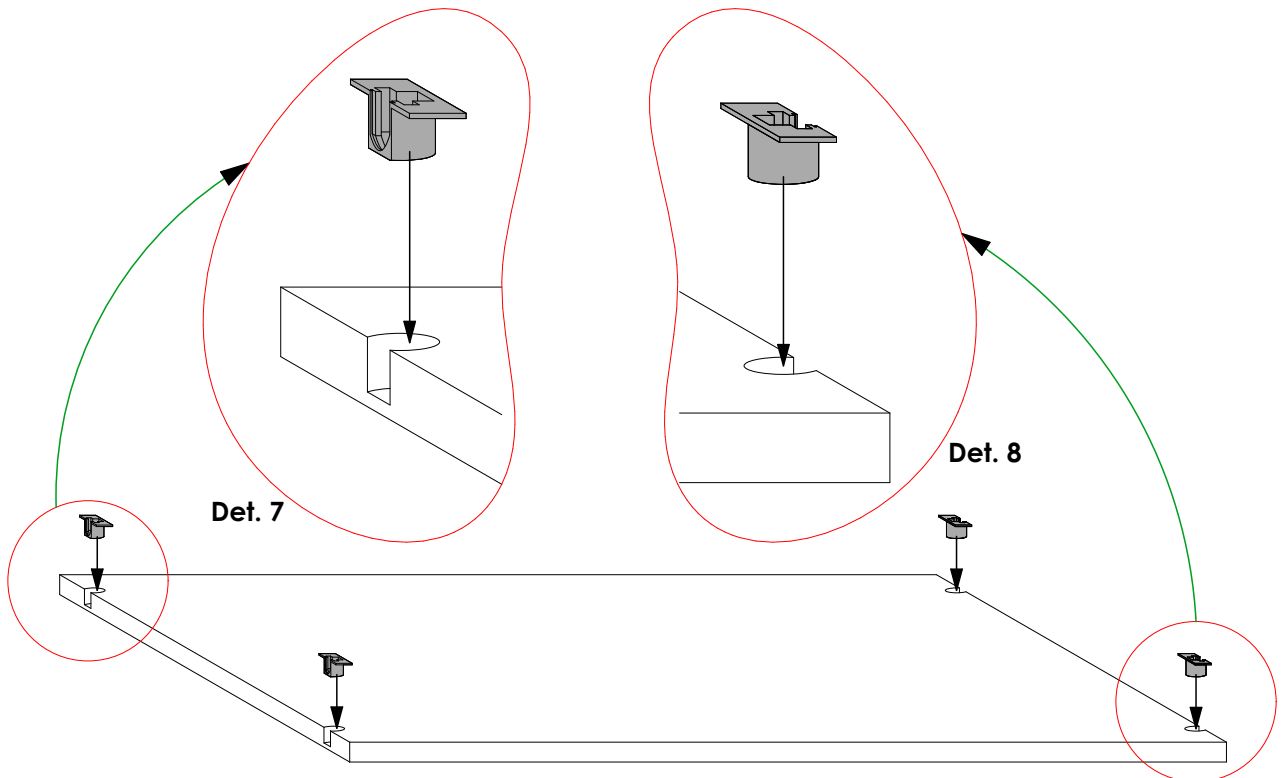
Flip the cabinet upright, place it in the desired position and adjust its height by rotating the base of the legs as shown to level.

## STEP 7



Screw in the **Euro Dowels** in the shown positions. Their positions can be adjusted as shown in **Det. 6** to change the level of the shelves or to slant the shelves.

## STEP 8



Insert the **shelf supports** in the shown positions on panels **I, J & K**. Confirm that the orientation is as shown in **Det. 7** and **Det. 8**.

# STEP 9

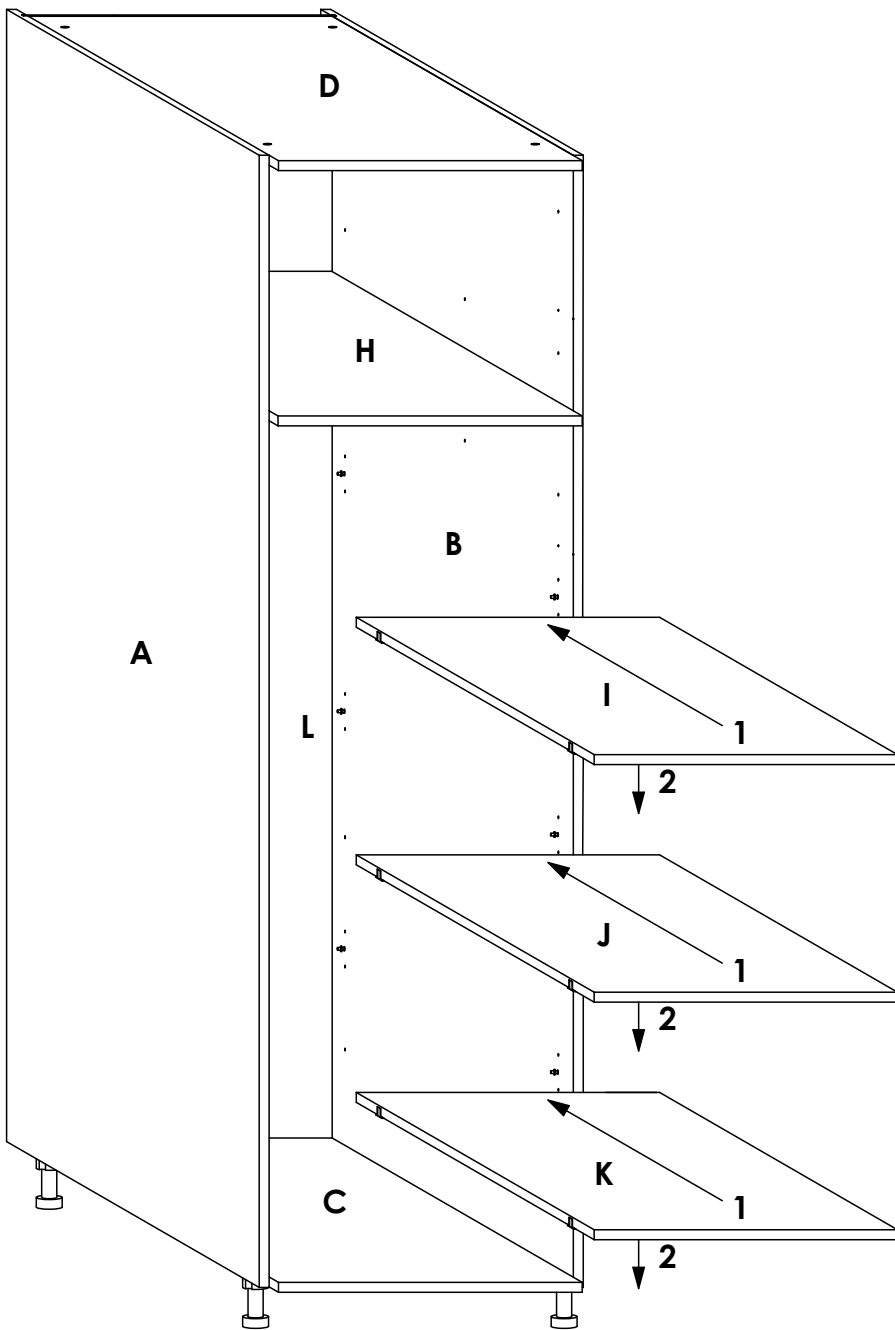
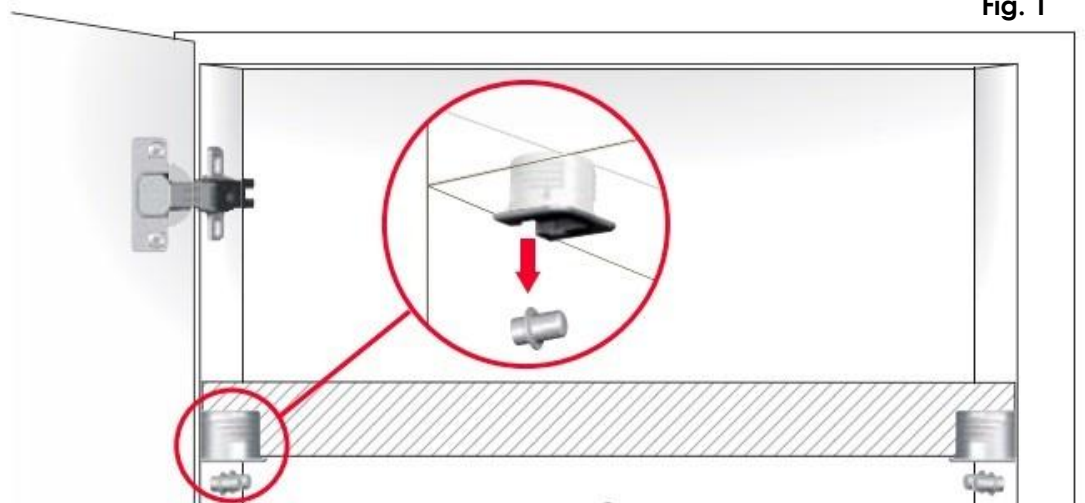


Fig. 1



1. Slide in the shelves (Panels I, J & K) above the euro dowels as shown. Slide them in until they touch the back.
2. Press down the shelves lightly such that the euro dowels snap into the shelf supports. See **Fig. 1**.

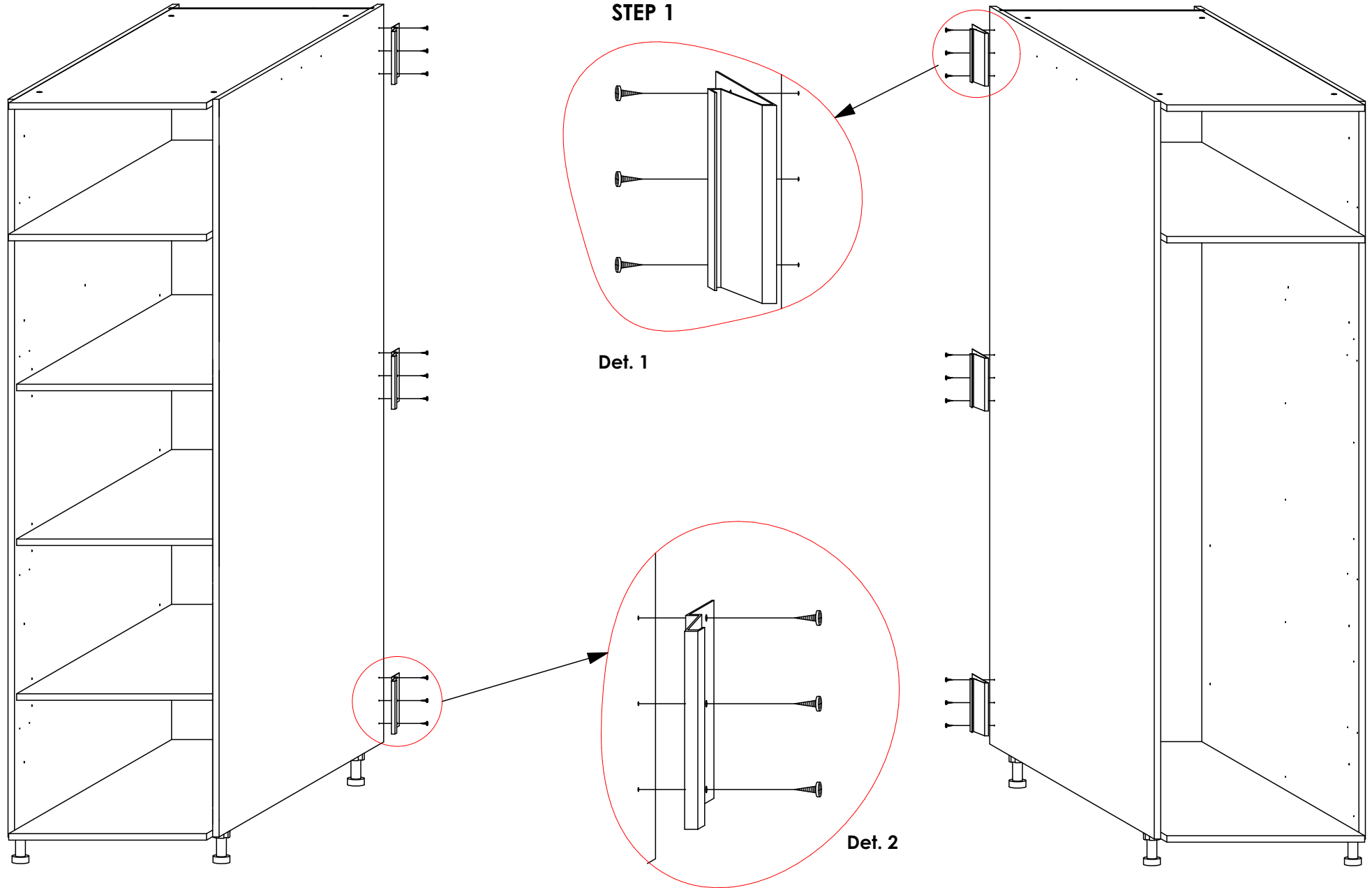
See the Door Installation guide for further instructions.



# GOLA INSTALLATION GUIDE

## DOUBLE VERTICAL GOLA

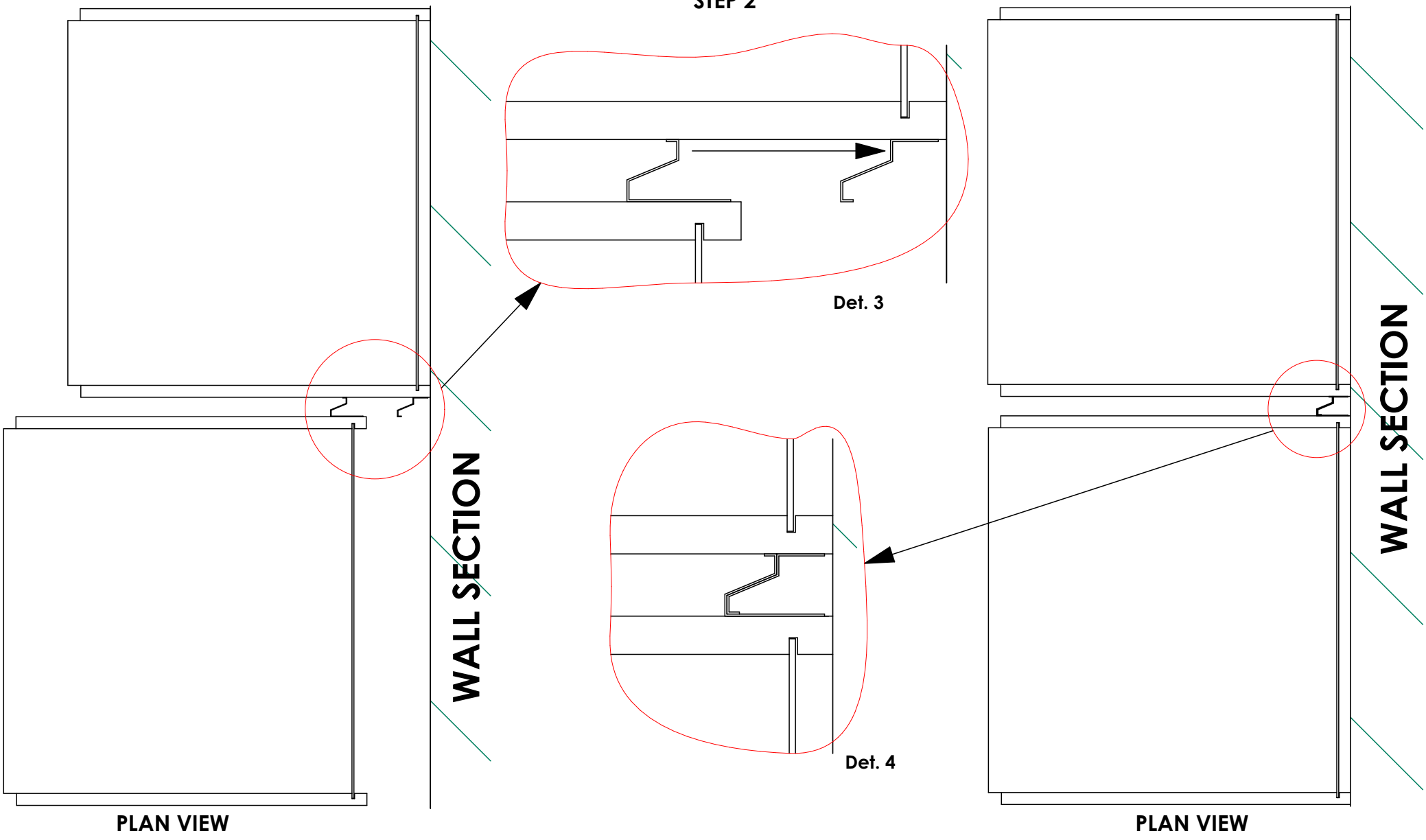
### STEP 1



For two adjoining Tall Cabinets, connect the provided steel brackets in the shown positions using the provided screws. Use the pre-drilled pilot holes as a guide. See **Det. 1 & Det. 2.**

# GOLA INSTALLATION GUIDE DOUBLE VERTICAL GOLA

## STEP 2

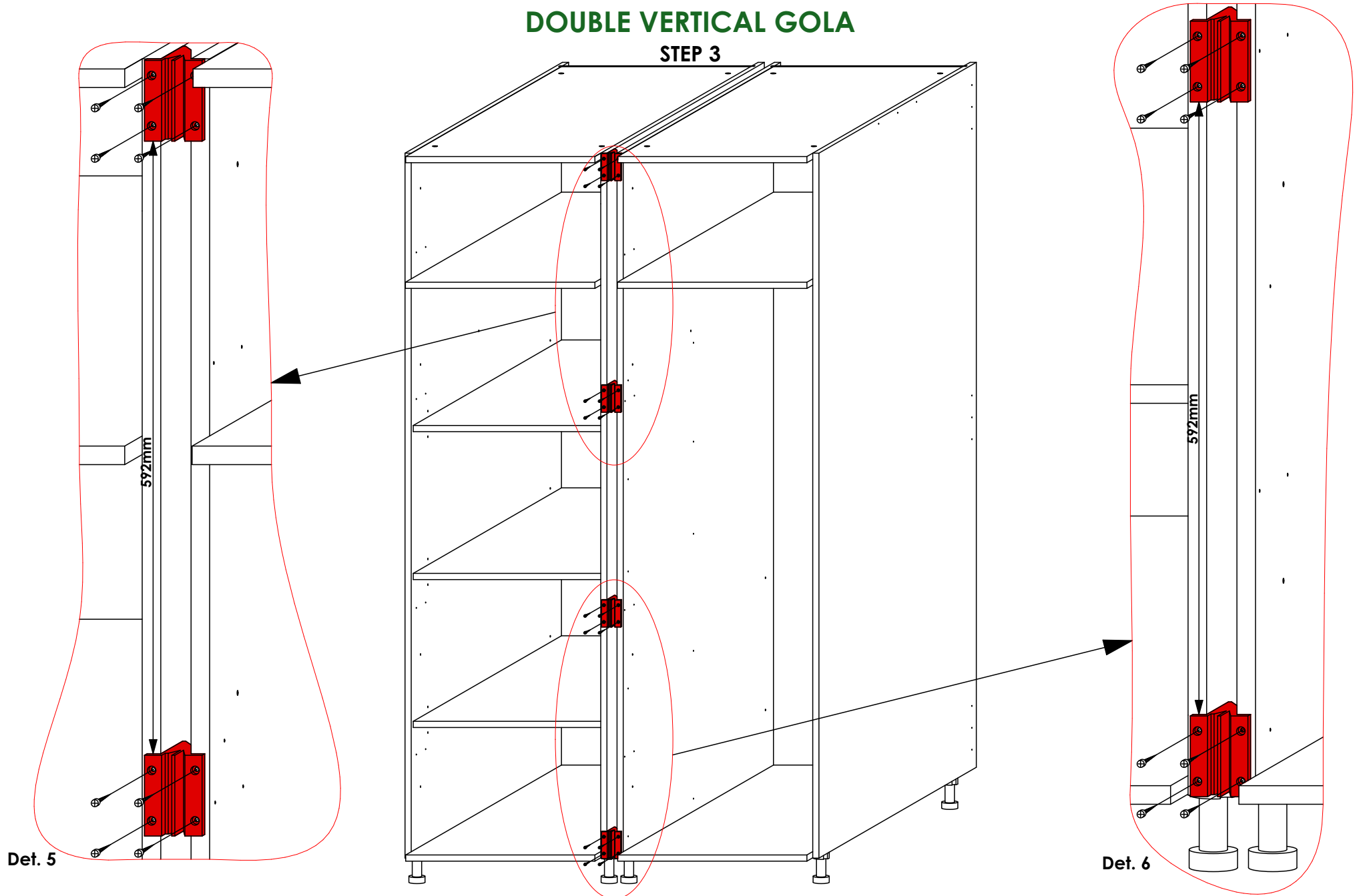


Connect the adjoining cabinets such that the steel brackets interlock. See **Det. 3** & **Det. 4**.

# GOLA INSTALLATION GUIDE

## DOUBLE VERTICAL GOLA

### STEP 3

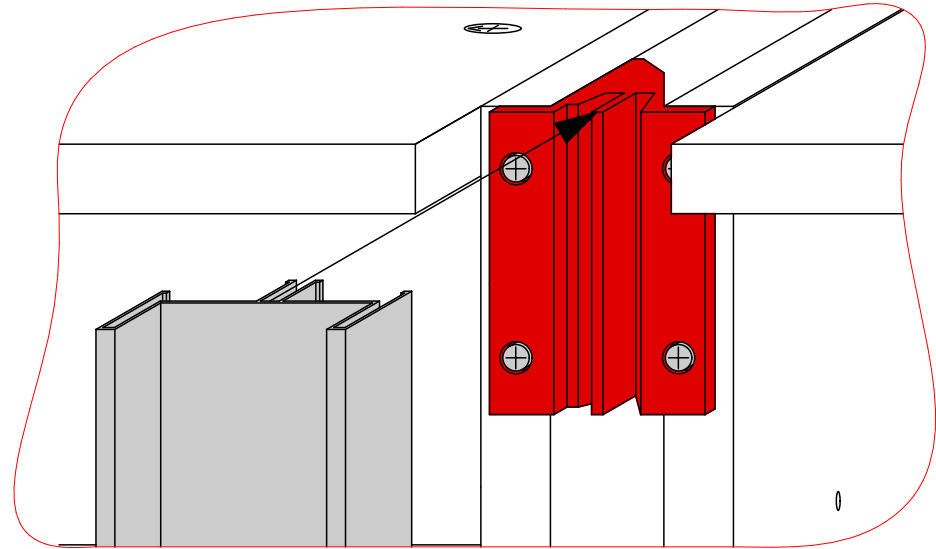
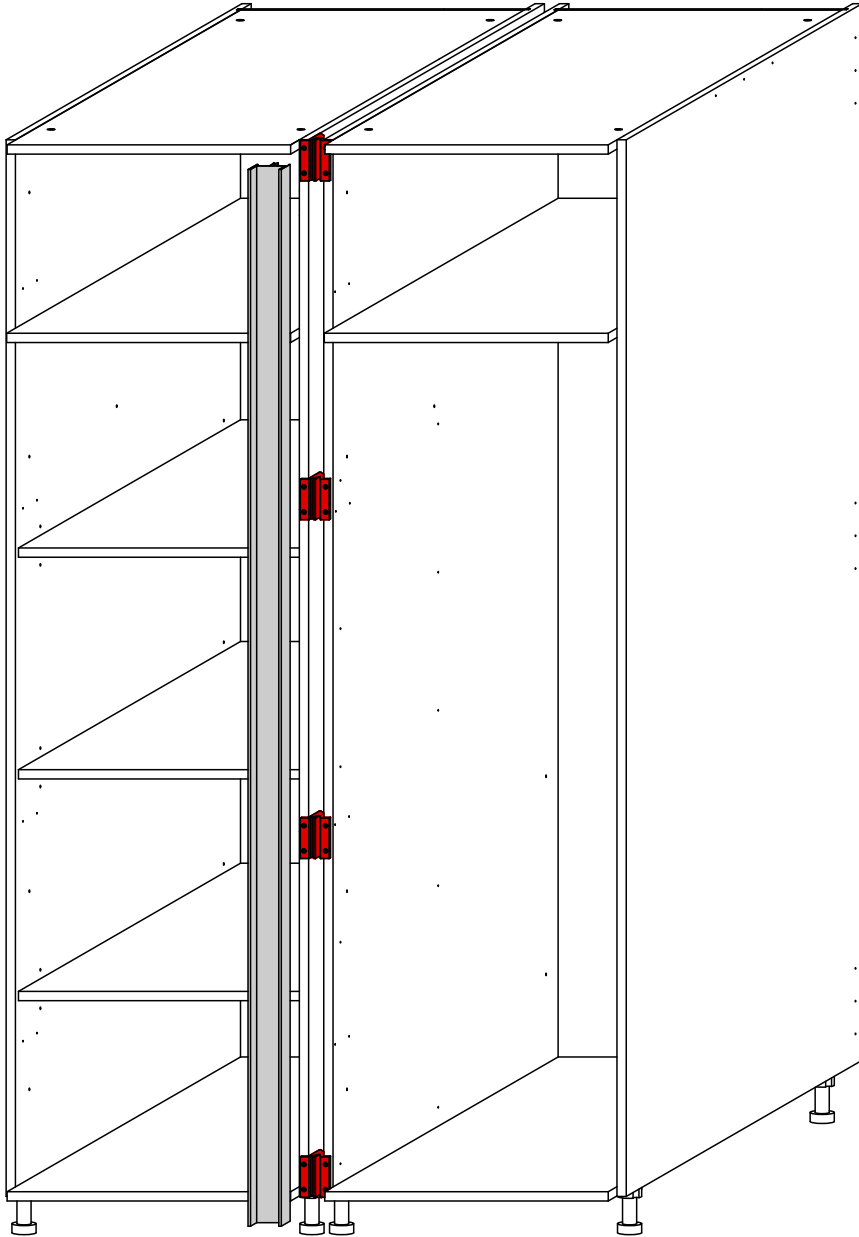


With the steel brackets interlocked, connect the **Double Vertical Gola Snap-on brackets** in the shown positions using the provided screws. See **Det. 5 & Det. 6** for measurements.

# GOLA INSTALLATION GUIDE

## DOUBLE VERTICAL GOLA

### STEP 4



Det. 7

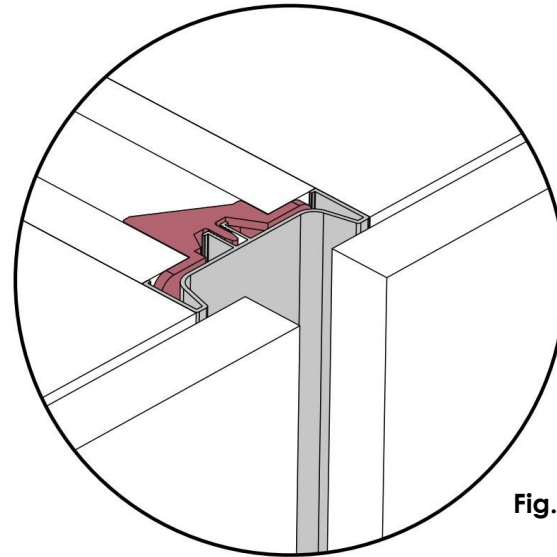
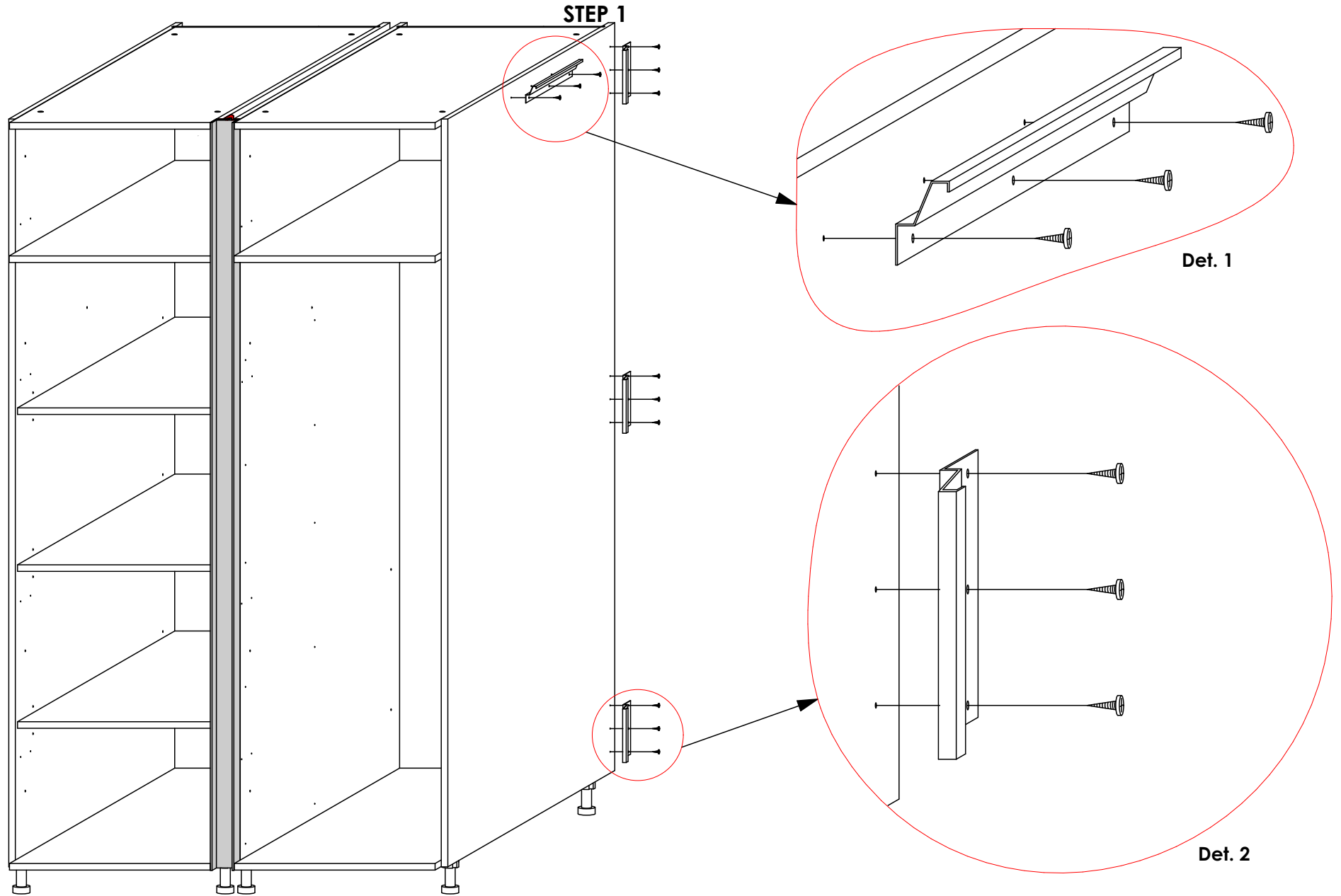


Fig. 1

Snap the **Double Vertical Gola Profile** into the **Double Vertical Gola Snap-on brackets**. See **Det. 7 & Fig. 1**.

# GOLA INSTALLATION GUIDE

## SINGLE VERTICAL GOLA

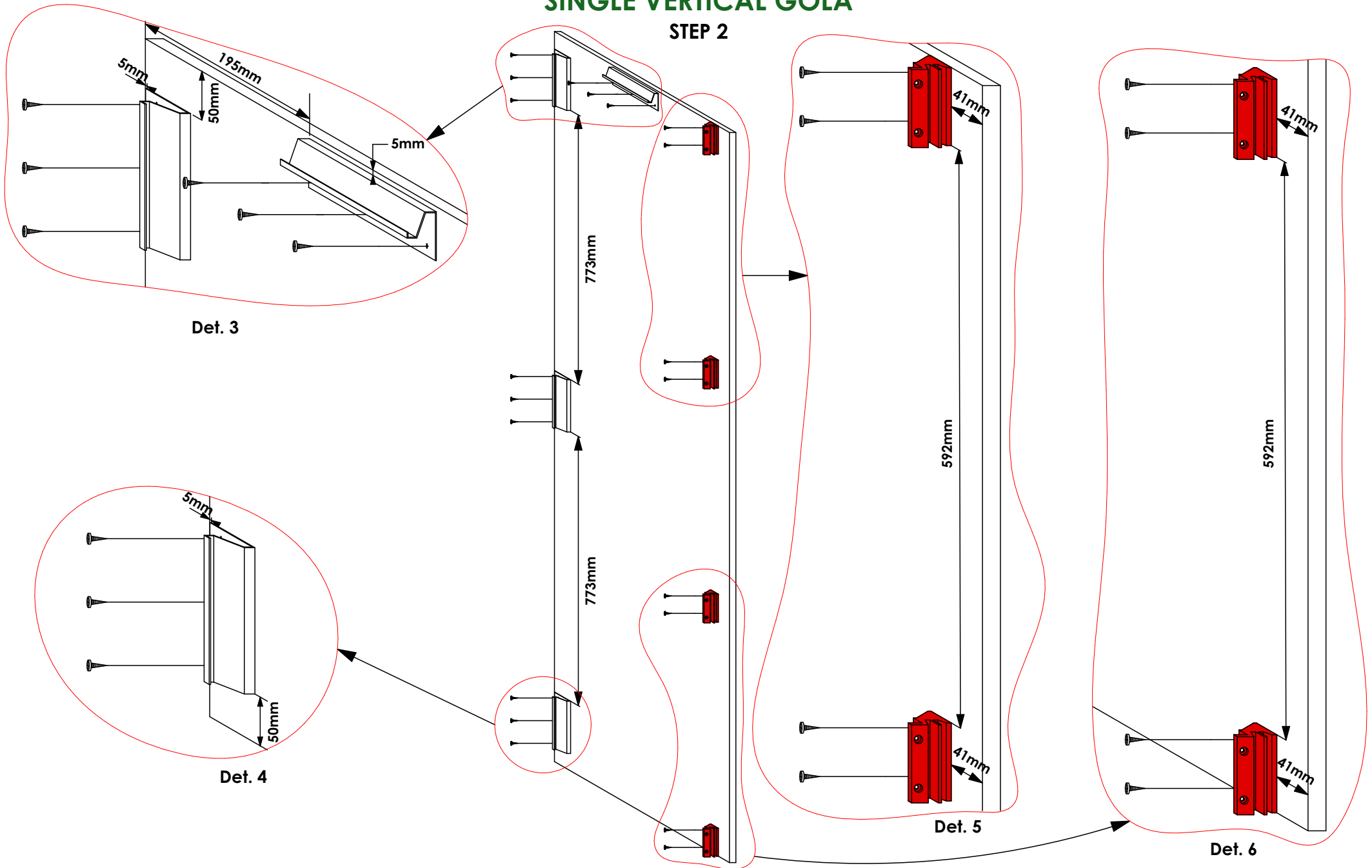


For an end panel connecting to a Tall Cabinet, connect the provided steel brackets in the shown positions using the provided screws.  
Use the pre-drilled pilot holes as a guide. See **Det. 1** & **Det. 2**.

# GOLA INSTALLATION GUIDE

## SINGLE VERTICAL GOLA

### STEP 2



On the end panel, connect the provided **steel brackets** and **Single Vertical Gola Snap-on brackets** in the shown positions using the provided screws. See **Def. 3 - Def. 6** for measurements.

# GOLA INSTALLATION GUIDE

## SINGLE VERTICAL GOLA

### STEP 3

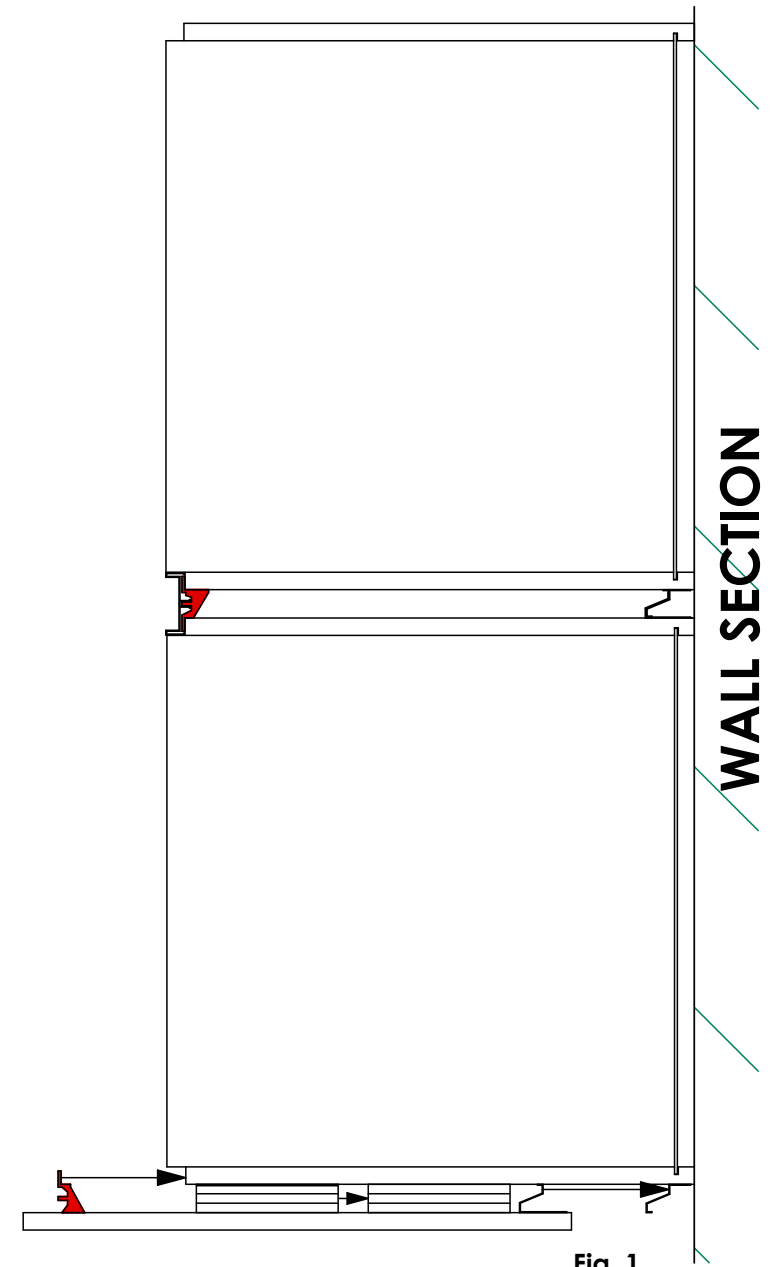
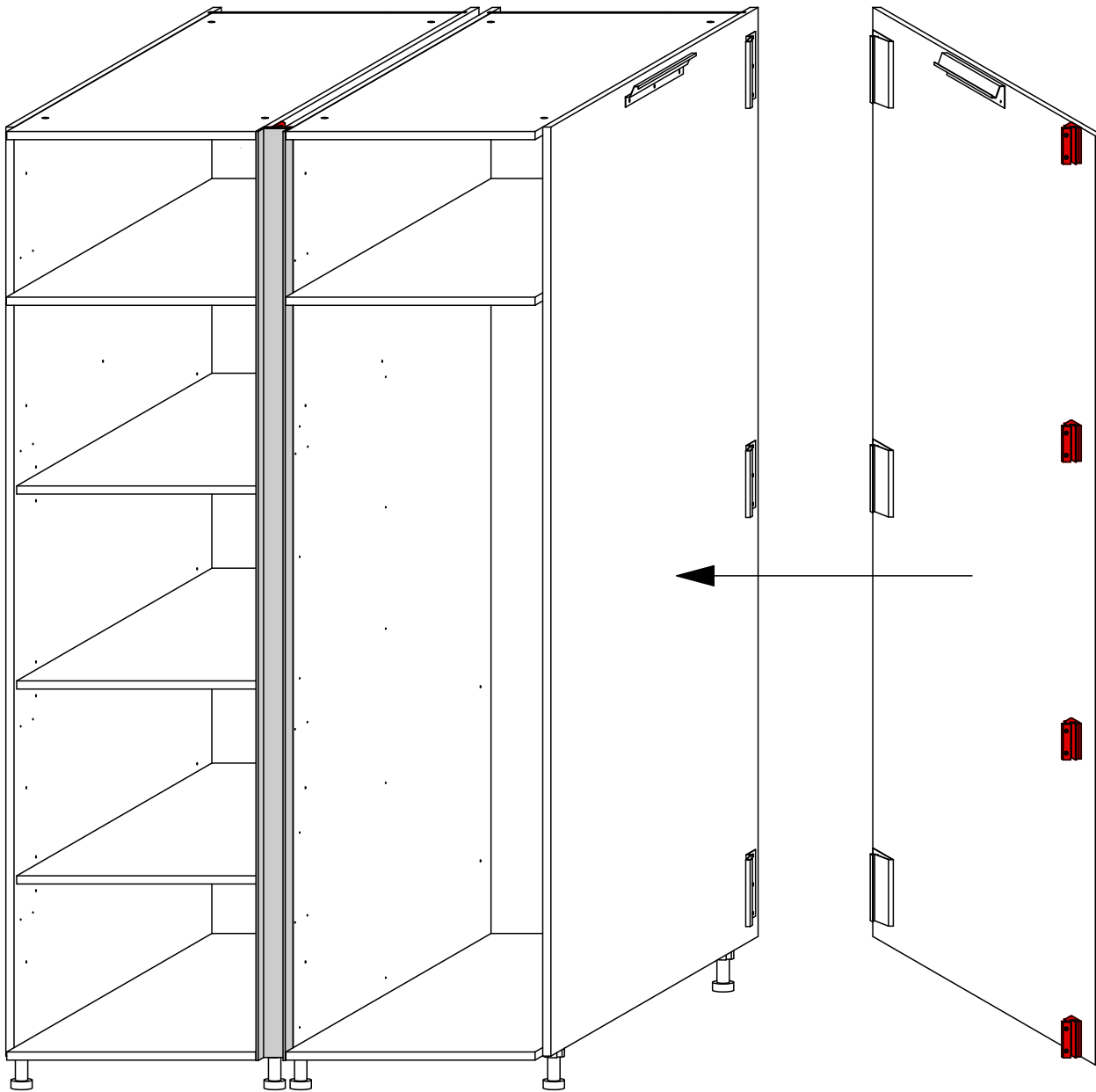


Fig. 1

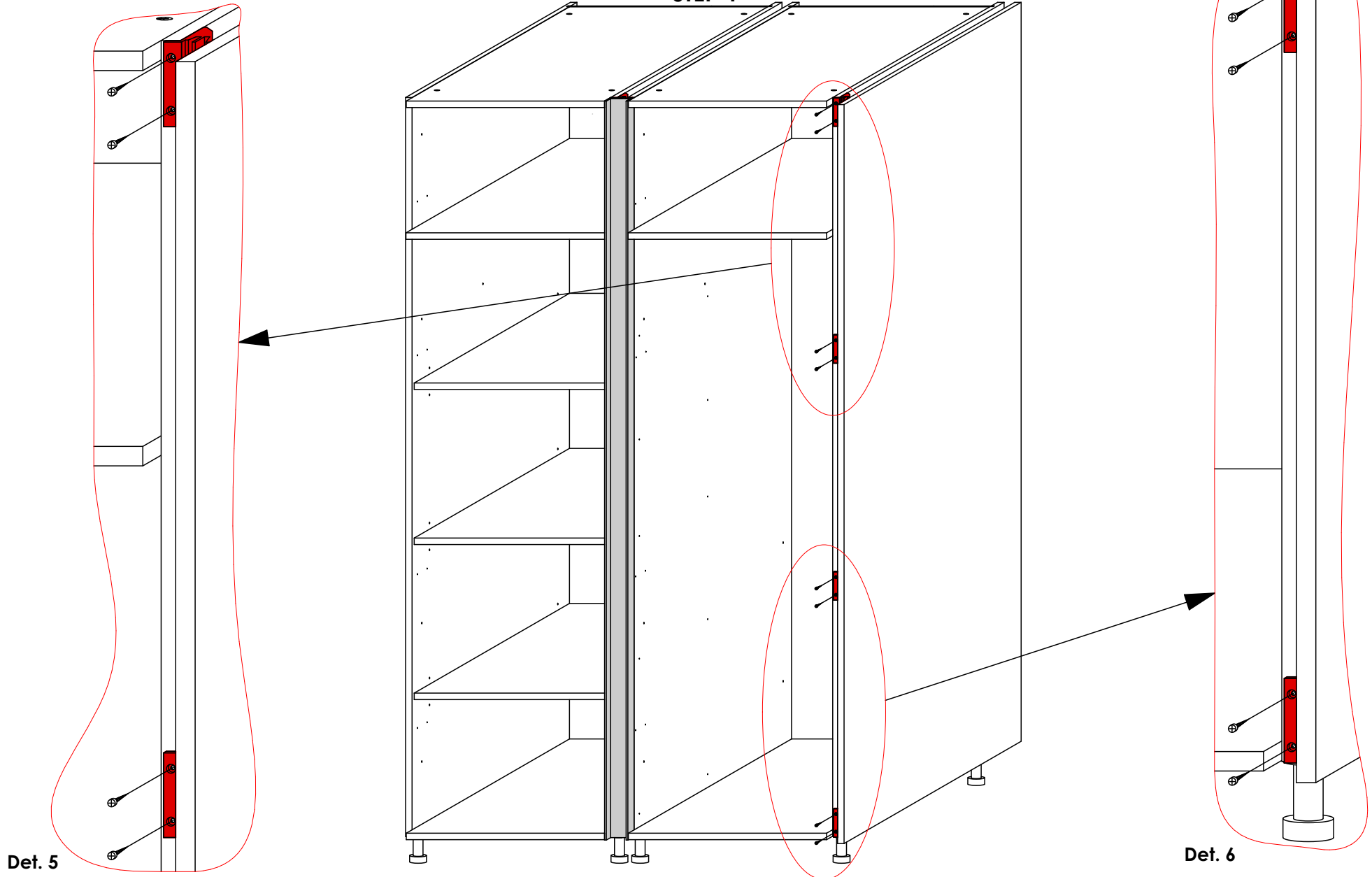
PLAN VIEW

Connect the end panel to the tall cabinet as shown. See **Fig. 1** for details.

# GOLA INSTALLATION GUIDE

## SINGLE VERTICAL GOLA

### STEP 4



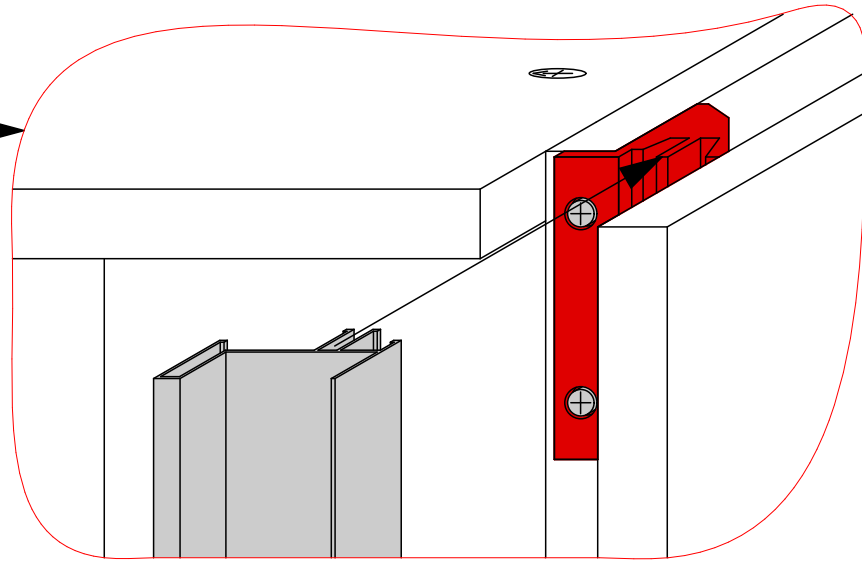
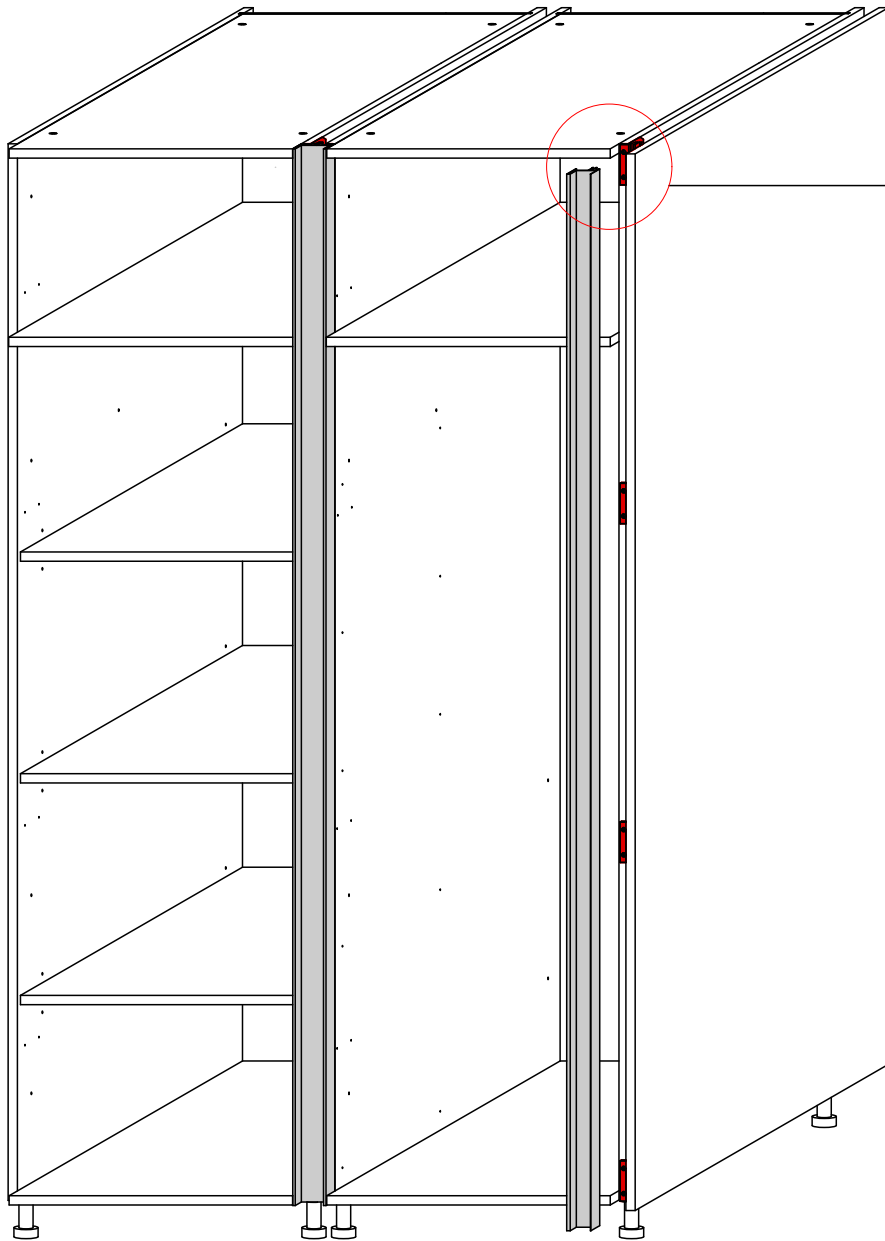
With the **steel brackets interlocked** and the **Single Vertical Gola Snap-on brackets in position**, add the provided screws for the **Single Vertical Gola Snap-on brackets** in the shown positions. See **Det. 5 & Det. 6**.



# GOLA INSTALLATION GUIDE

## SINGLE VERTICAL GOLA

### STEP 5



Det. 7

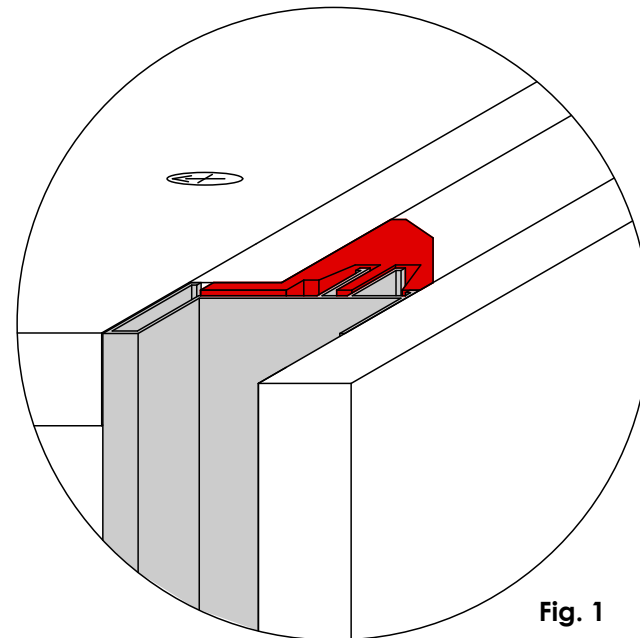


Fig. 1

Snap the **Single Vertical Gola Profile** into the **Single Vertical Gola Snap-on brackets**. See **Det. 7 & Fig. 1**.