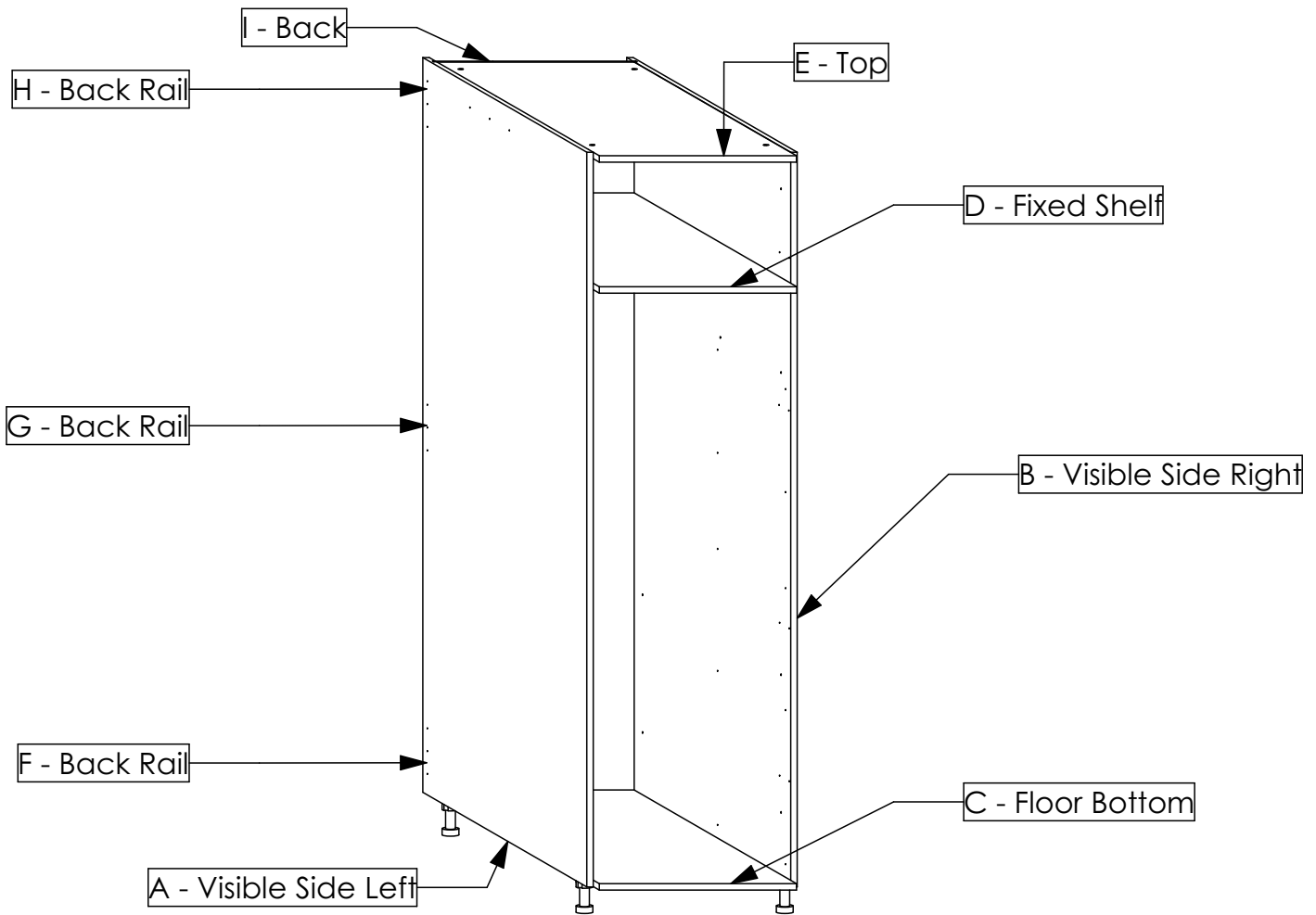


BLUM GOLA FLATPAX KITCHEN RANGE







ASSEMBLY GUIDE

TALL CABINET DRAW 600mm



TOTAL NUMBER OF PANELS: 9

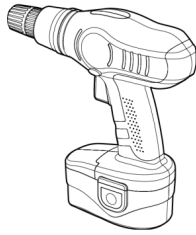
HARDWARE

PRODUCT	QTY	IMAGE
Dufix	18	
Minifix	18	
Wooden Dowel	36	
Screw 3.5 x 16mm	22	
Plinth Leg With Base H100mm Kit	4	
Cabinet Connecting Screw Kit	6	

TOOLS REQUIRED



Screw Driver
(Poizidriv Head)



Cordless Drill



Pozi Bit (PZ2)



8mm Drill Bit

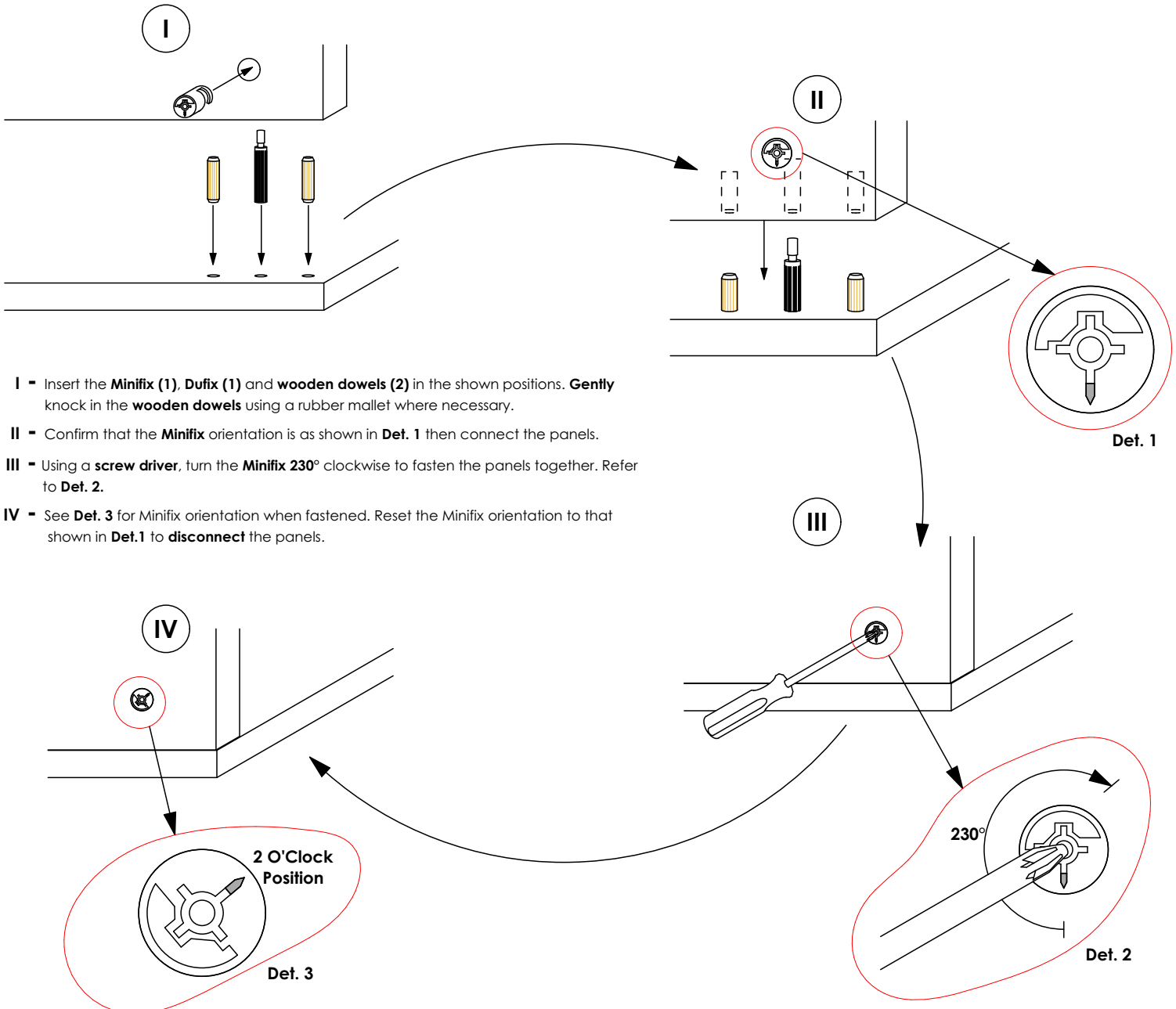


Rubber Mallet

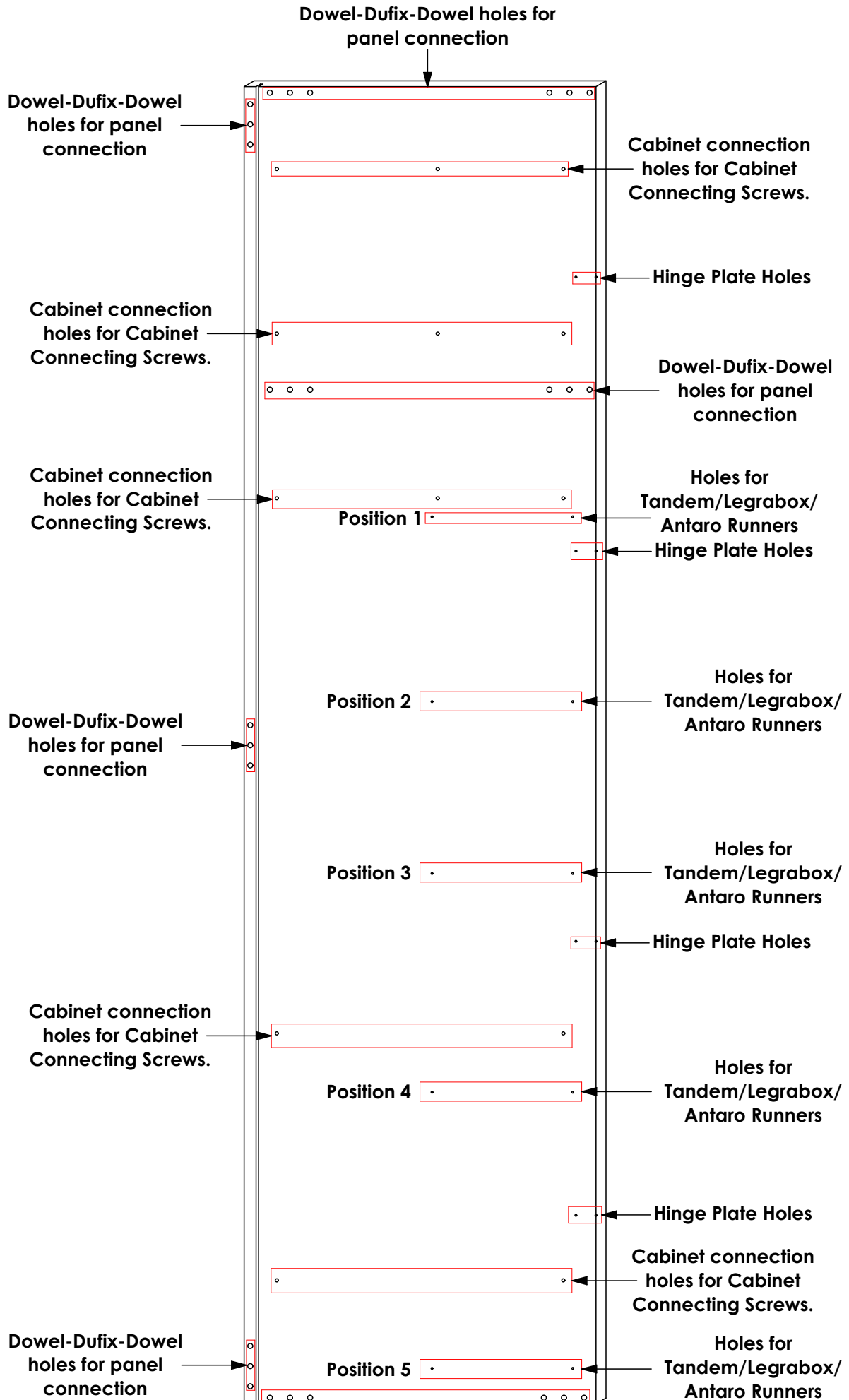
GENERAL INSTRUCTIONS

1. Confirm that all panels (9) are in the package before assembling.
2. Check the white sticker on each panel for the labelling (A, B, C, D, E, F, G, H & I).
3. Ensure that the panels are laid on a non-abrasive surface when assembling.
4. Note that all panel connections are done using the system described below.

PANEL CONNECTION AND FASTENING

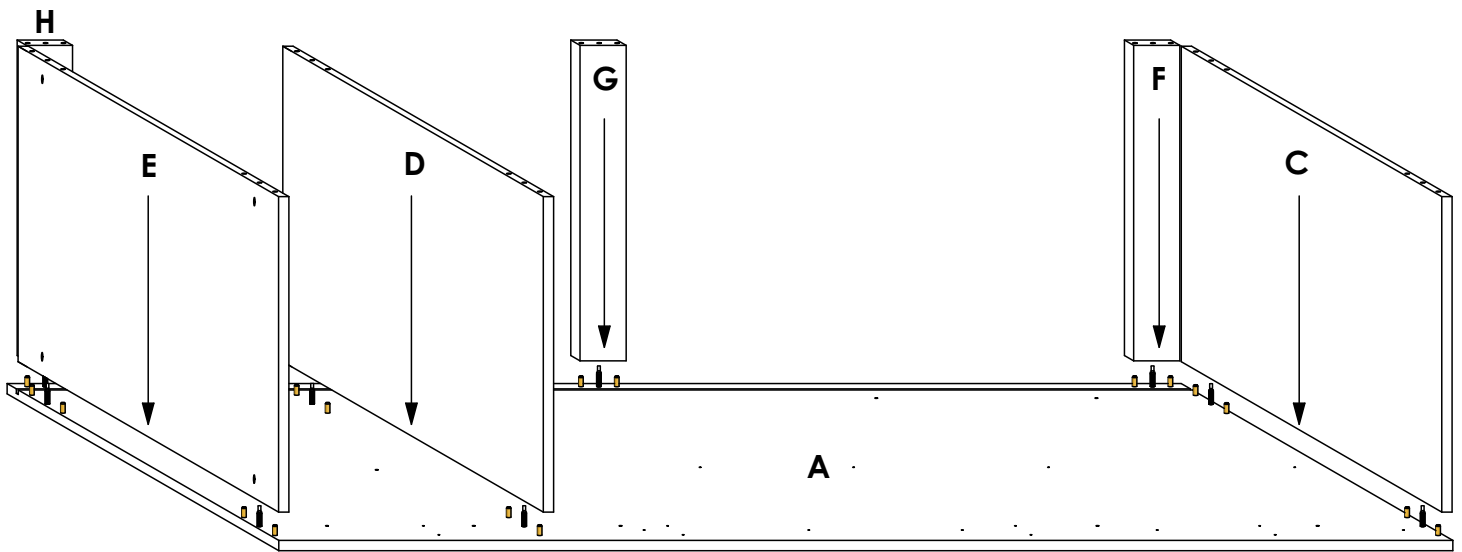


PILOT HOLES GUIDE FOR SIDE PANELS



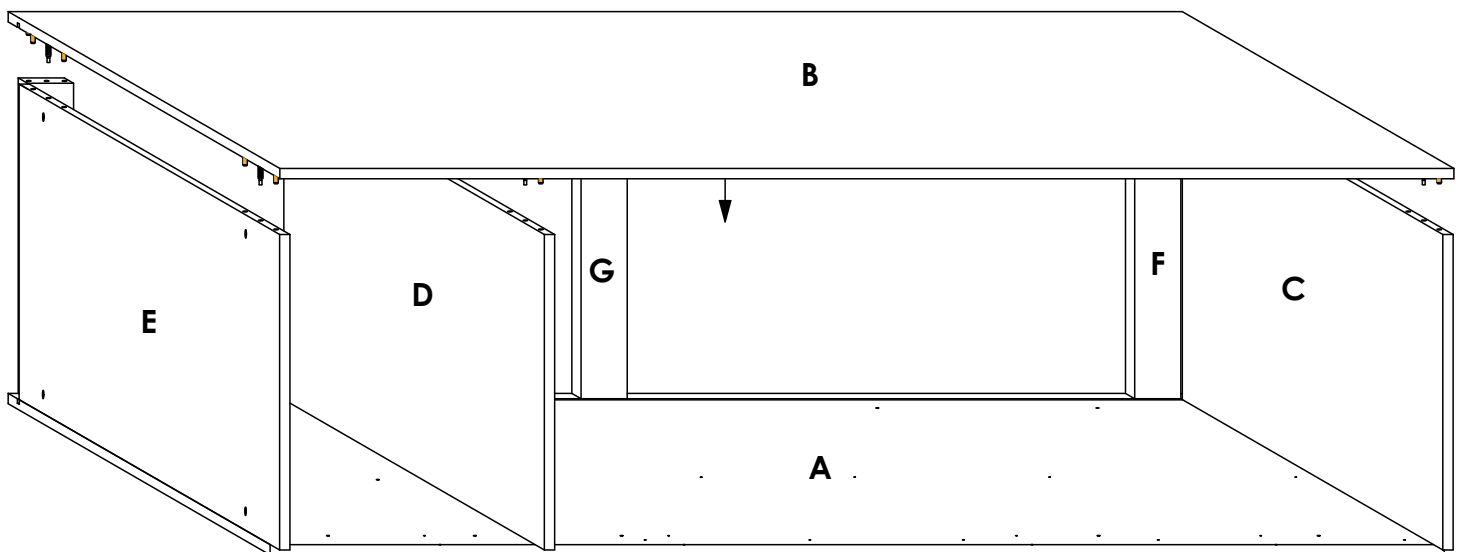
Dowel-Dufix-Dowel holes for panel connection

STEP 1



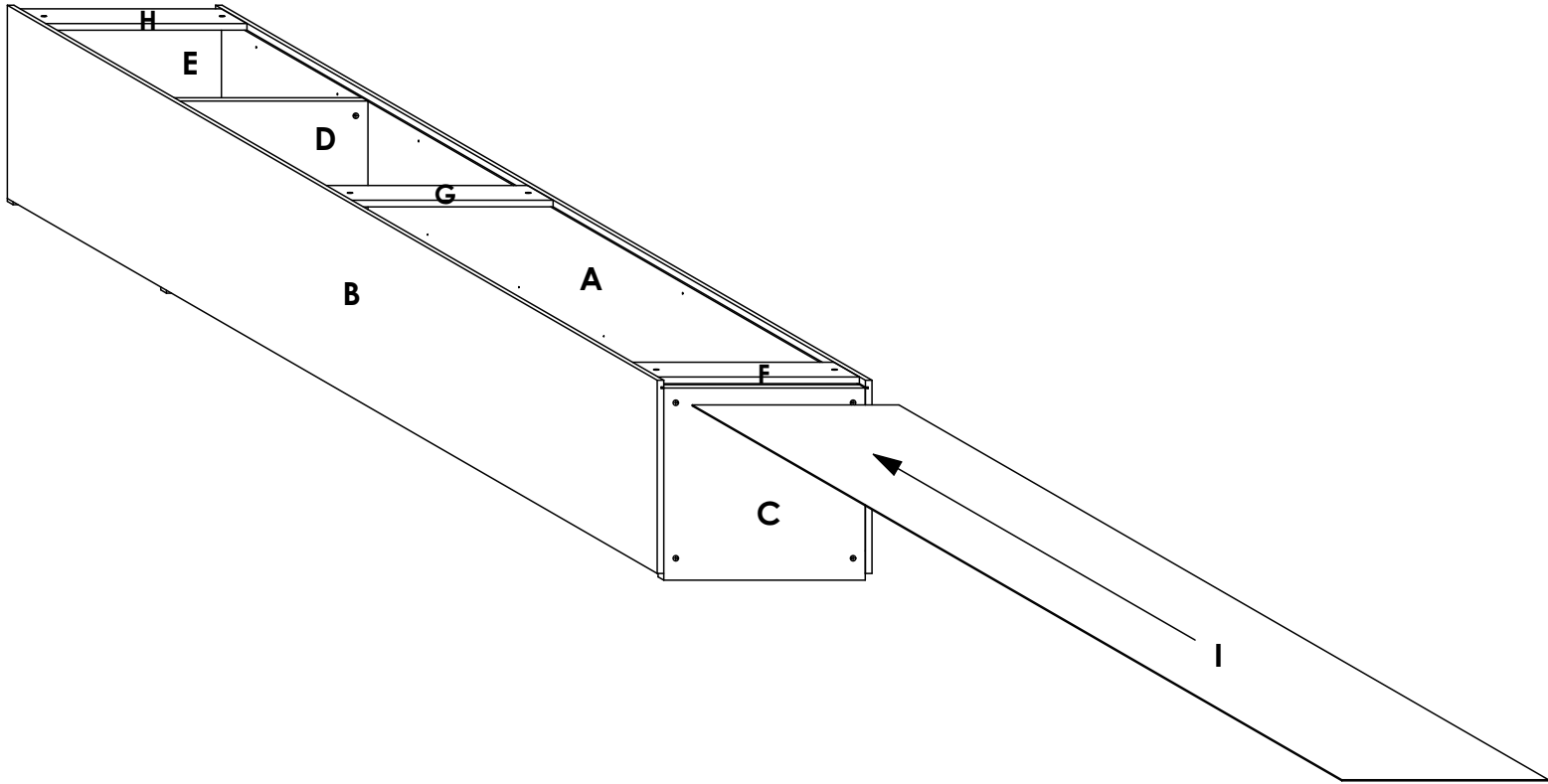
Connect panels **C, D, E, F, G & H** to panel **A** as shown. Refer to the holes and/or grooves on the diagram to determine the panel orientation.

STEP 2



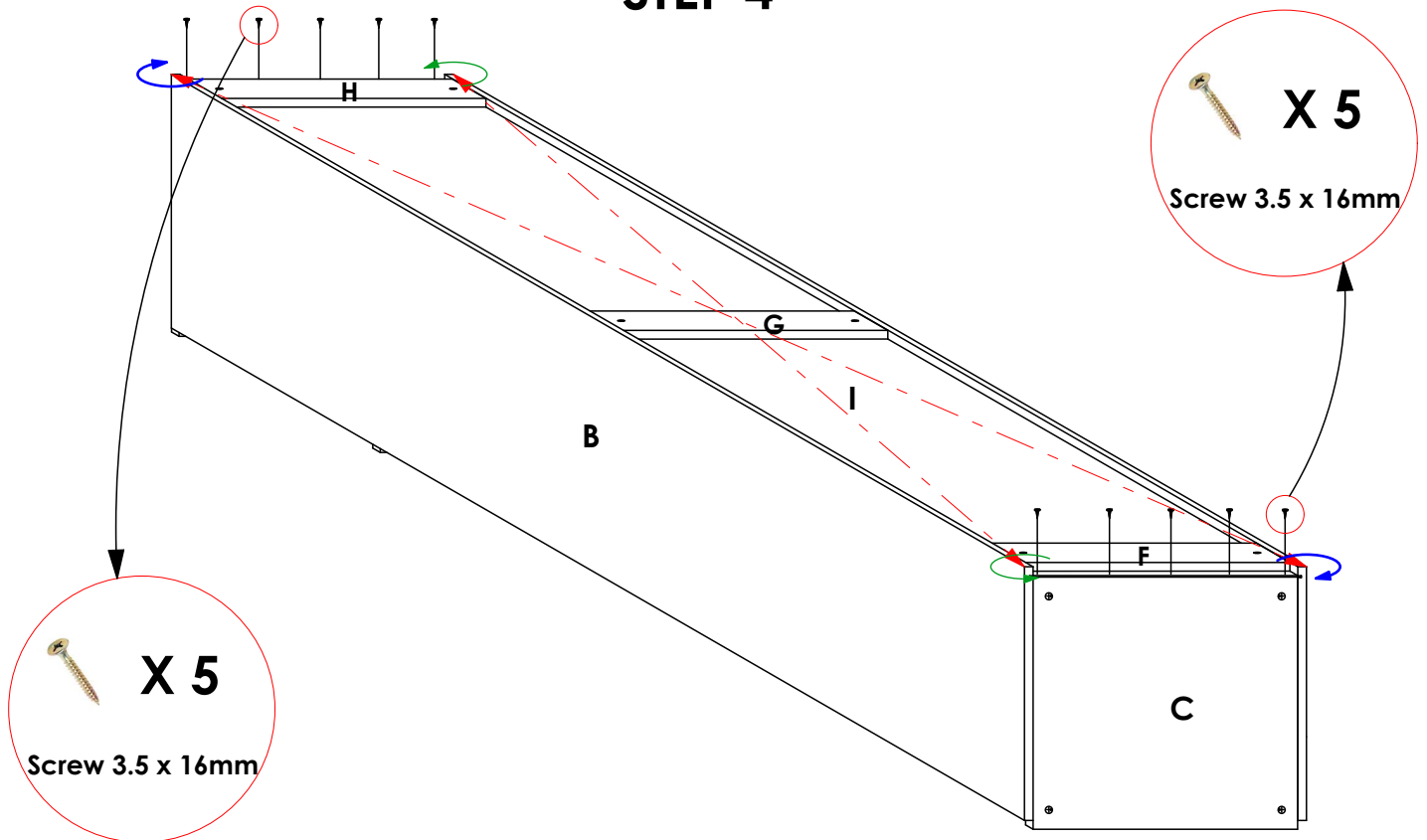
Connect panel **B** to panels **C, D, E, F, G & H** as shown. Refer to the holes and/or grooves on the diagram to determine the panel orientation.

STEP 3



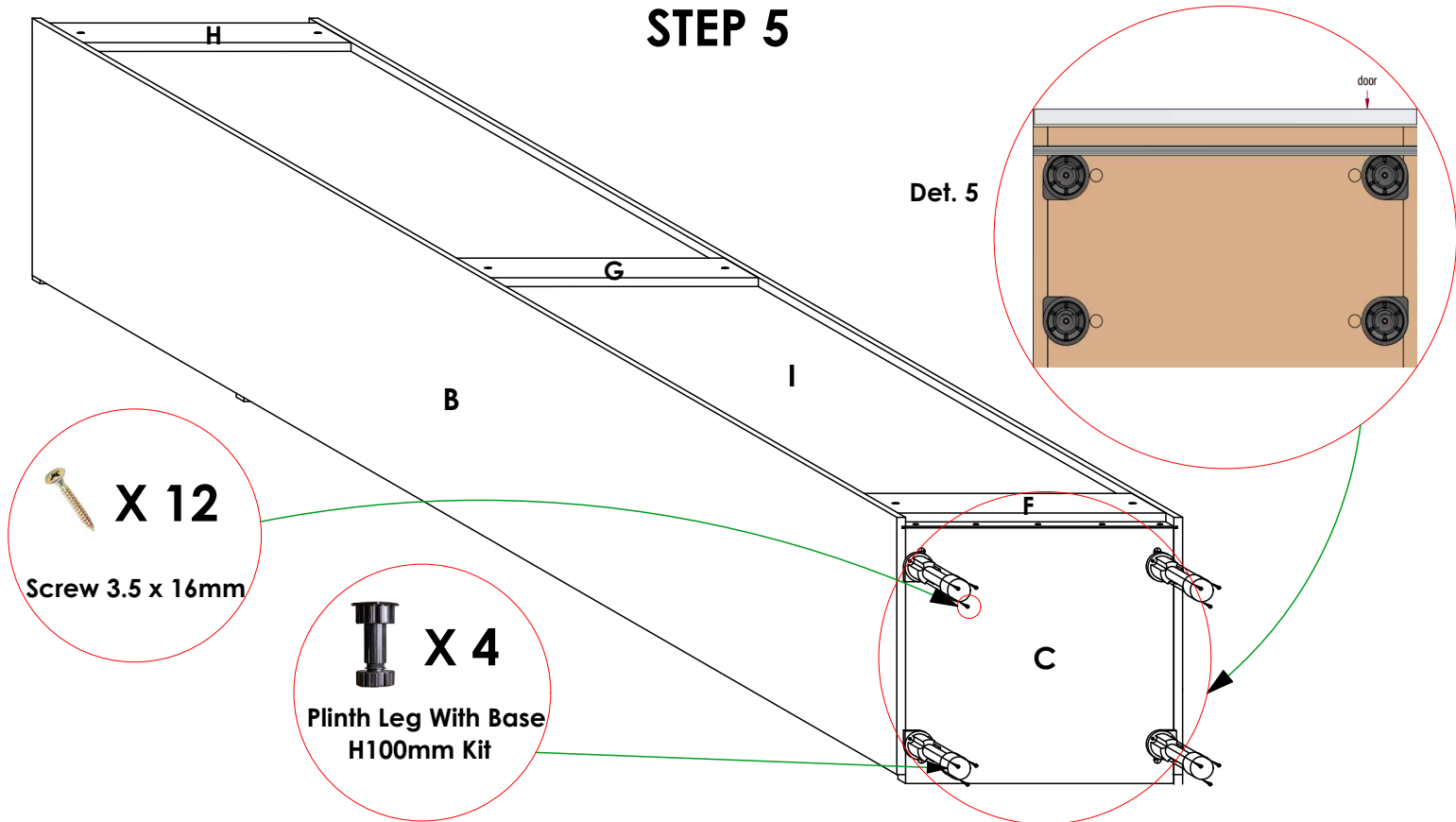
Slide the 3mm panel (I) into the groove on panels **A & B** with the finished side facing down. Refer to the holes and/or grooves on the diagram to determine the panel orientation.

STEP 4



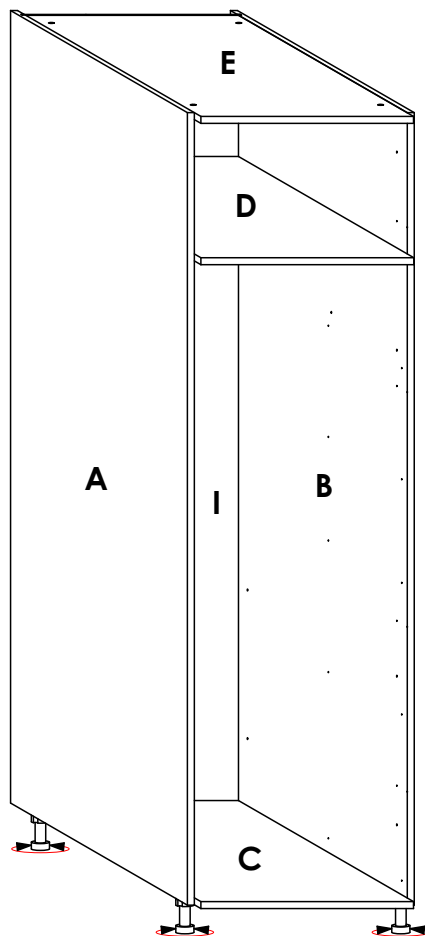
First, **check the diagonal** of the cabinet by measuring the two distances indicated by the broken lines. They should be equal. If not, twist the cabinet accordingly in the diagonal corners as shown until an equal value is achieved. After, secure panel **I** to panels **C & E** as shown using **Screw 3.5 X 16mm**.

STEP 5



Place the four units of **Plinth Leg With Base** in the shown positions, aligning with the pre-drilled pilot holes on panel **C**. Ensure that the orientation is as shown in **Det. 5**. Using **Screw 3.5 X 16mm**, secure the legs onto panel **C**.

STEP 6

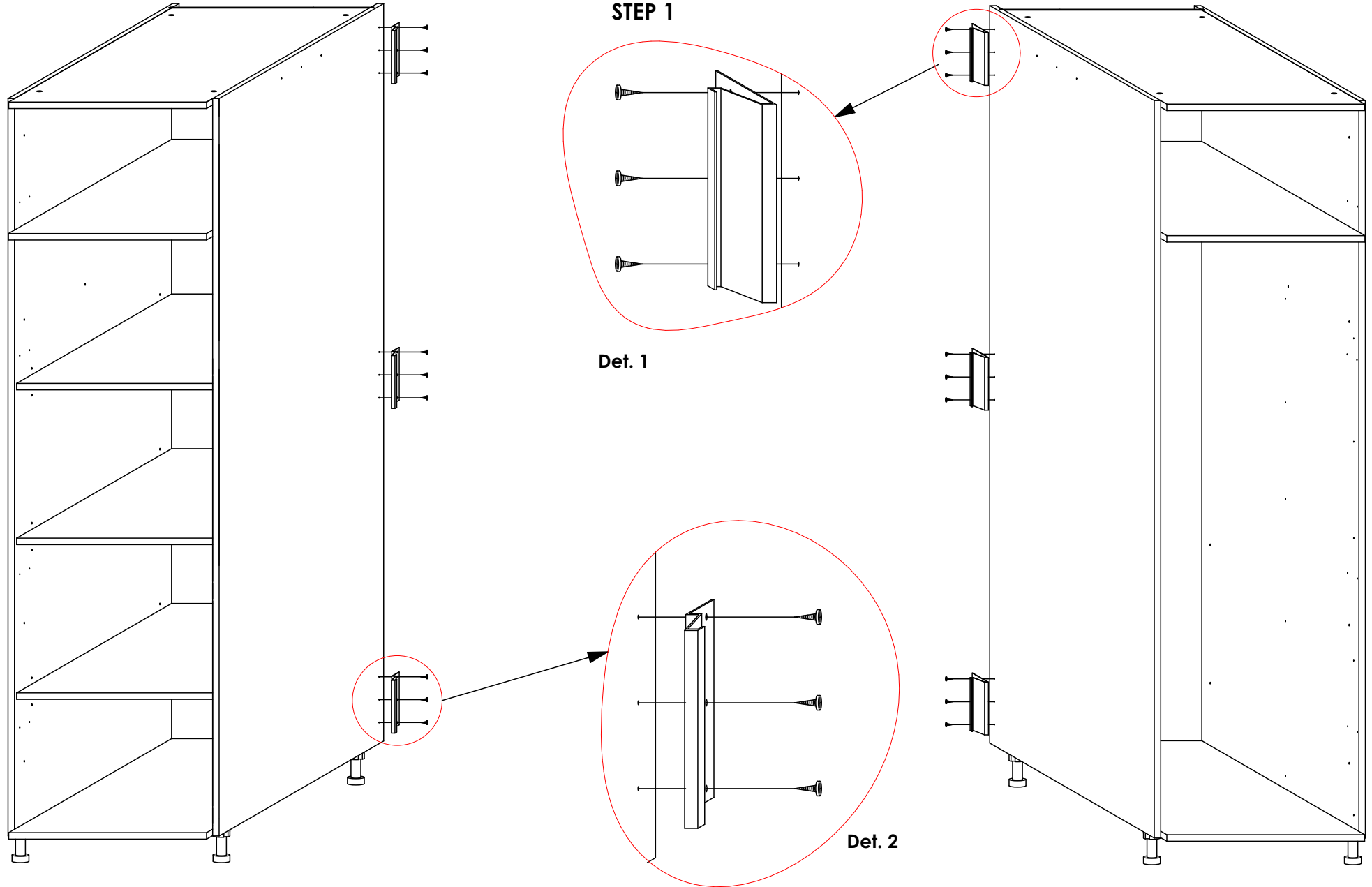


Flip the cabinet upright, place it in the desired position and adjust its height by rotating the base of the legs as shown to level.

GOLA INSTALLATION GUIDE

DOUBLE VERTICAL GOLA

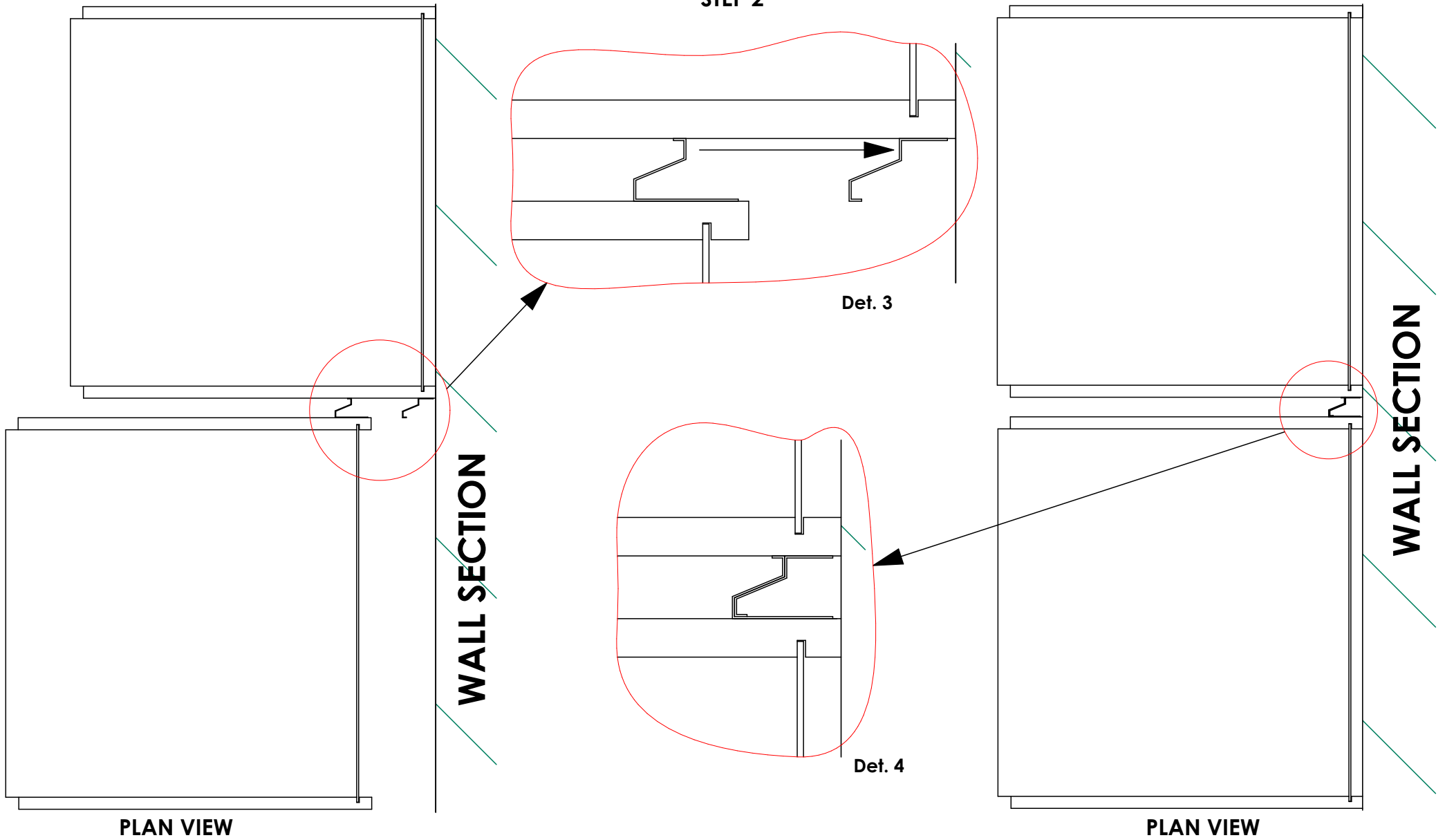
STEP 1



For two adjoining Tall Cabinets, connect the provided steel brackets in the shown positions using the provided screws. Use the pre-drilled pilot holes as a guide. See **Det. 1 & Det. 2.**

GOLA INSTALLATION GUIDE DOUBLE VERTICAL GOLA

STEP 2

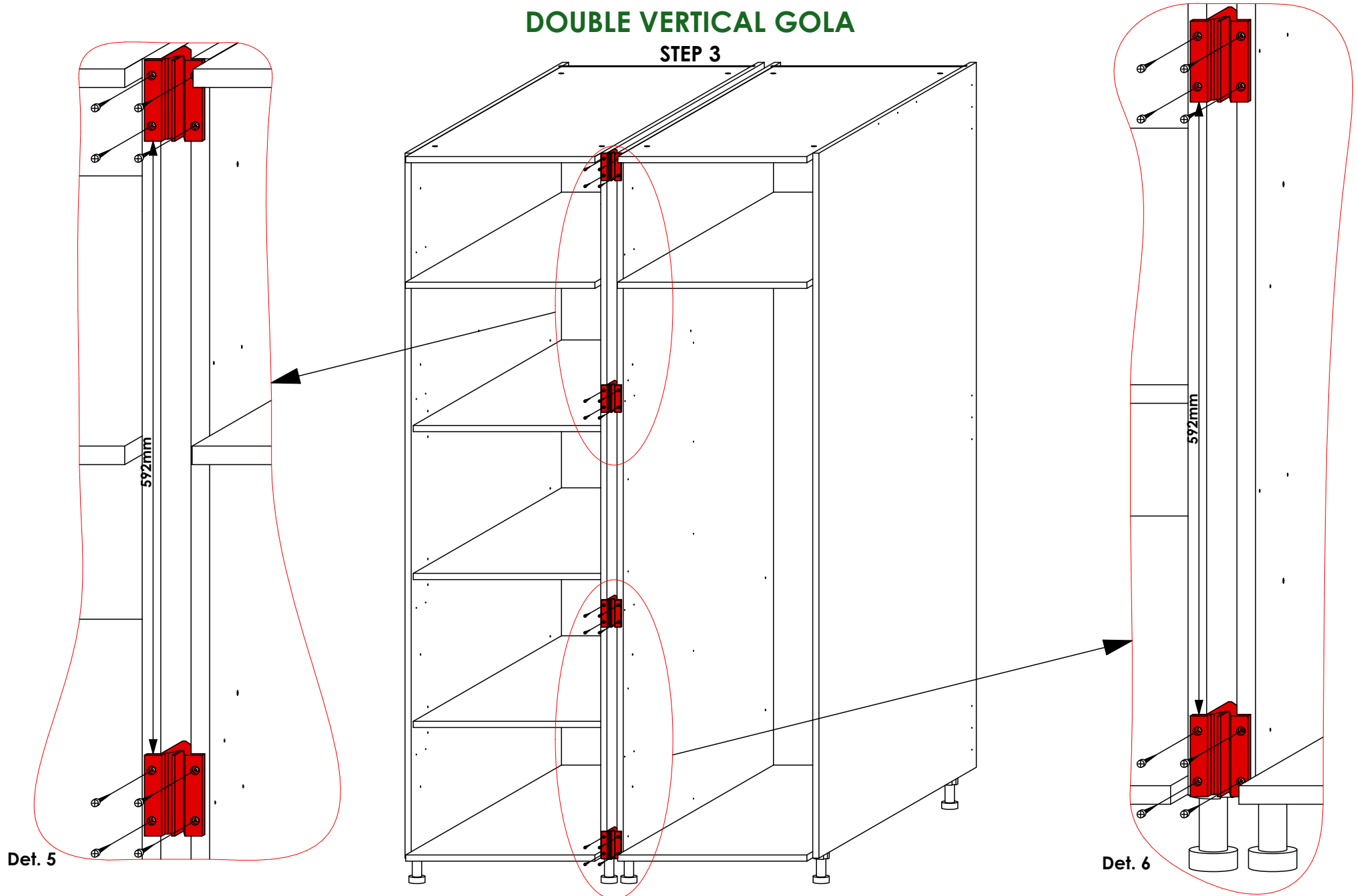


Connect the adjoining cabinets such that the steel brackets interlock. See **Det. 3** & **Det. 4**.

GOLA INSTALLATION GUIDE

DOUBLE VERTICAL GOLA

STEP 3

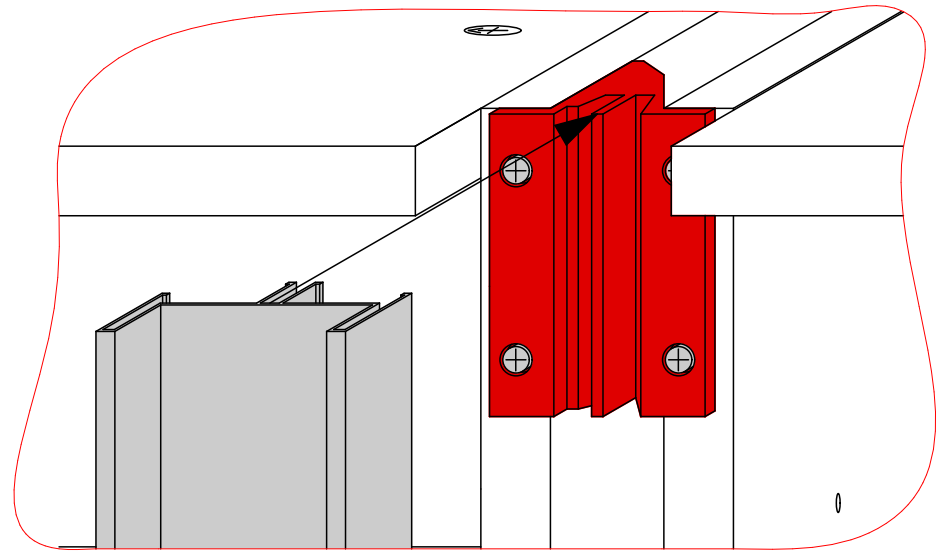
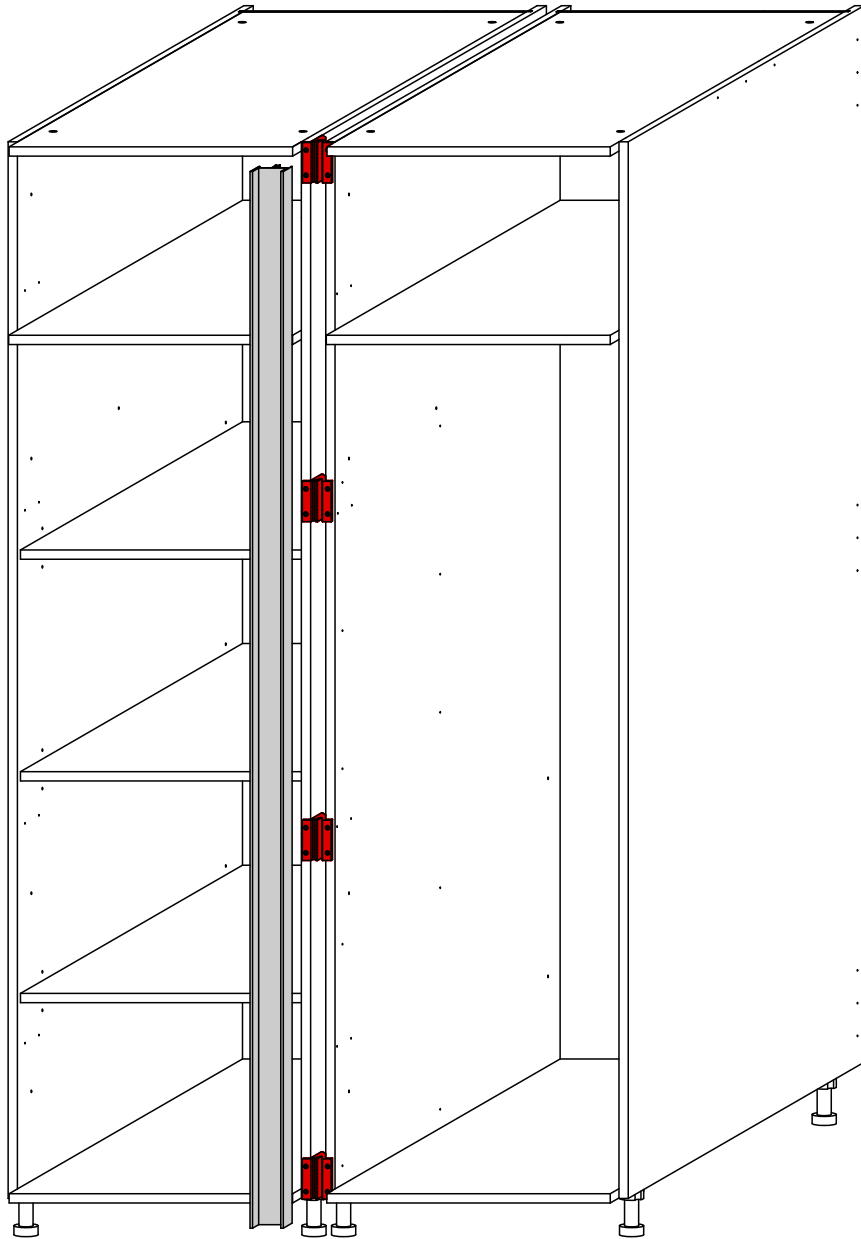


With the steel brackets interlocked, connect the **Double Vertical Gola Snap-on brackets** in the shown positions using the provided screws. See **Det. 5 & Det. 6** for measurements.

GOLA INSTALLATION GUIDE

DOUBLE VERTICAL GOLA

STEP 4



Det. 7

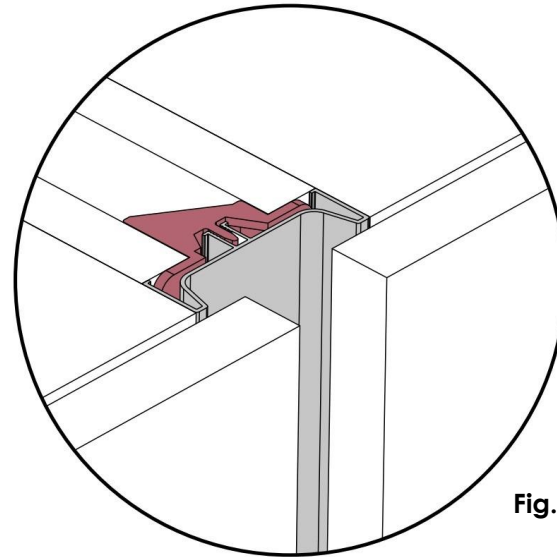
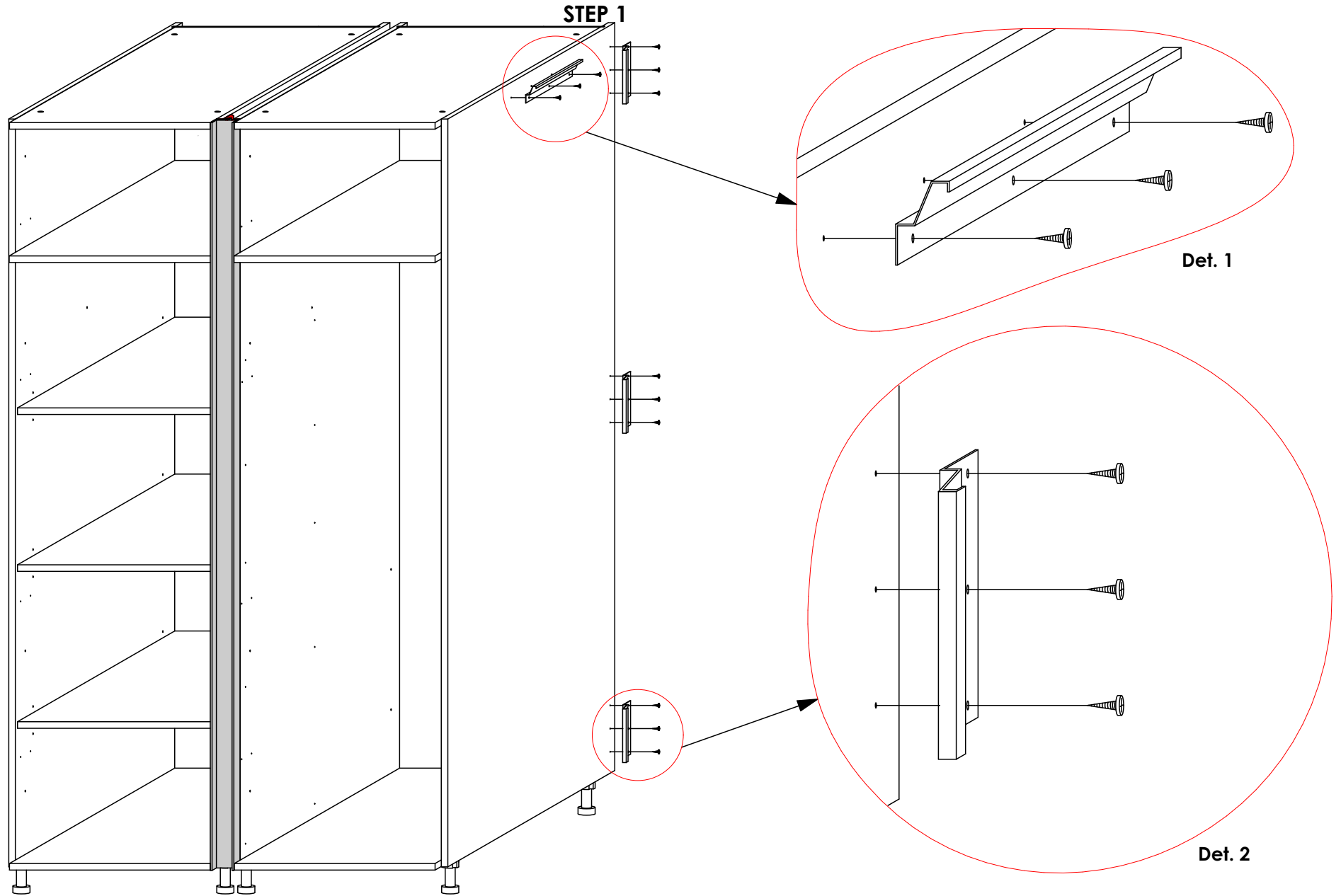


Fig. 1

Snap the **Double Vertical Gola Profile** into the **Double Vertical Gola Snap-on brackets**. See **Det. 7 & Fig. 1**.

GOLA INSTALLATION GUIDE

SINGLE VERTICAL GOLA

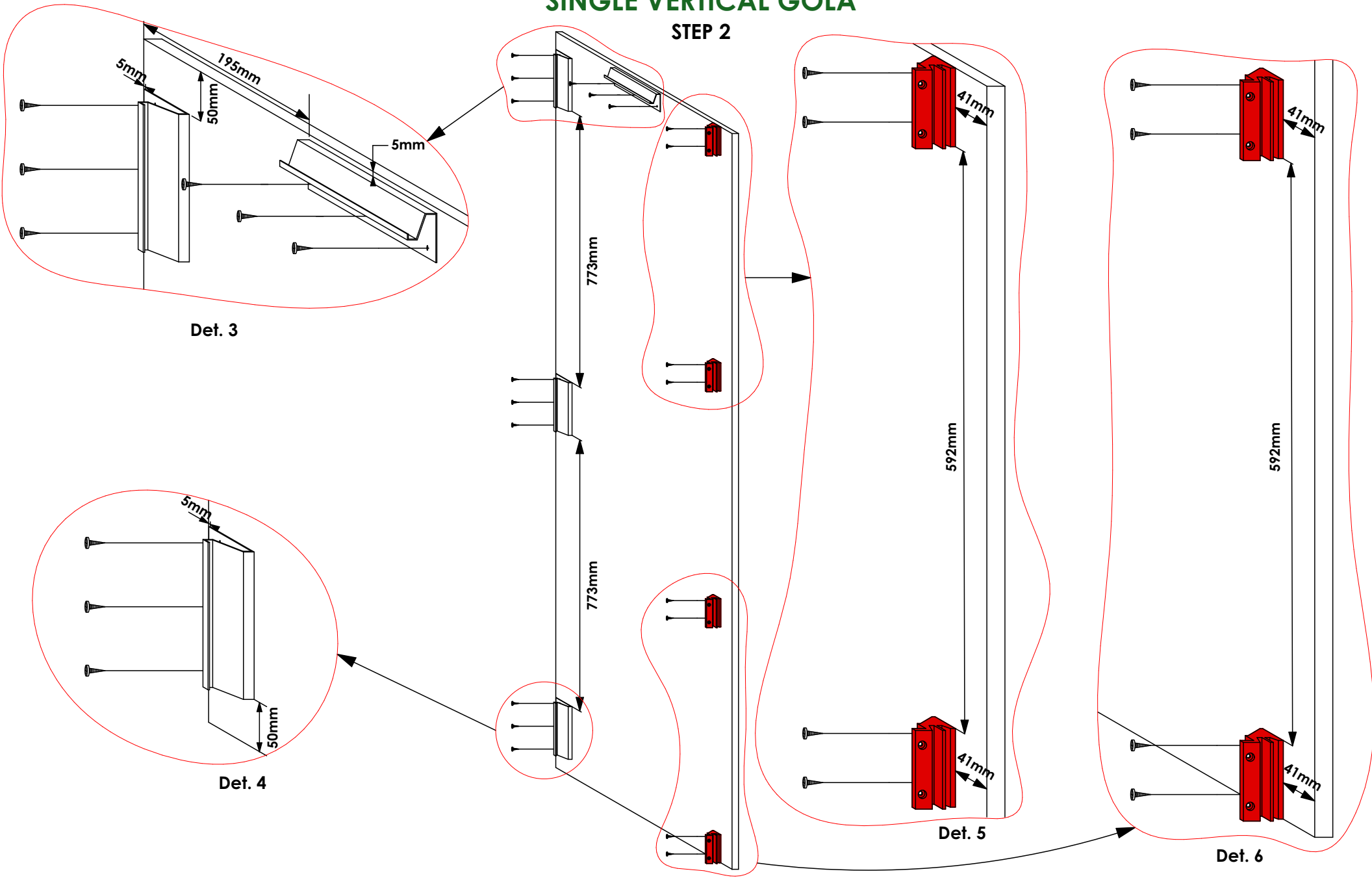


For an end panel connecting to a Tall Cabinet, connect the provided steel brackets in the shown positions using the provided screws.
Use the pre-drilled pilot holes as a guide. See **Det. 1** & **Det. 2**.

GOLA INSTALLATION GUIDE

SINGLE VERTICAL GOLA

STEP 2



On the end panel, connect the provided **steel brackets** and **Single Vertical Gola Snap-on brackets** in the shown positions using the provided screws. See **Def. 3 - Def. 6** for measurements.

GOLA INSTALLATION GUIDE

SINGLE VERTICAL GOLA

STEP 3

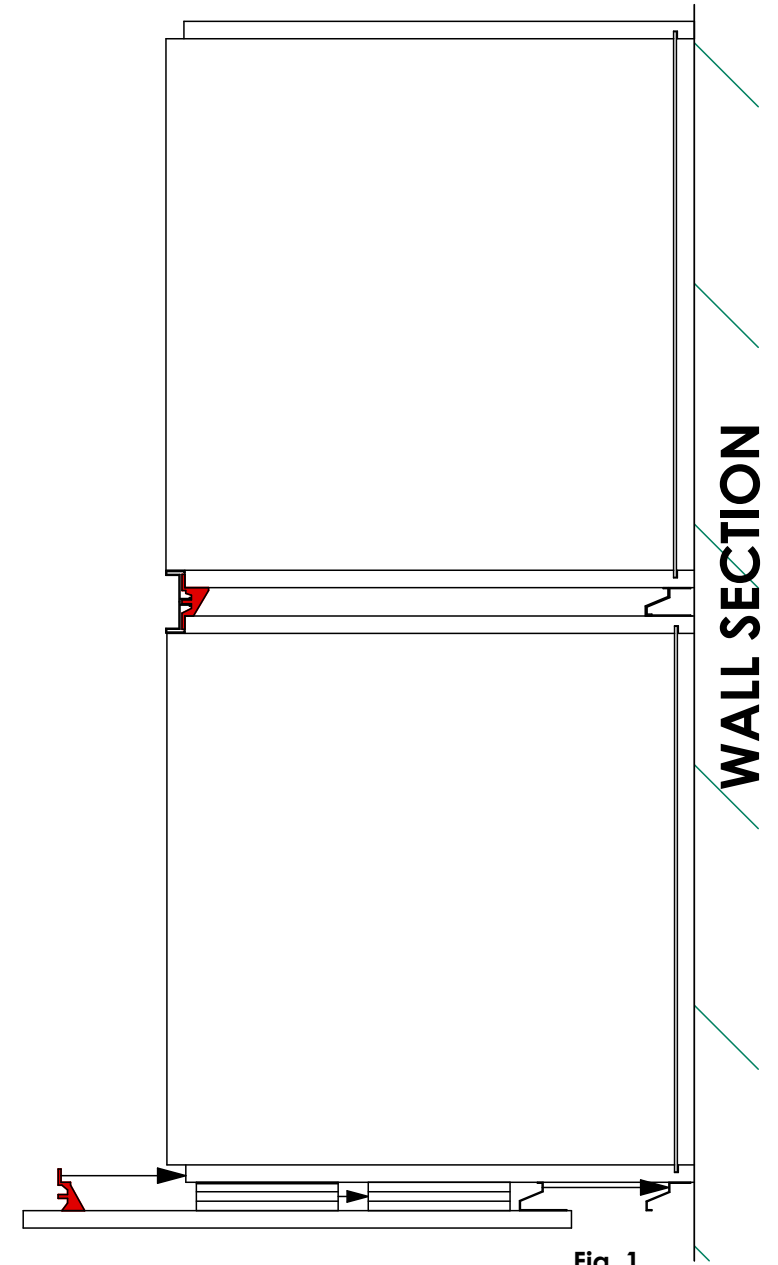
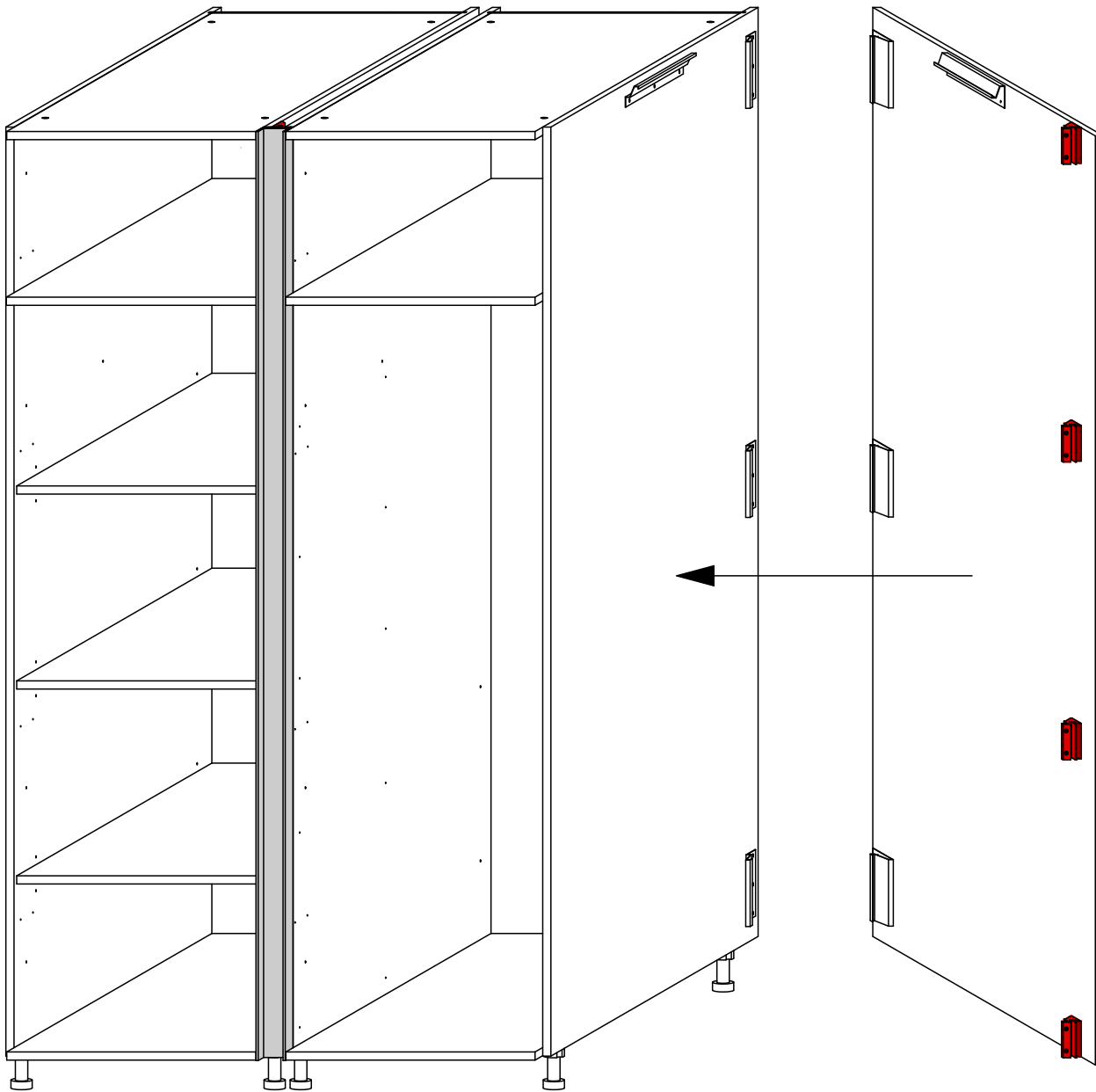


Fig. 1

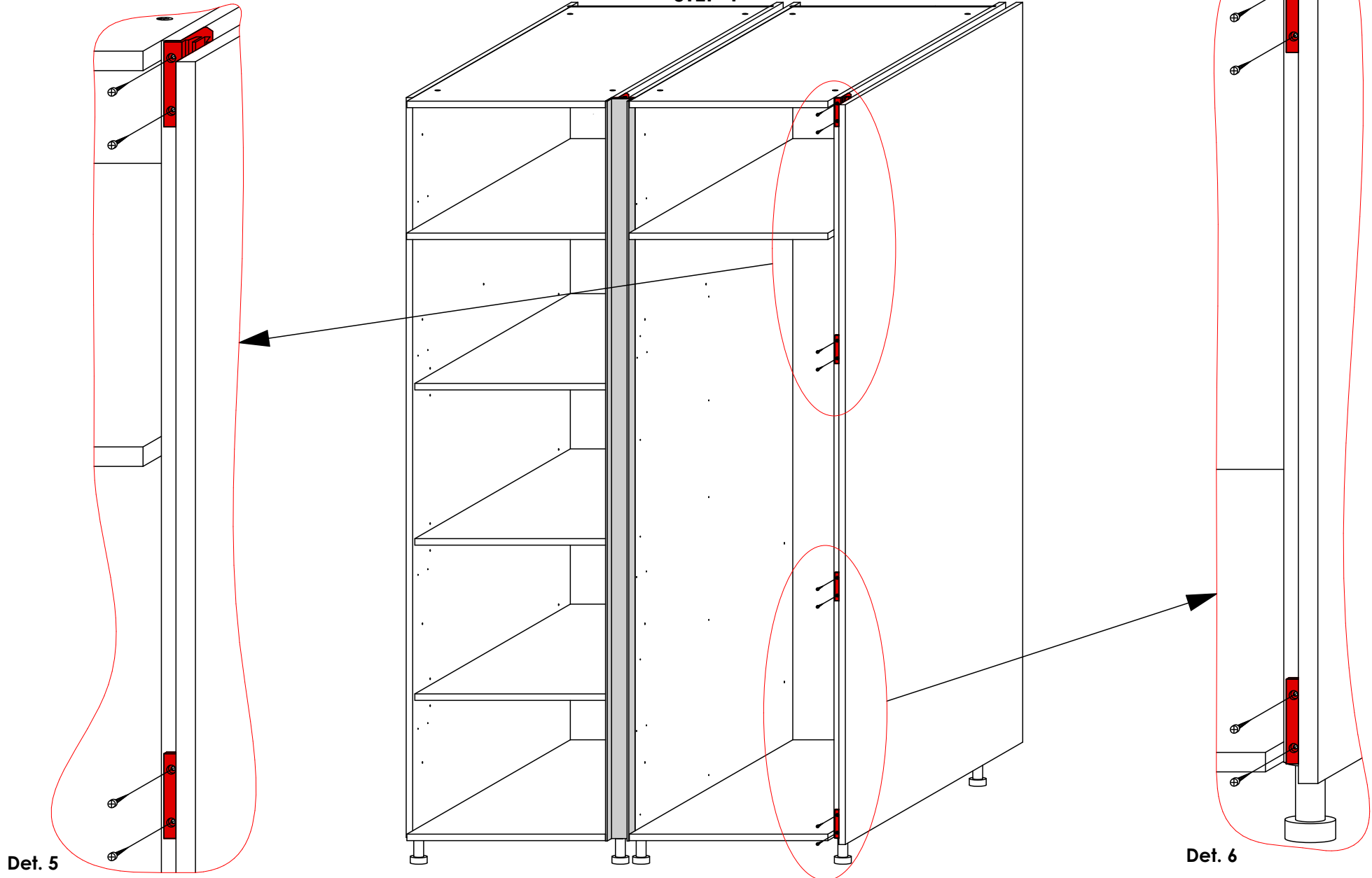
PLAN VIEW

Connect the end panel to the tall cabinet as shown. See **Fig. 1** for details.

GOLA INSTALLATION GUIDE

SINGLE VERTICAL GOLA

STEP 4

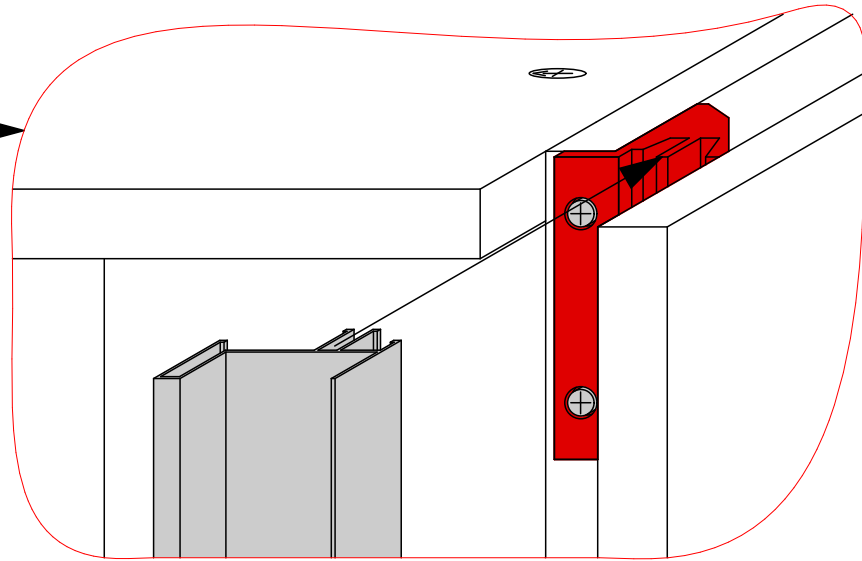
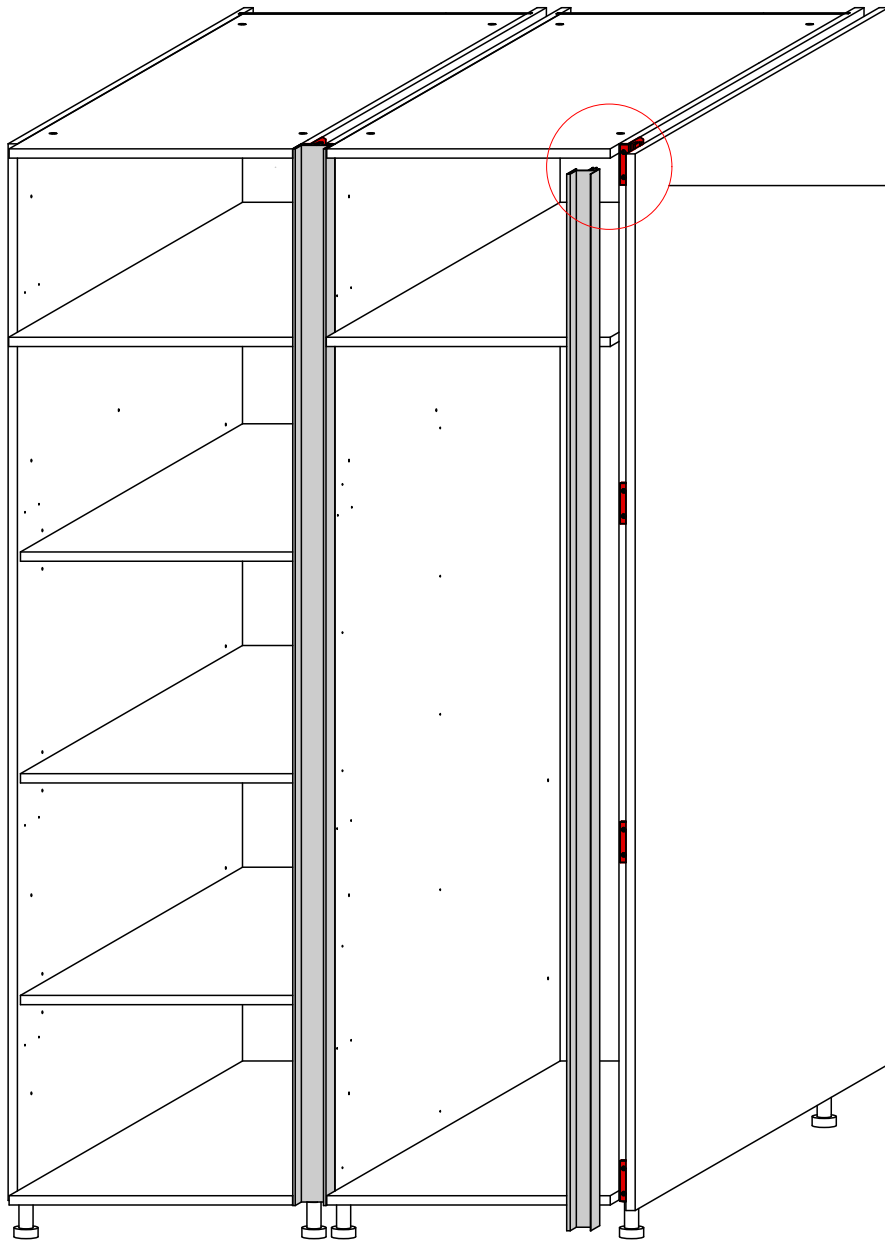


With the **steel brackets interlocked** and the **Single Vertical Gola Snap-on brackets in position**, add the provided screws for the **Single Vertical Gola Snap-on brackets** in the shown positions. See **Det. 5 & Det. 6**.

GOLA INSTALLATION GUIDE

SINGLE VERTICAL GOLA

STEP 5



Det. 7

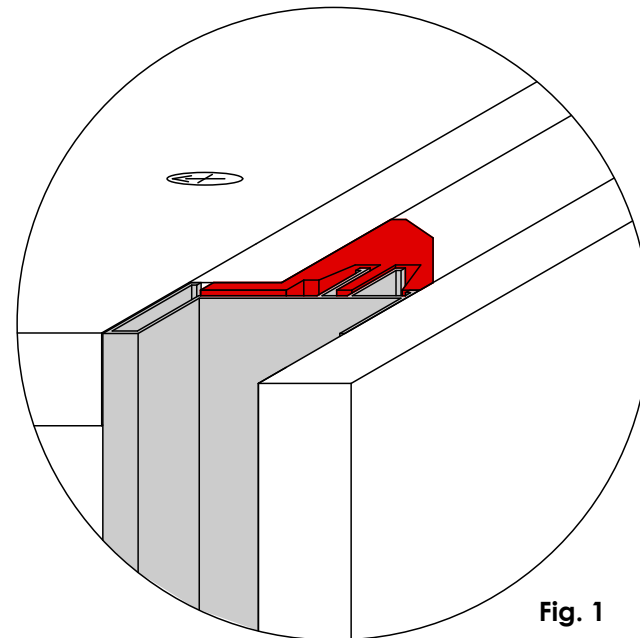


Fig. 1

Snap the **Single Vertical Gola Profile** into the **Single Vertical Gola Snap-on brackets**. See **Det. 7 & Fig. 1**.