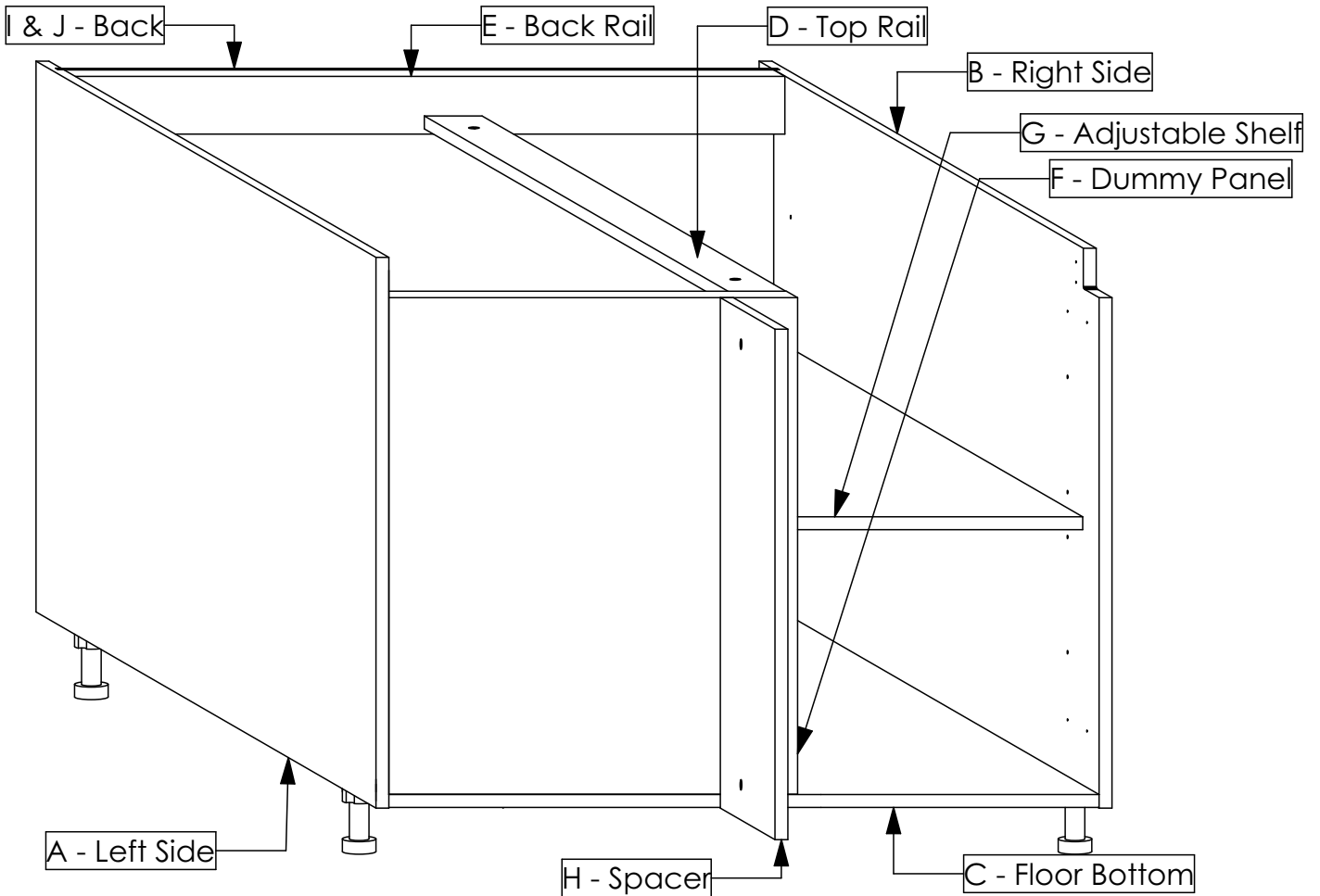


BLUM GOLA FLATPAX KITCHEN RANGE









ASSEMBLY GUIDE

BASE CABINET CORNER RIGHT 1050mm



TOTAL NUMBER OF PANELS: 10

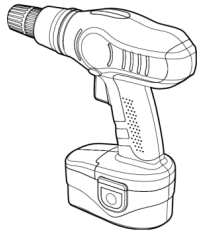
HARDWARE

PRODUCT	QTY	IMAGE
Dufix	8	
Minifix	8	
Wooden Dowel	16	
Screw 3.5 x 16mm	22	
Plinth Leg With Base H100mm Kit	5	
Cabinet Connecting Screw Kit	4	
H Profile Backer Connector	1	
Shelf Support Flipper 14mm Kit	4	

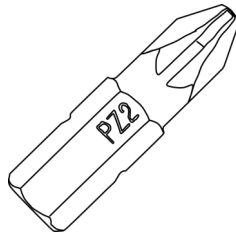
TOOLS REQUIRED



Screw Driver
(Pozi Drive Head)



Cordless Drill



Pozi Bit (PZ2)



8mm Drill Bit

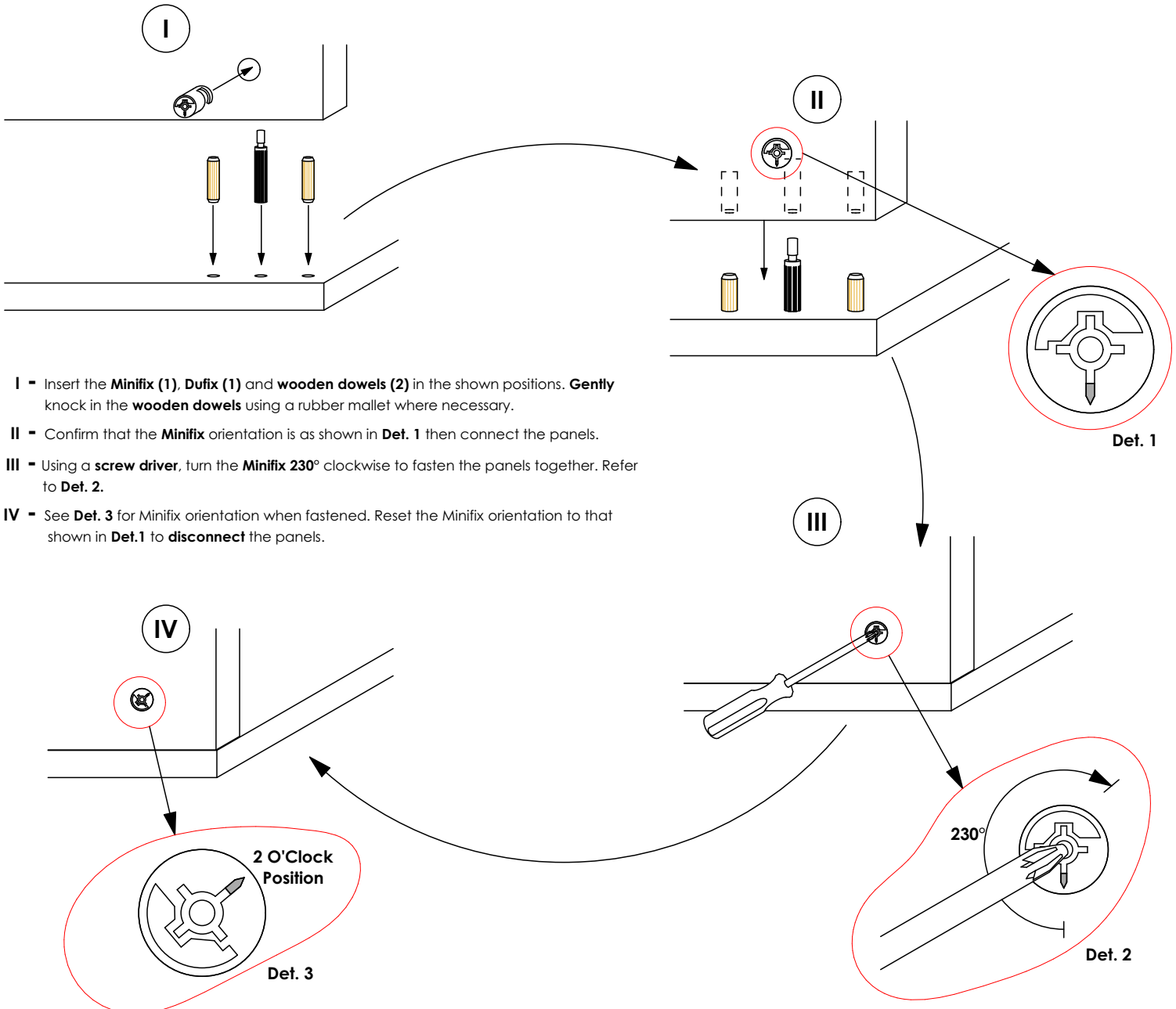


Rubber Mallet

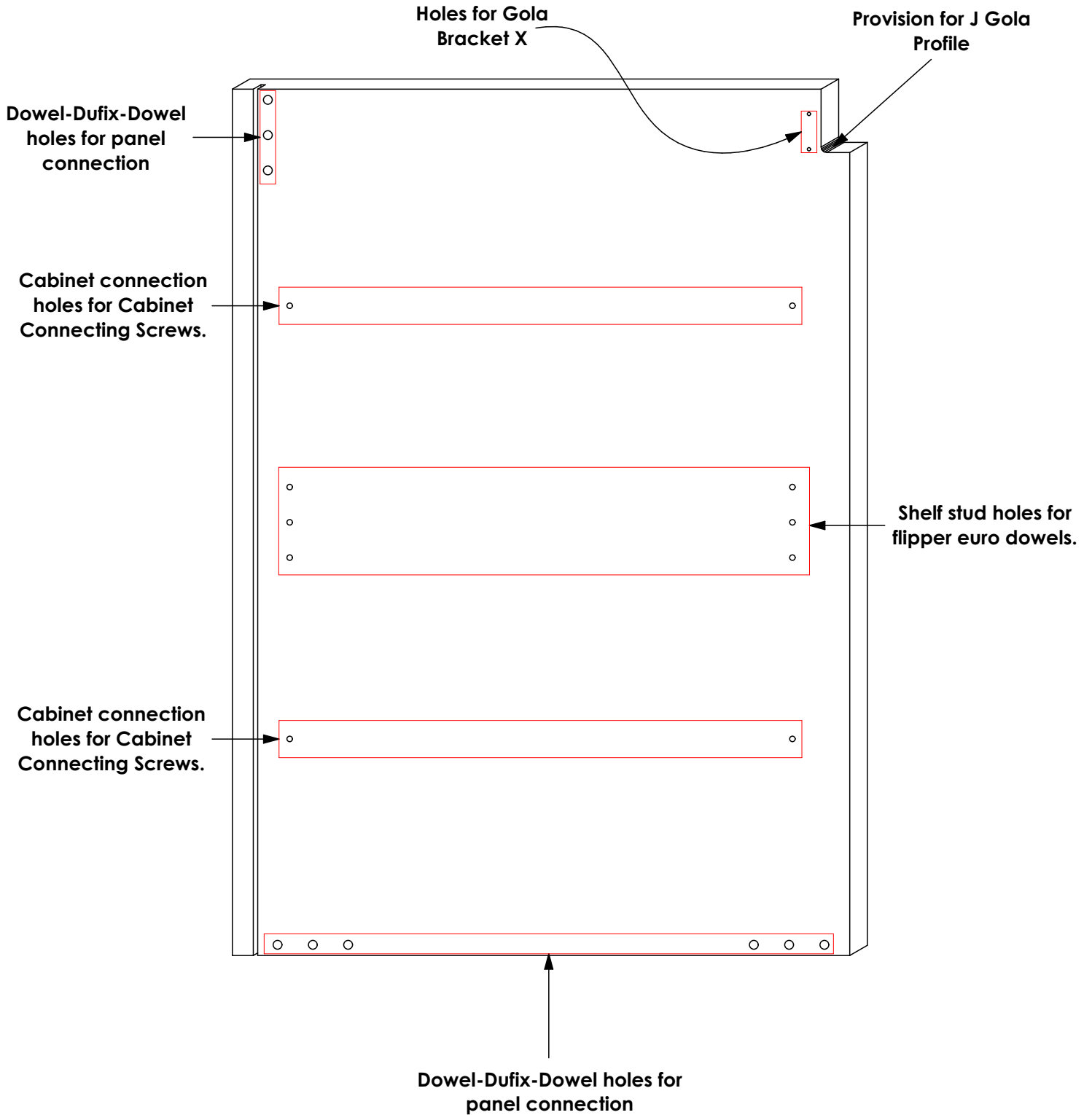
GENERAL INSTRUCTIONS

1. Confirm that all panels (10) are in the package before assembling.
2. Check the white sticker on each panel for the labelling (A, B, C, D, E, F, G, H, I & J).
3. Ensure that the panels are laid on a non-abrasive surface when assembling.
4. Note that all panel connections are done using the system described below.

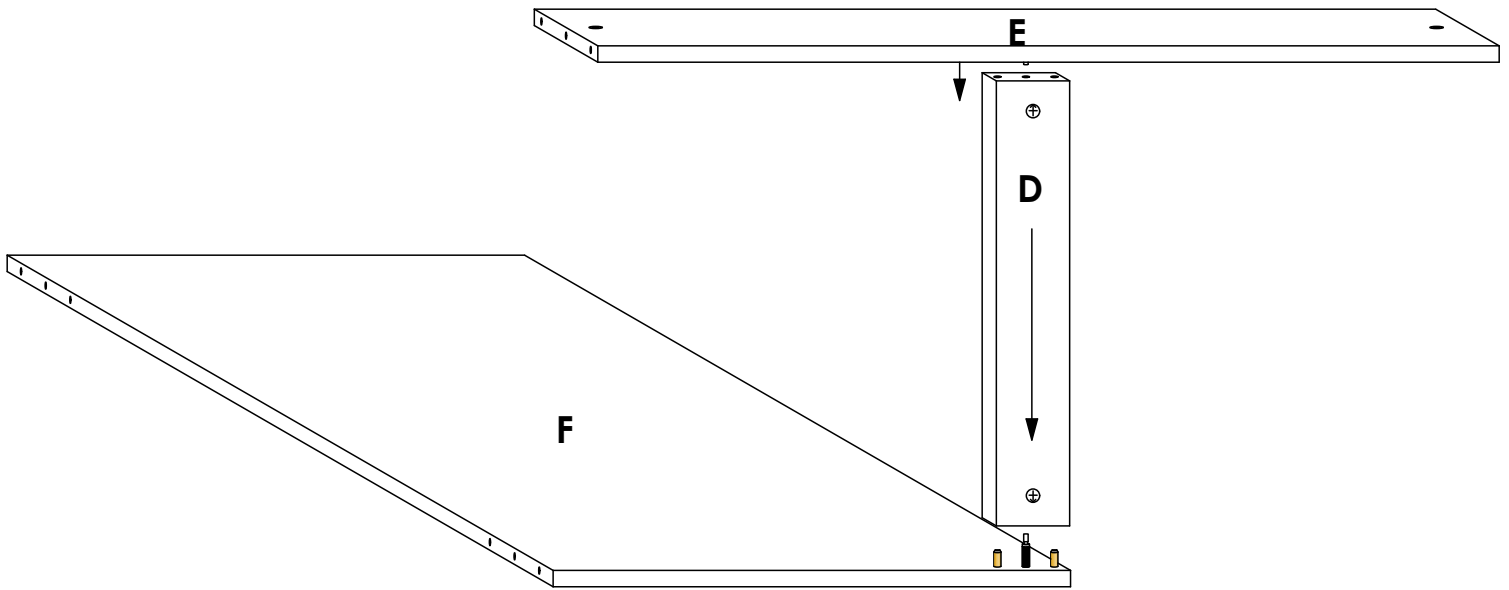
PANEL CONNECTION AND FASTENING



PILOT HOLES GUIDE FOR RIGHT SIDE PANEL

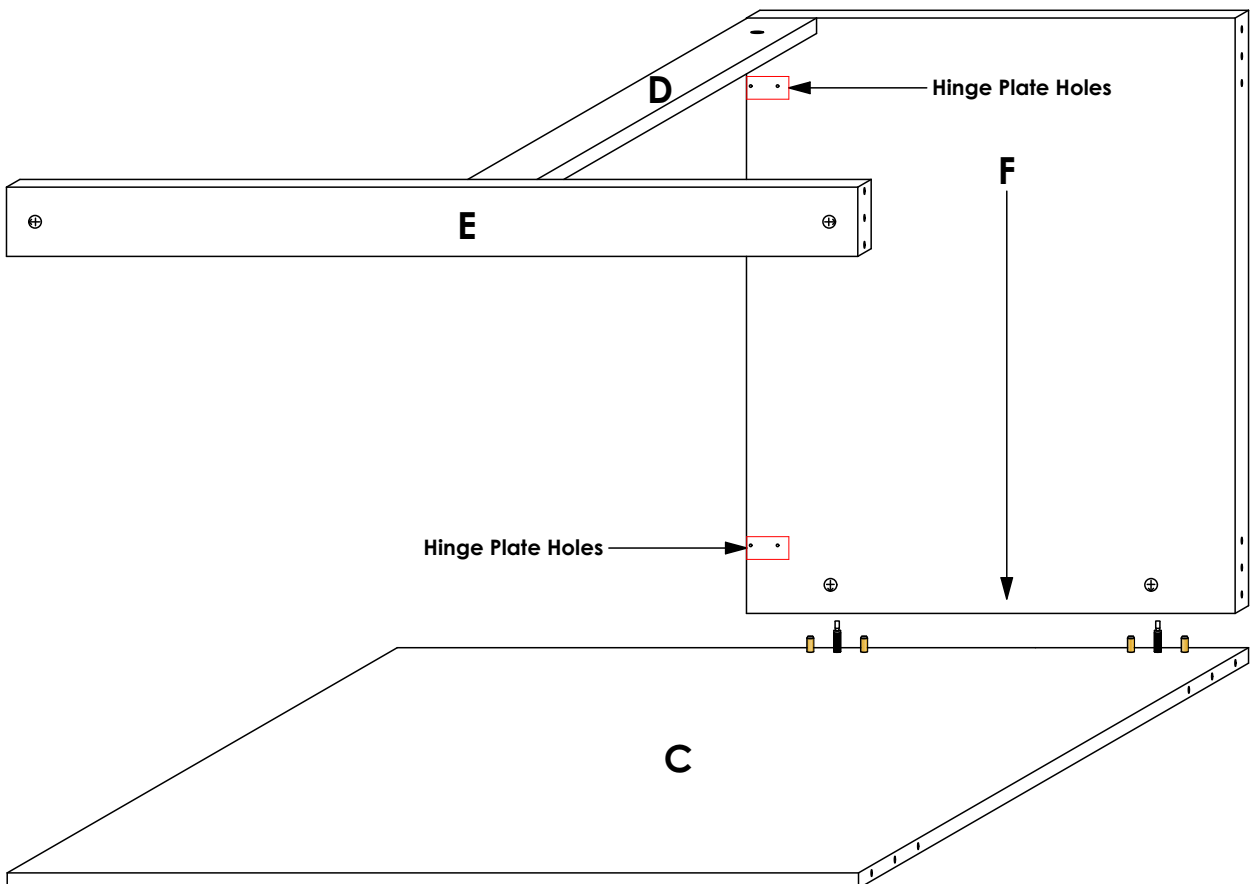


STEP 1



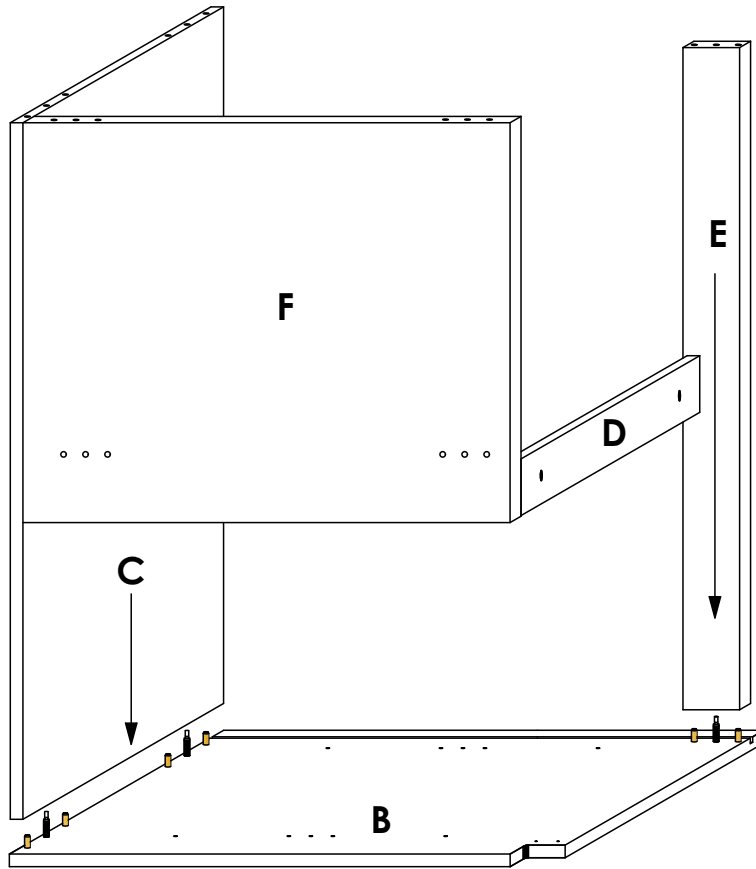
First, connect panel **D** to panel **F** as shown. After, connect panel **E** to panel **D**. Refer to the holes and/or grooves on the diagram to determine the panel orientation.

STEP 2



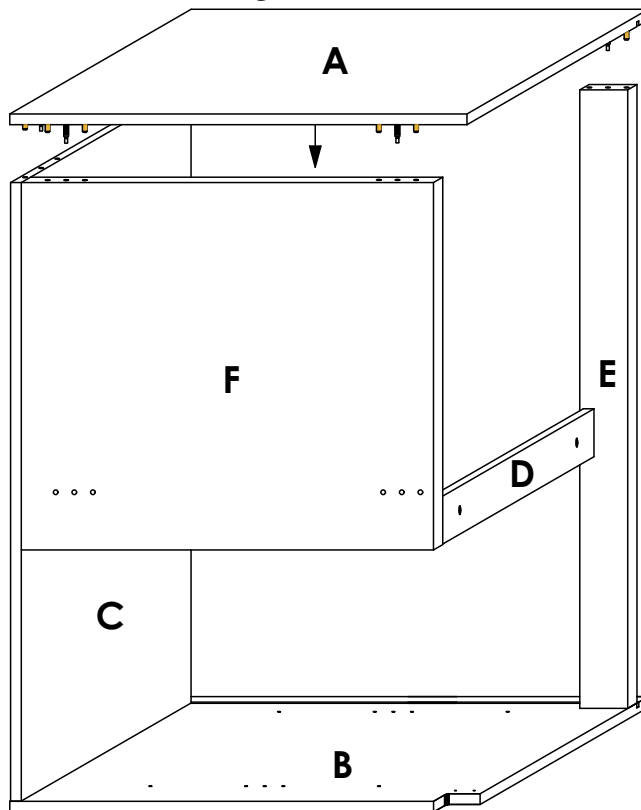
Connect panel **F** to panel **C** as shown. Refer to the holes and/or grooves on the diagram to determine the panel orientation.

STEP 3



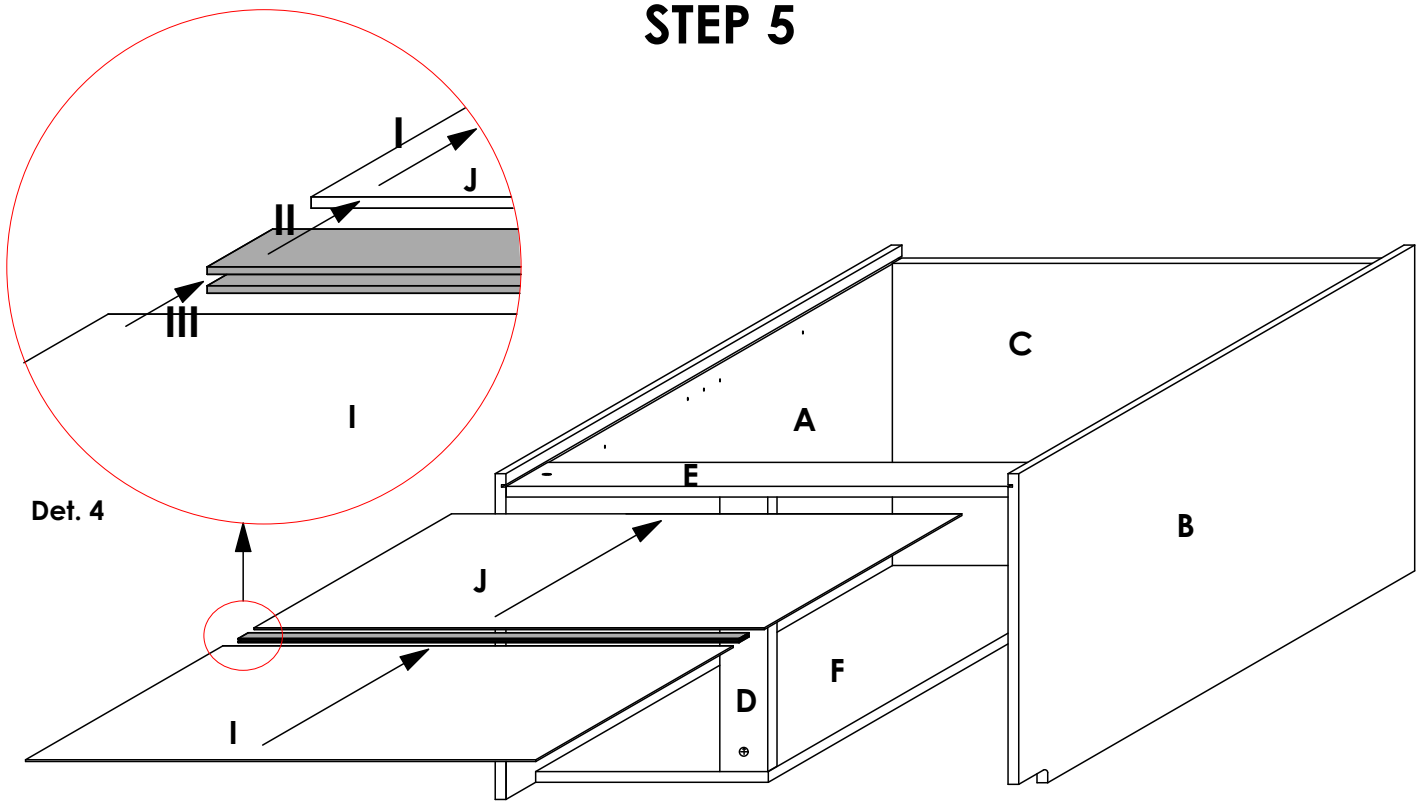
Connect panels **C & E** to panel **B** as shown. Refer to the holes and/or grooves on the diagram to determine the panel orientation.

STEP 4



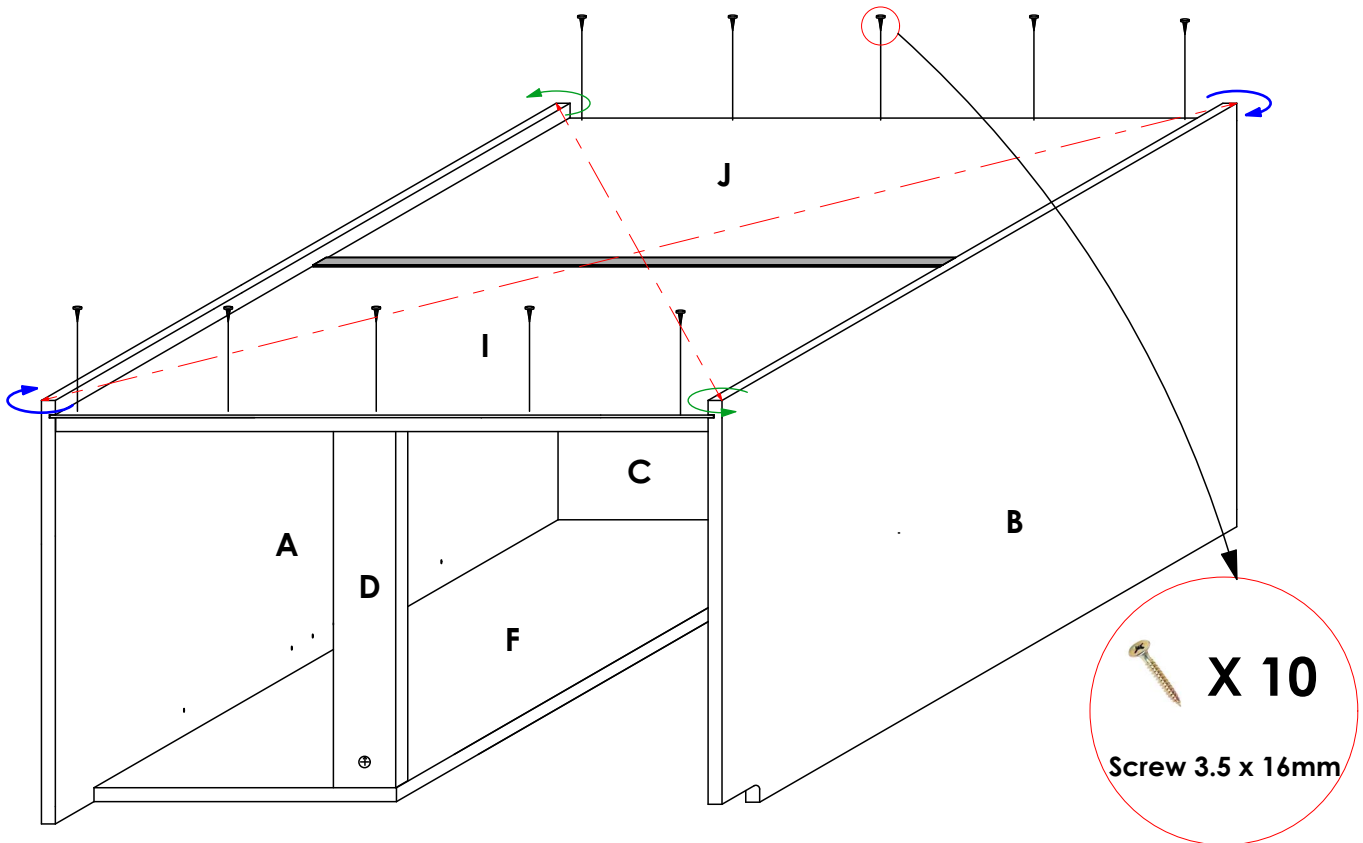
Connect panel **A** to panels **C, E & F** as shown. Refer to the holes and/or grooves on the diagram to determine the panel orientation.

STEP 5



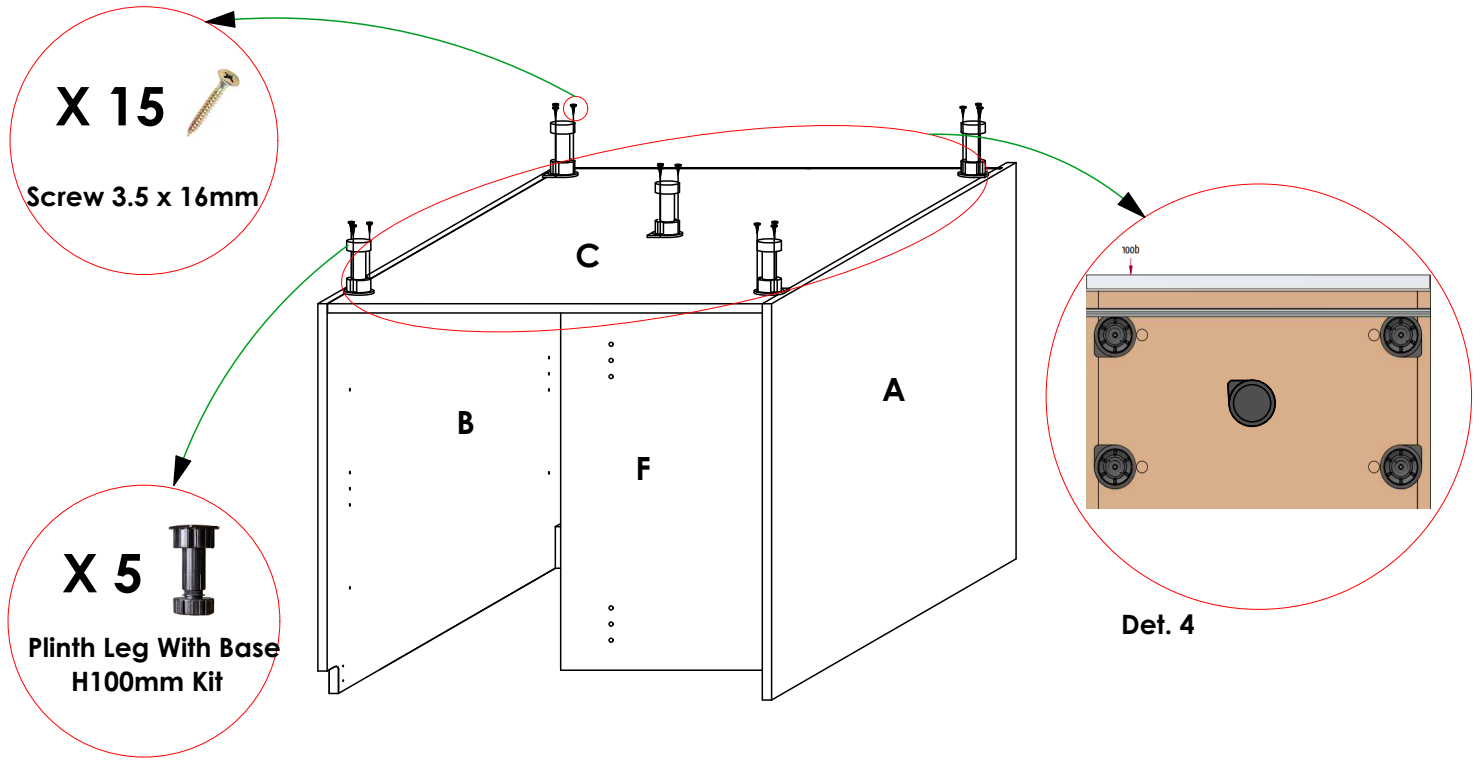
Slide 3mm panel **J** into the groove on panels **A & B** with the finished side facing inside the cabinet.
Next, insert the **H Profile Backer Connector** into panel **J** as shown (See **Det. 4**). To finish this step, slide 3mm panel **I** through the groove on panels **A & B** and into the **H Profile Backer Connector** as shown in **Det. 4**.

STEP 6



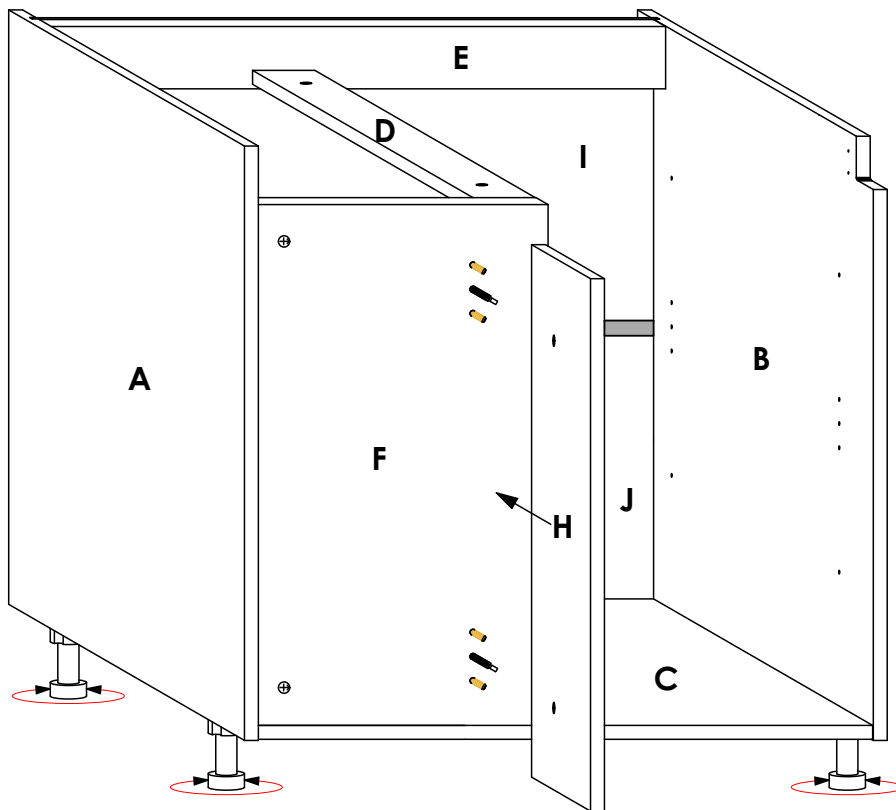
First, **check the diagonal** of the cabinet by measuring the two distances indicated by the broken lines. They should be equal. If not, twist the cabinet accordingly in the diagonal corners as shown until an equal value is achieved. After, secure panels **I & J** to panels **E & C** respectively as shown using **Screw 3.5 X 16mm**.

STEP 7



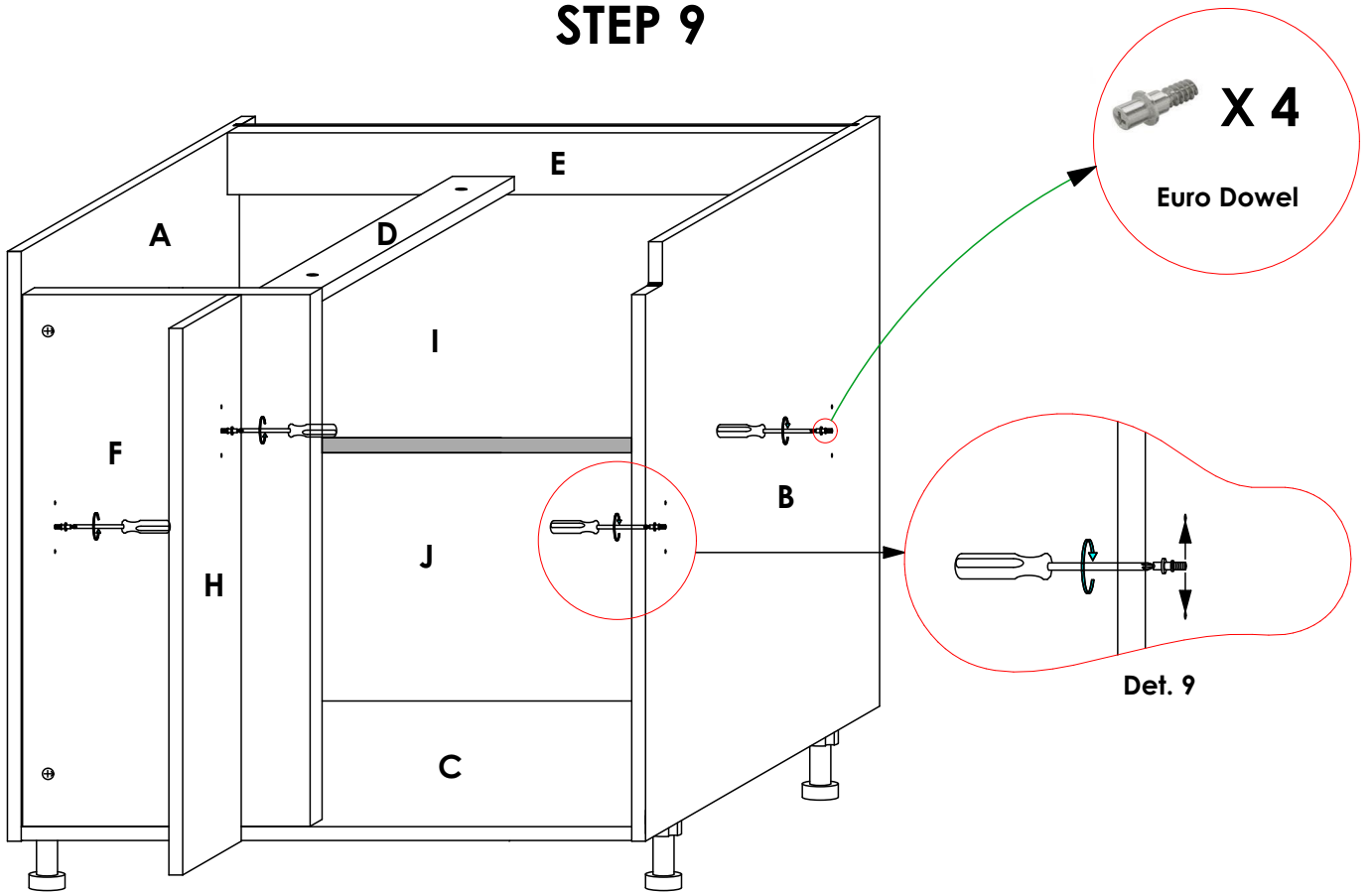
Flip the cabinet up-side down as shown. Place the five units of **Plinth Leg With Base** in the shown positions, aligning with the pre-drilled pilot holes on panel **C**. Ensure that the orientation is as shown in **Det. 4**. Using **Screw 3.5 X 16mm**, secure the legs onto panel **C**.

STEP 8



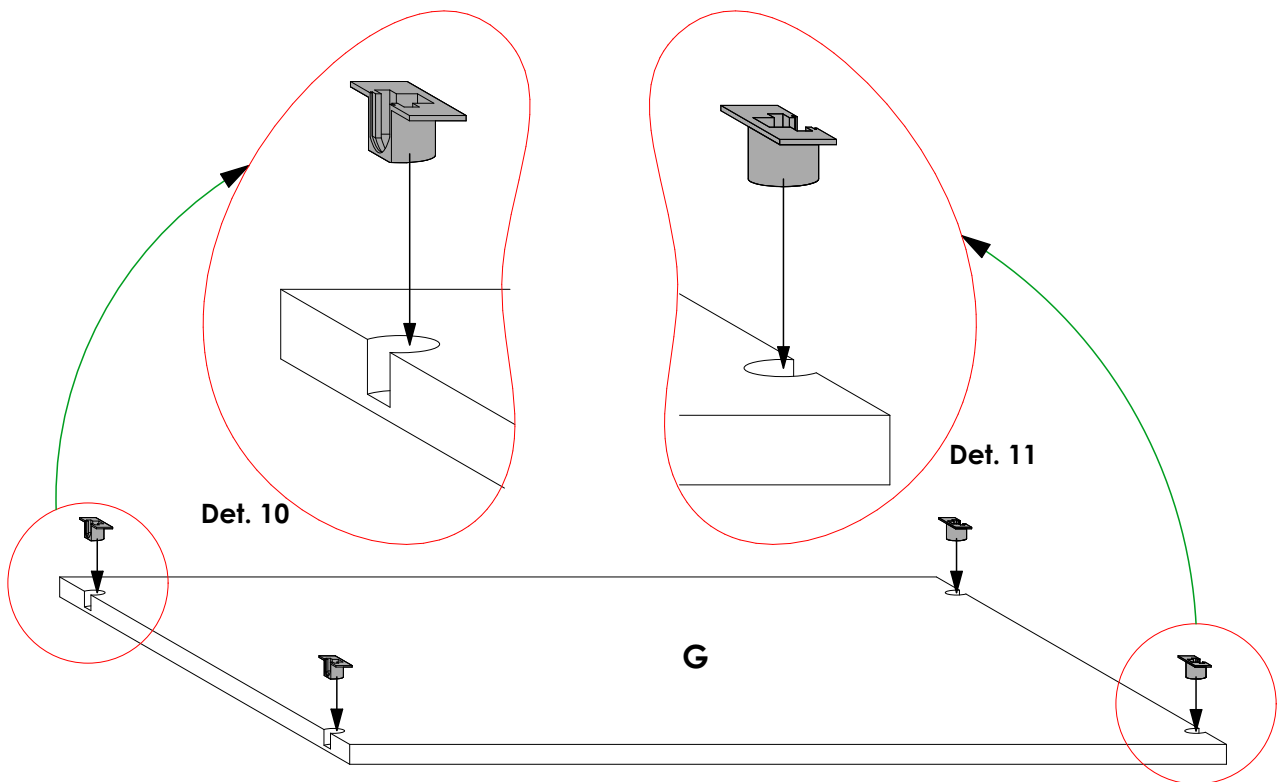
Connect panel **H** to panel **F** as shown. Refer to the holes and/or grooves on the diagram to determine the panel orientation. After, place the cabinet in the desired position and adjust its height by rotating the base of the legs as shown to level.

STEP 9



Screw in the **Euro Dowels** in the shown positions on panel **A** and panel **B**. Their positions can be adjusted as shown in **Det. 9** to change the level of the shelves or to slant the shelves.

STEP 10



Insert the **shelf supports** in the shown positions. Confirm that the orientation is as shown in **Det. 10** and **Det. 11**.

STEP 11

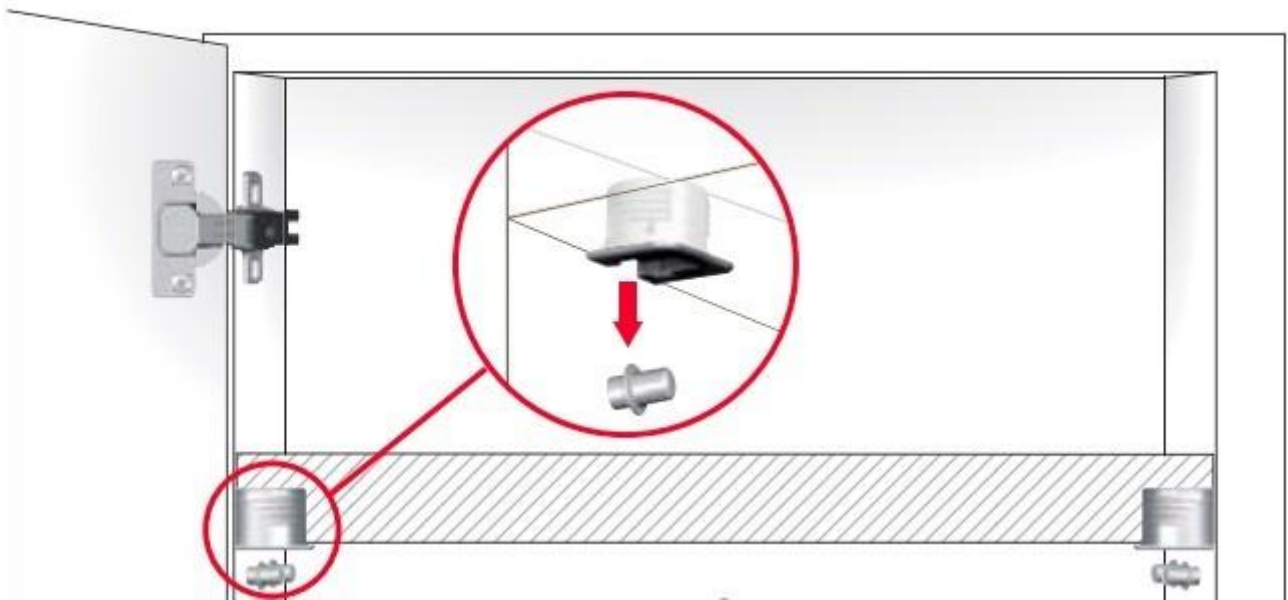
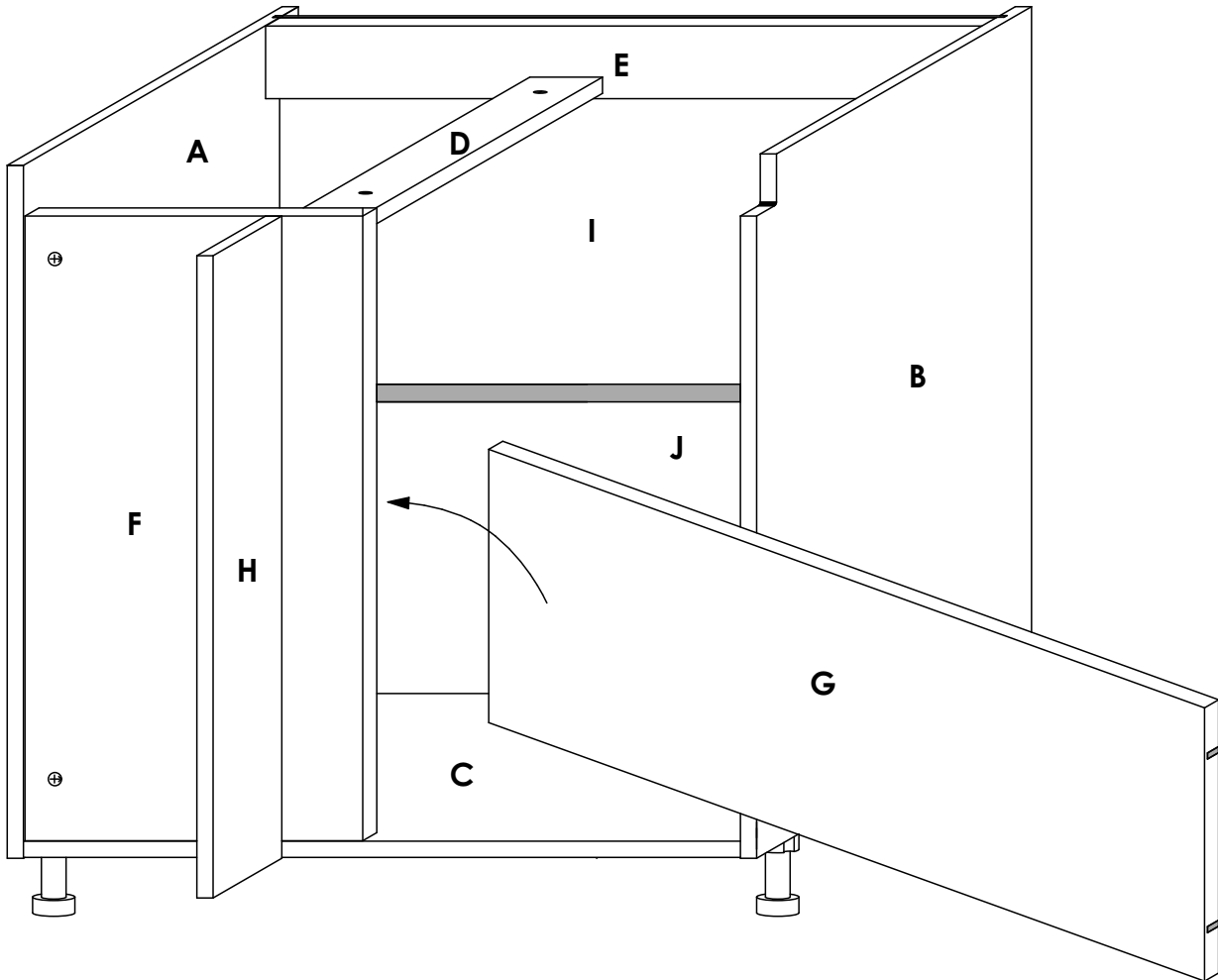


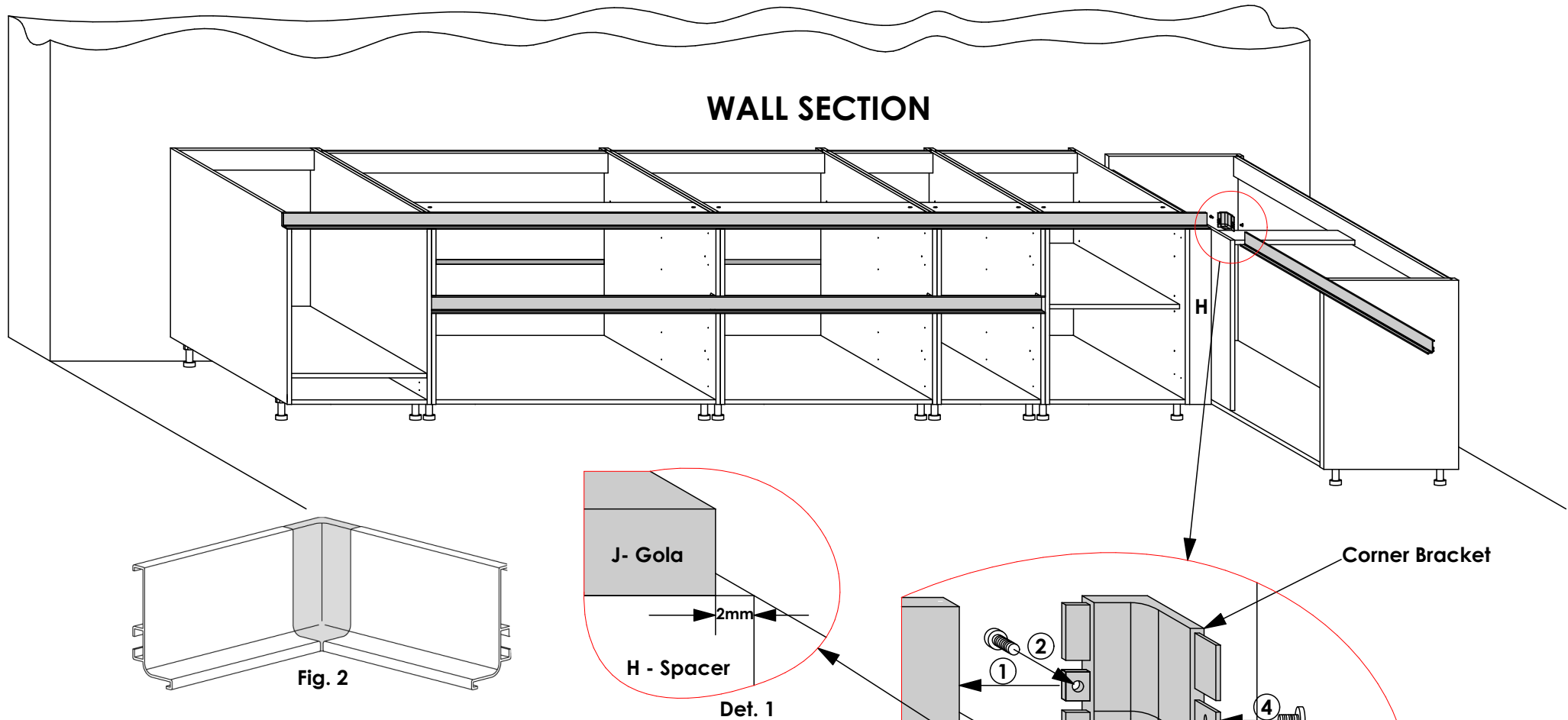
Fig. 1

1. Slide in the shelf (Panel **G**) above the euro dowels as shown. Slide it in until it touches the back.
2. Press down the shelf lightly such that the euro dowels snap into the shelf supports. See **Fig. 1**.

See the Door Installation guide for further instructions.

GOLA INSTALLATION GUIDE

GOLA INTERNAL CORNER



Refer to **Fig. 1** and **Det. 1**.

1. Ensure the Gola profile reaches the point shown in **Det. 1**. After, insert the **corner bracket** into the Gola profile as shown.
2. Once the bracket is all the way in, tighten one of the provided screws in the shown position.
3. Insert the Gola profile into the corner bracket as shown.
4. Once the Gola profile is all the way in, tighten one of the provided screws in the shown position.

See **Fig. 2**. for assembled corner.