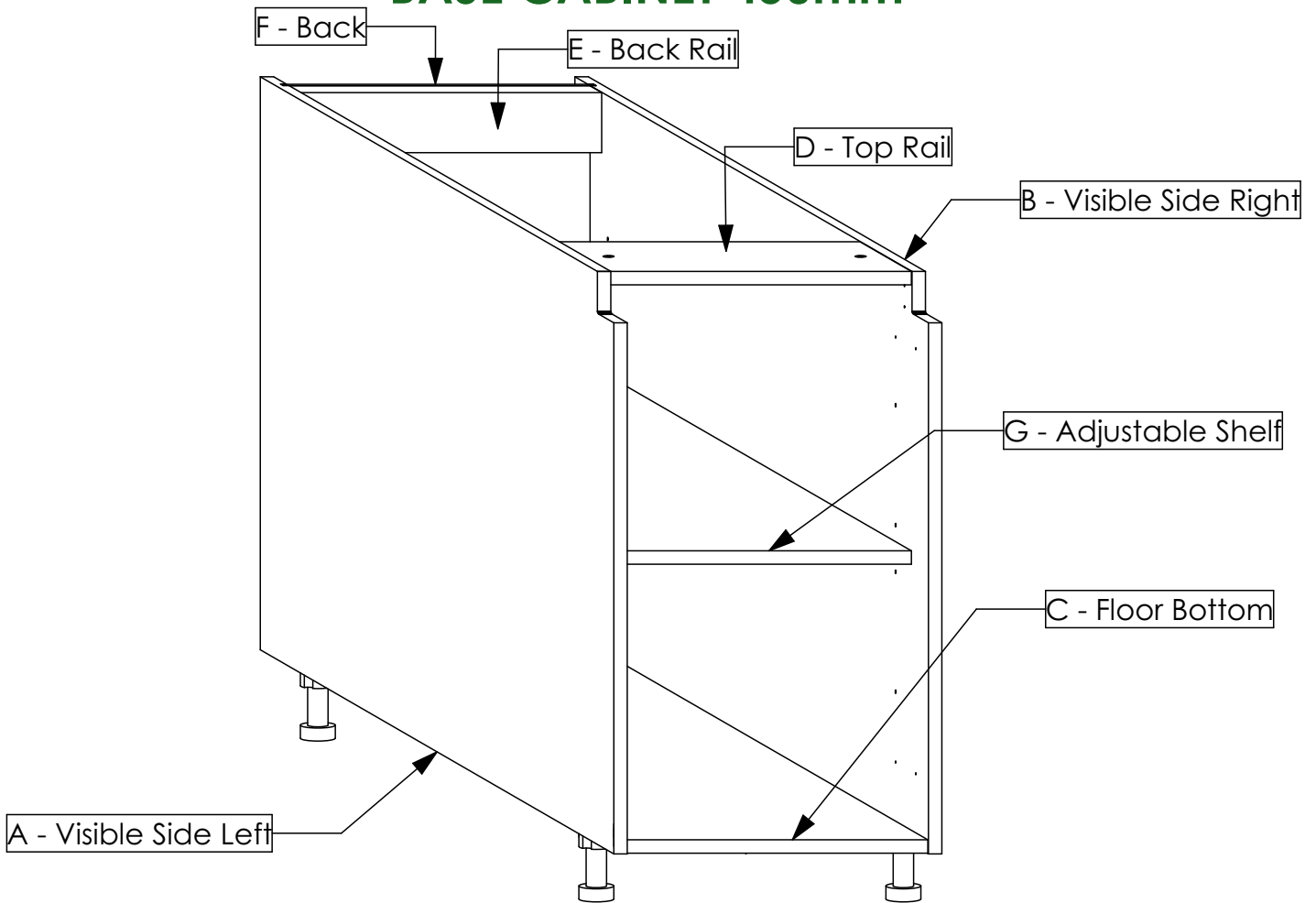


GOLA FLATPAX KITCHEN RANGE







ASSEMBLY GUIDE

BASE CABINET 450mm



TOTAL NUMBER OF PANELS: 7

HARDWARE

PRODUCT	QTY	IMAGE
Dufix	8	
Minifix	8	
Wooden Dowel	16	
Screw 3.5 x 16mm	18	
Plinth Leg With Base H100mm Kit	4	
Cabinet Connecting Screw Kit	4	
Shelf Support Flipper 14mm Kit	4	

TOOLS REQUIRED



Screw Driver
(Poizidriv Head)



Cordless Drill



Pozi Bit (PZ2)



8mm Drill Bit

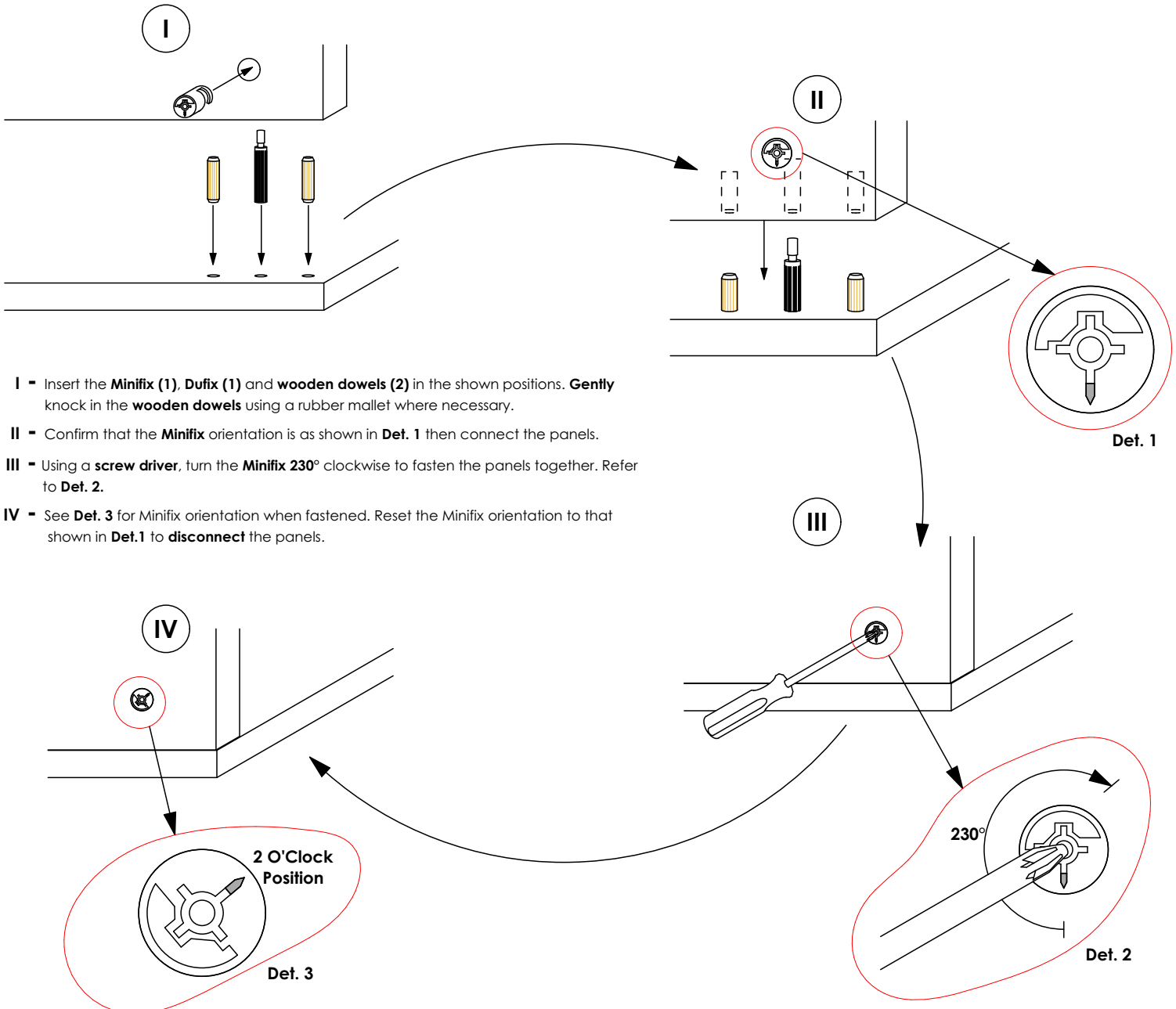


Rubber Mallet

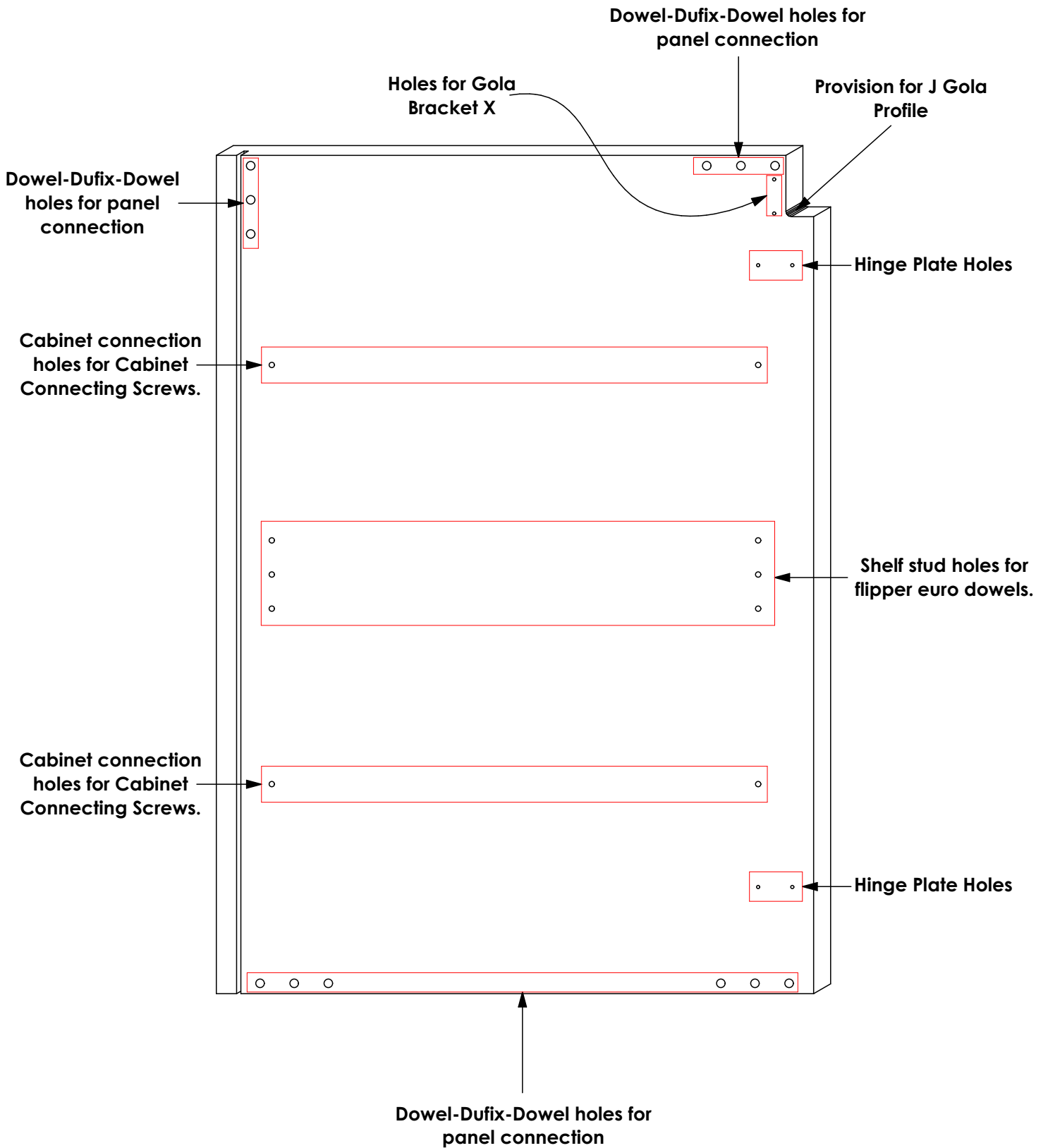
GENERAL INSTRUCTIONS

1. Confirm that all panels (7) are in the package before assembling.
2. Check the white sticker on each panel for the labelling (A, B, C, D, E, F & G).
3. Ensure that the panels are laid on a non-abrasive surface when assembling.
4. Note that all panel connections are done using the system described below.

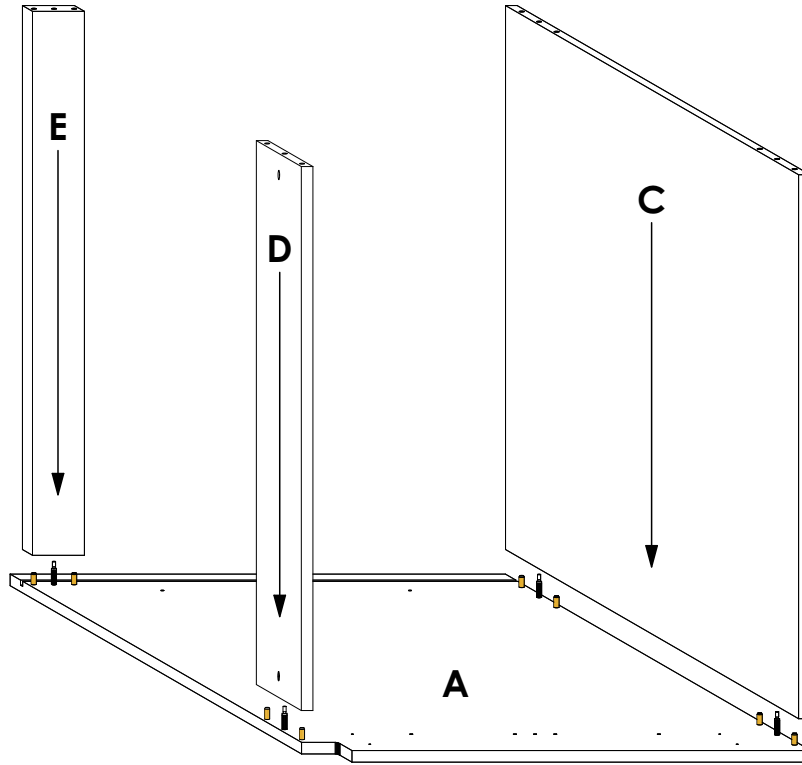
PANEL CONNECTION AND FASTENING



PILOT HOLES GUIDE FOR SIDE PANELS

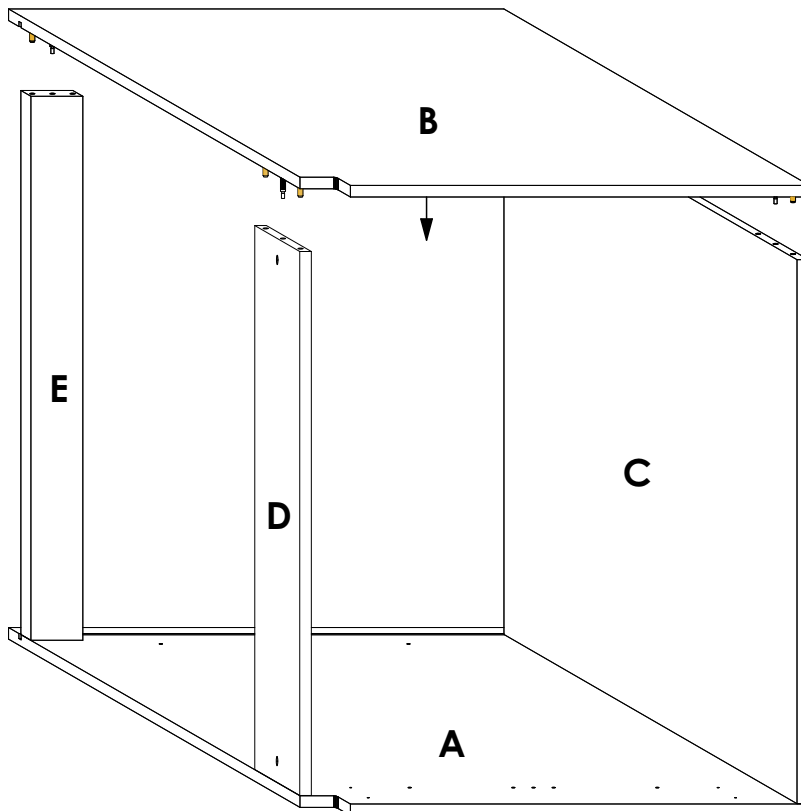


STEP 1



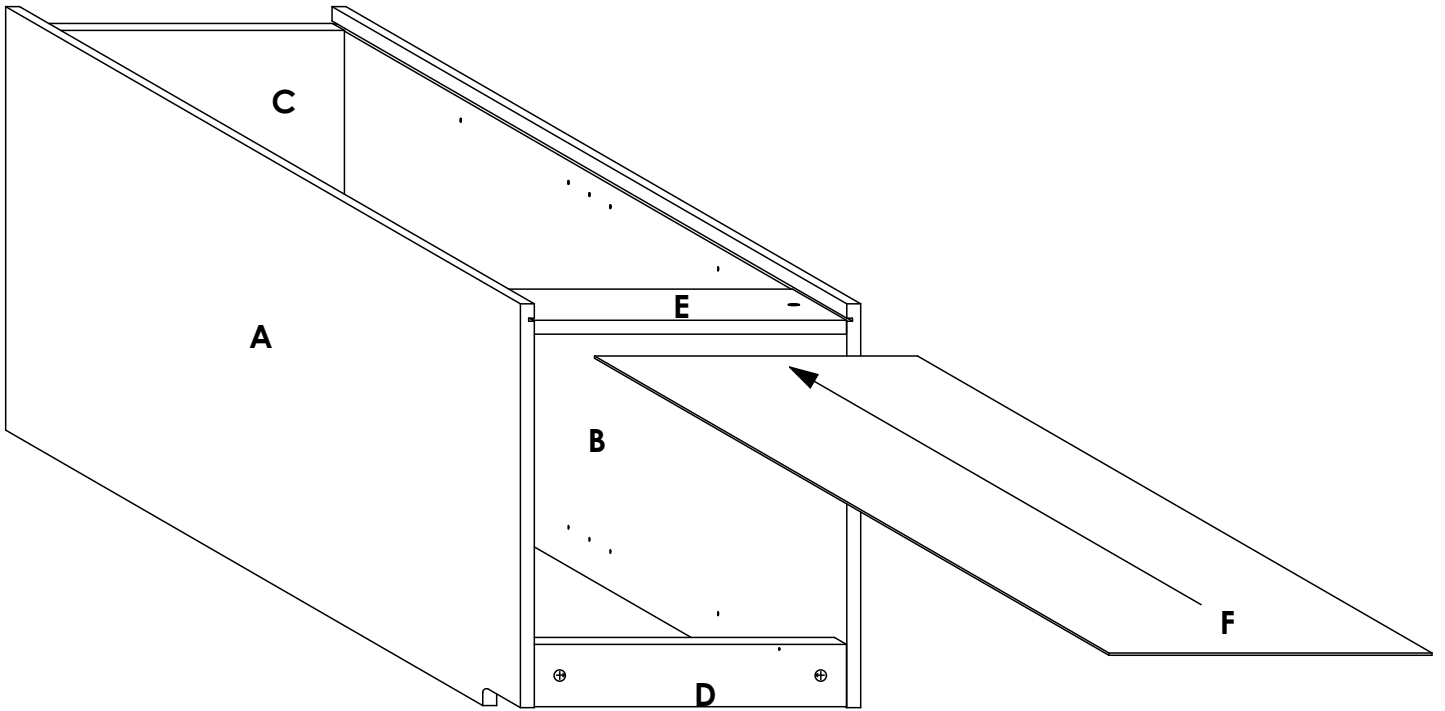
Connect panels **C, D & E** to panel **A** as shown. Refer to the holes and/or grooves on the diagram to determine the panel orientation.

STEP 2



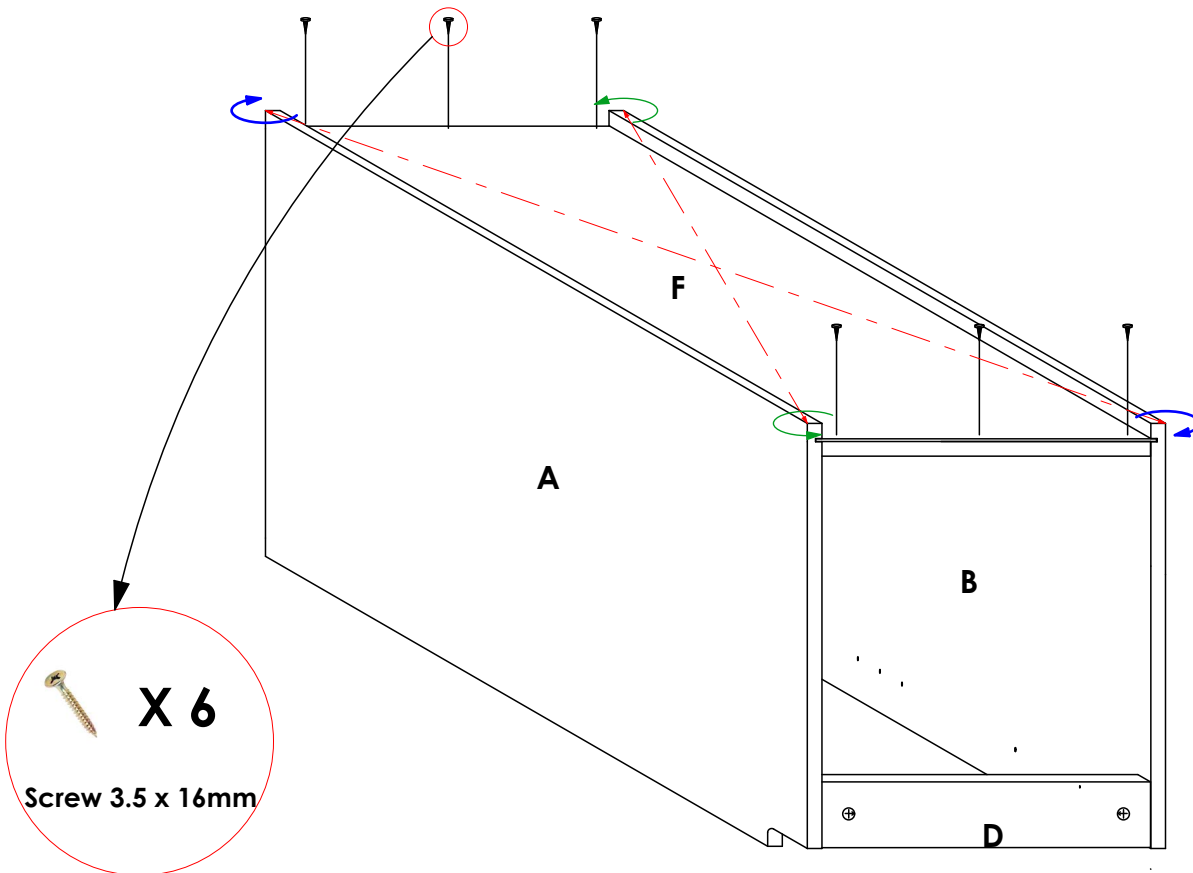
Connect panel **B** to panels **C, D & E** as shown. Refer to the holes and/or grooves on the diagram to determine the panel orientation.

STEP 3



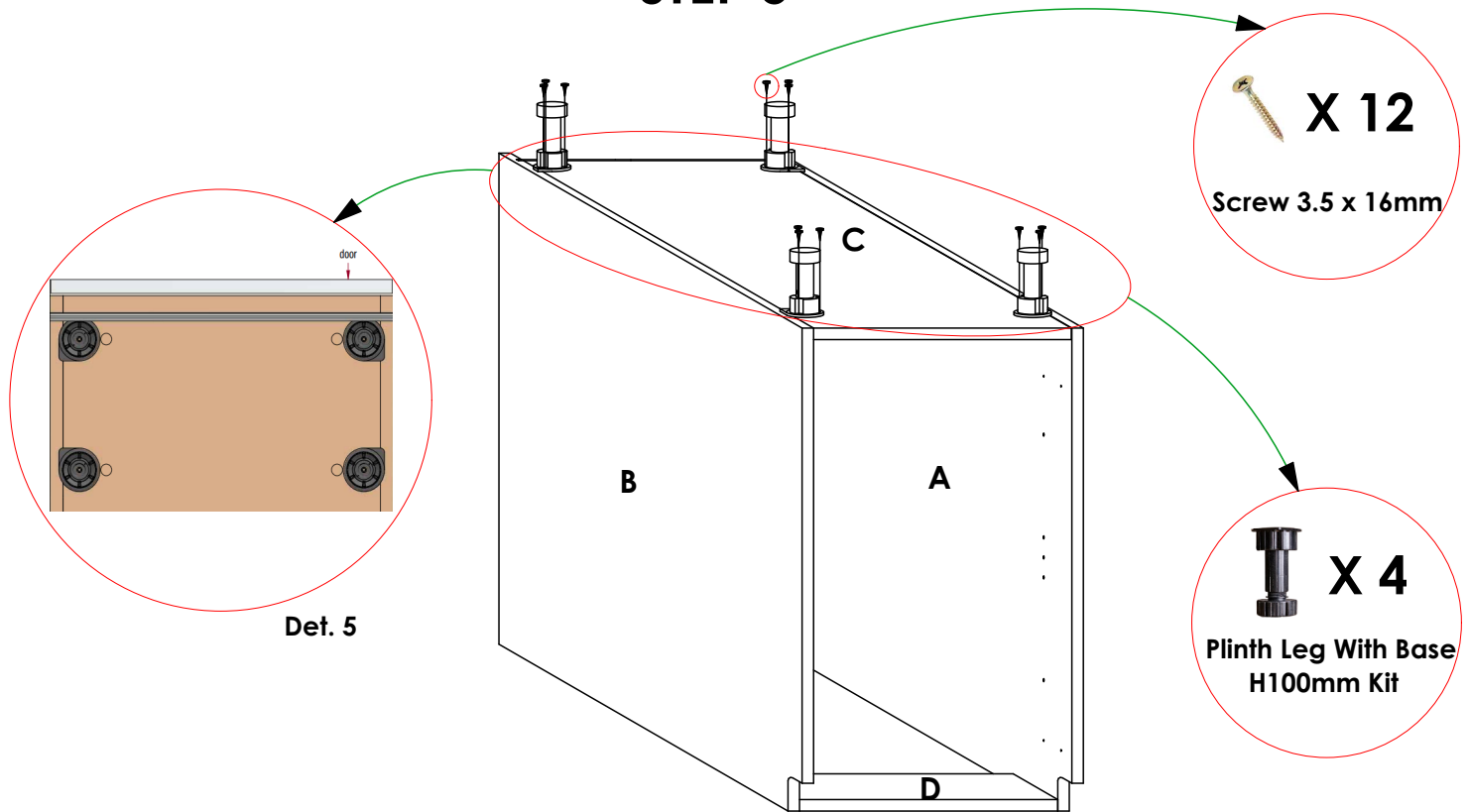
Slide the 3mm panel (F) into the groove on panels A & B with the finished side facing down. Refer to the holes and/or grooves on the diagram to determine the panel orientation.

STEP 4



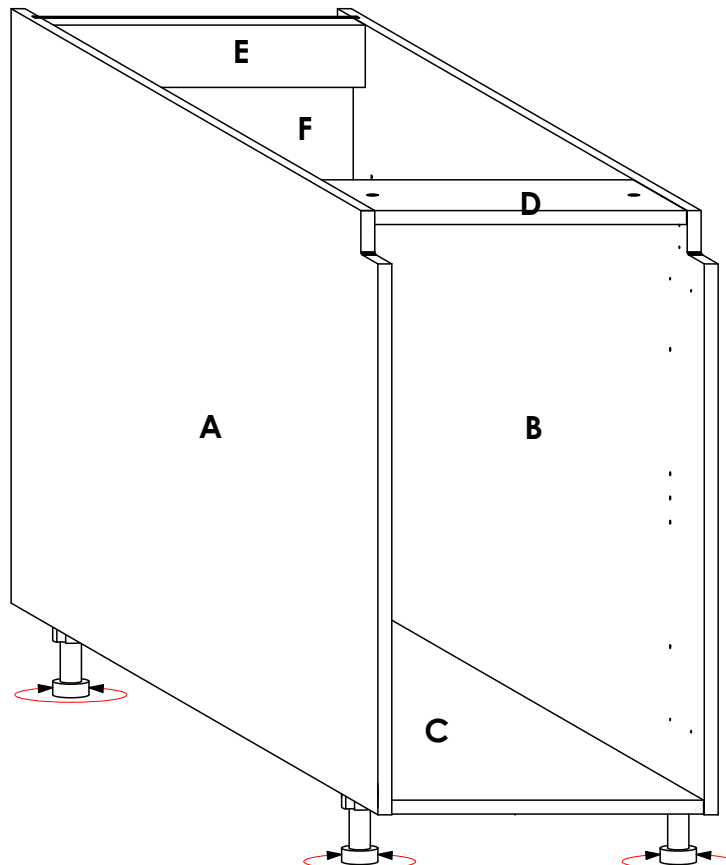
First, **check the diagonal** of the cabinet by measuring the two distances indicated by the broken lines. They should be equal. If not, twist the cabinet accordingly in the diagonal corners as shown until an equal value is achieved. After, secure panel F to panels E & C as shown using **Screw 3.5 X 16mm**.

STEP 5



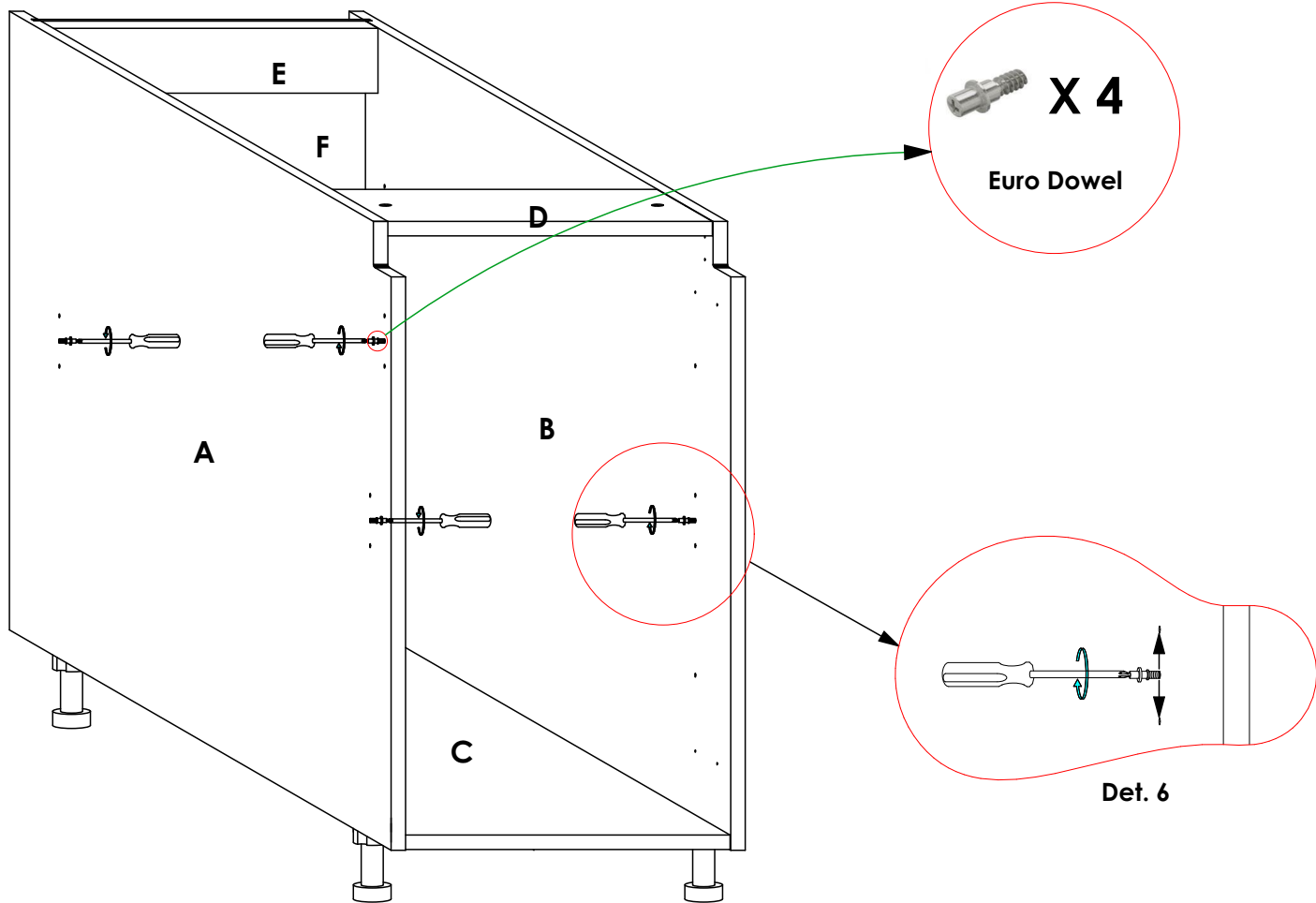
Flip the cabinet up-side down as shown. Place the four units of **Plinth Leg With Base** in the shown positions, aligning with the pre-drilled pilot holes on panel **C**. Ensure that the orientation is as shown in **Det. 5**. Using **Screw 3.5 X 16mm**, secure the legs onto panel **C**.

STEP 6



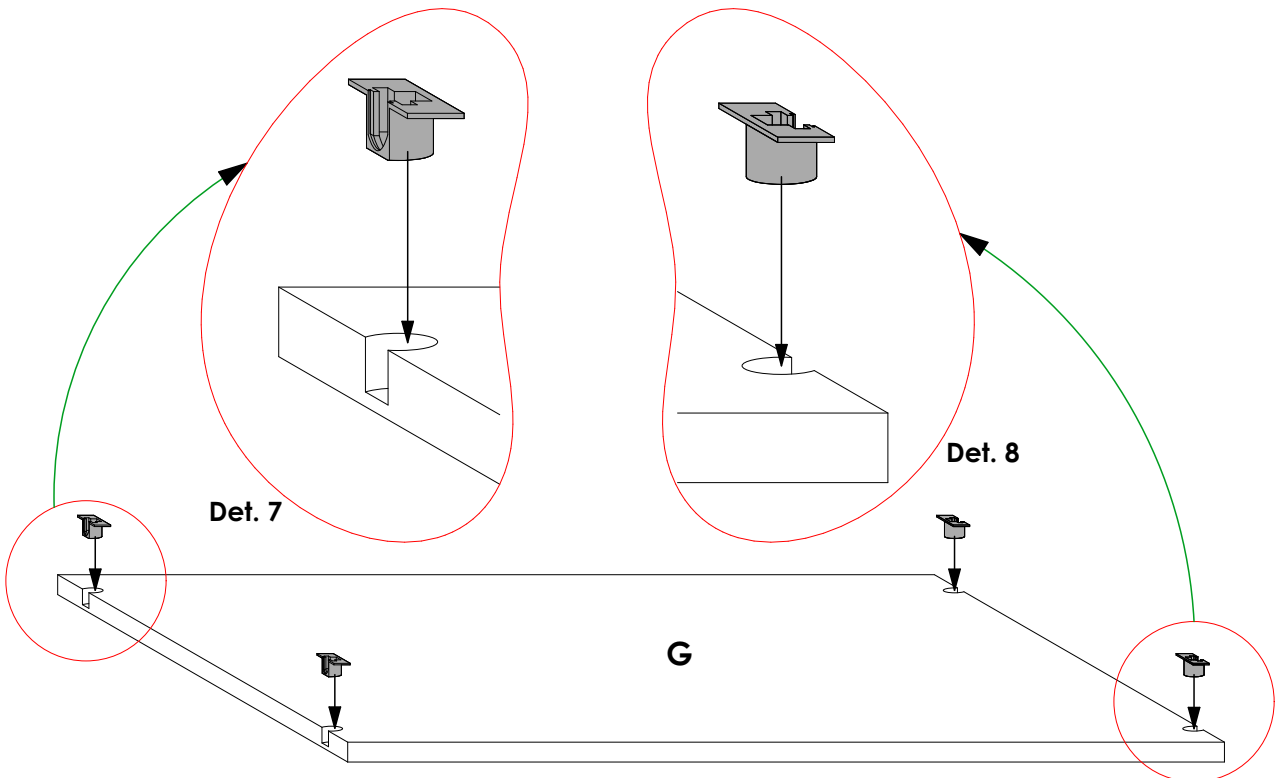
Flip the cabinet upright, place it in the desired position and adjust its height by rotating the base of the legs as shown to level.

STEP 7



Screw in the **Euro Dowels** in the shown positions. Their positions can be adjusted as shown in **Det. 6** to change the level of the shelves or to slant the shelves.

STEP 8



Insert the **shelf supports** in the shown positions. Confirm that the orientation is as shown in **Det. 7** and **Det. 8**.

STEP 9

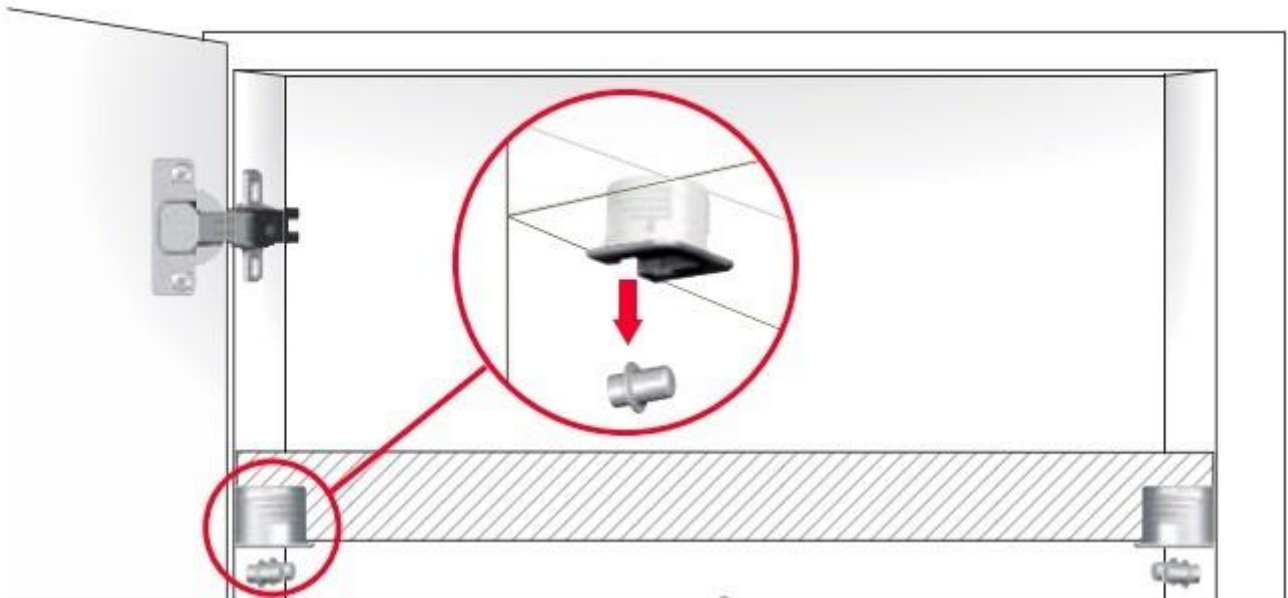
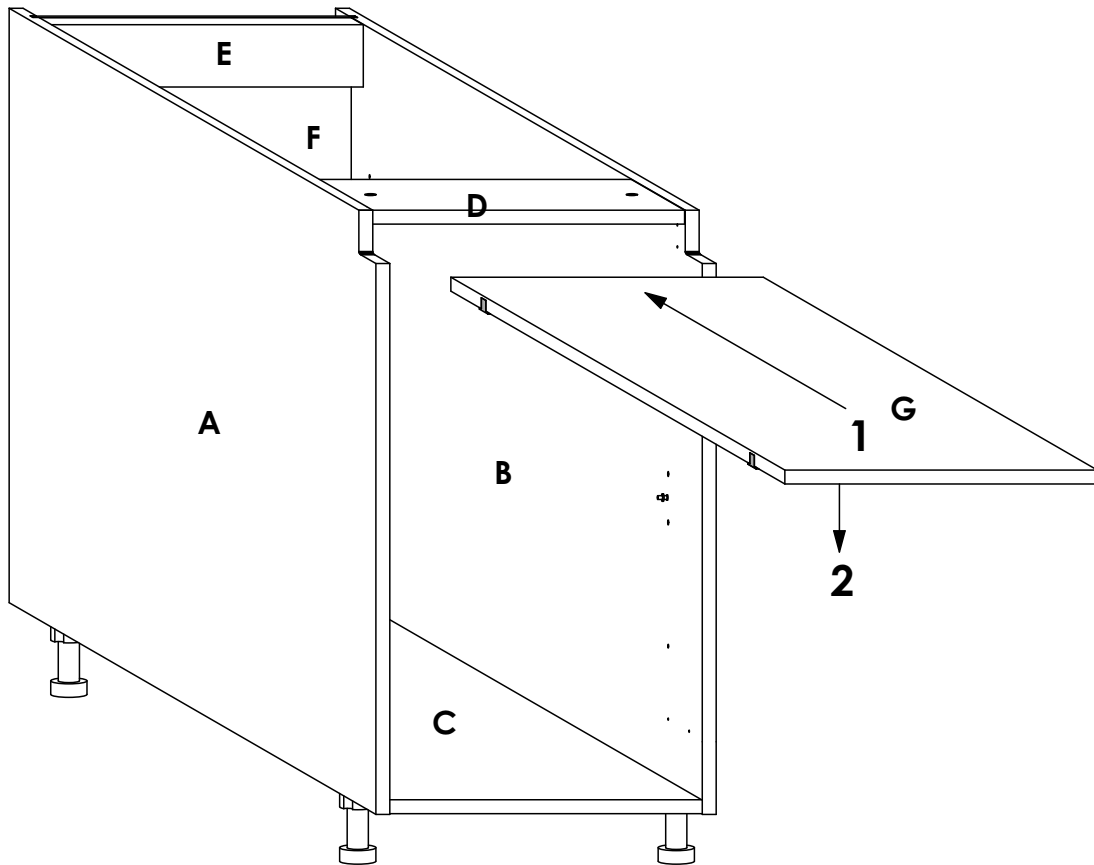


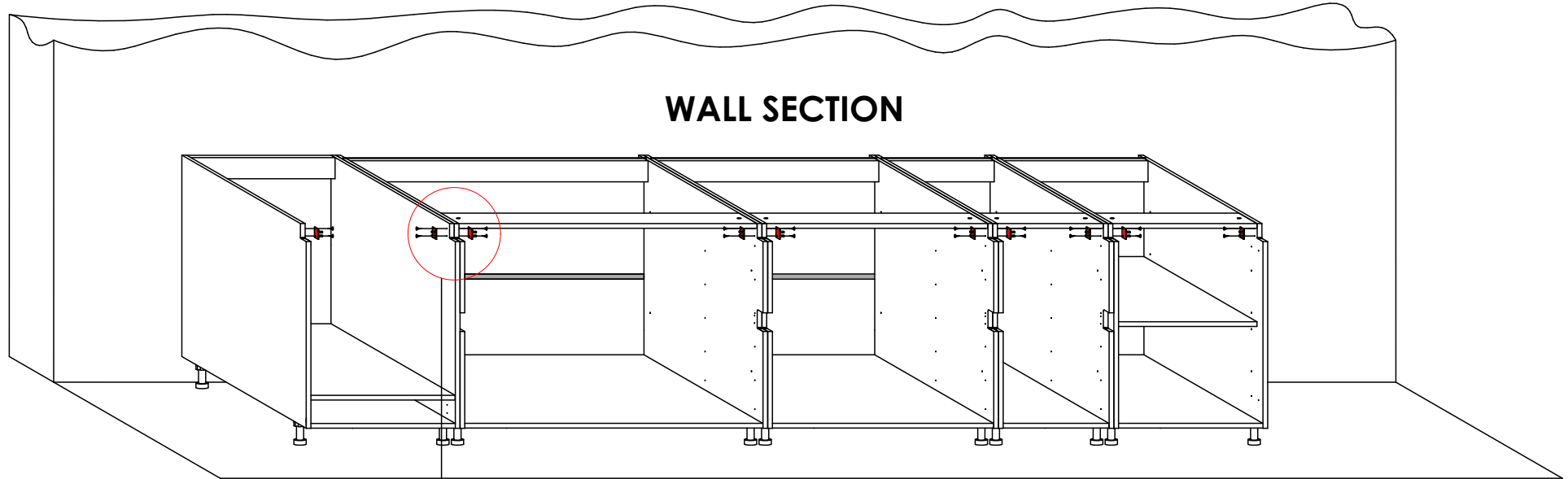
Fig. 1

1. Slide in the shelf (Panel **G**) above the euro dowels as shown. Slide it in until it touches the back.
2. Press down the shelf lightly such that the **euro dowels** snap into the **shelf supports**. See **Fig. 1**.

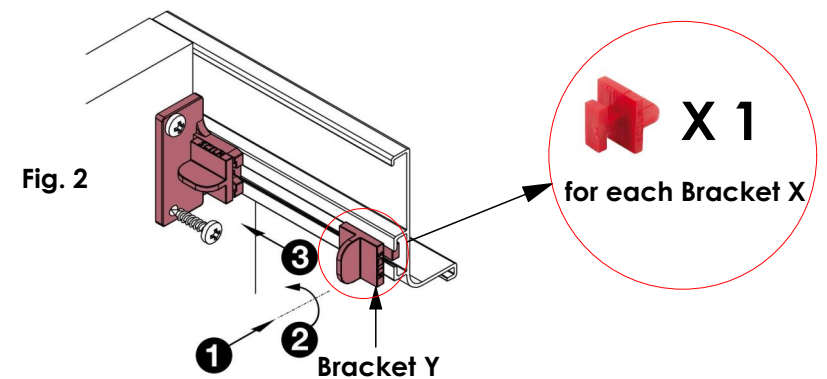
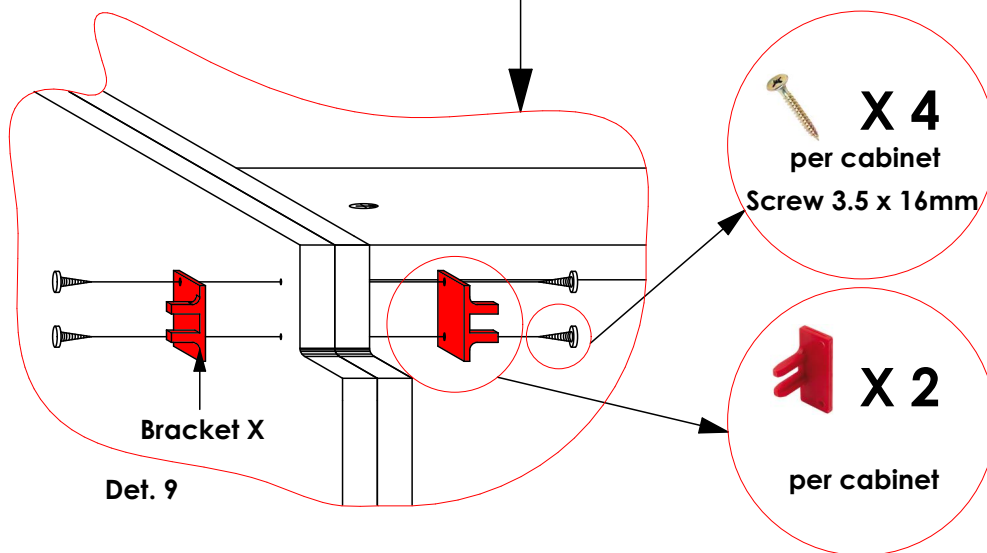
See the Door Installation guide for further instructions.

GOLA INSTALLATION GUIDE

J - GOLA



WALL SECTION



1. Place the J - Gola Profile on the provided notch as shown. Insert **Bracket Y** in the channel on the backside of the Gola Profile. See **Fig. 2**.
2. Turn **Bracket Y** 90° as shown. See **Fig. 2**.
3. Slide **Bracket Y** onto **Bracket X** as shown. See **Fig. 2**.

Once the cabinets are placed, connected and levelled, connect the shown **Brackets X** on panels **A & B** as shown using **Screw 3.5 x 16mm**. Use the pre-drilled pilot holes to align the brackets. See **Def. 9**.

See the Door Installation guide for further instructions.