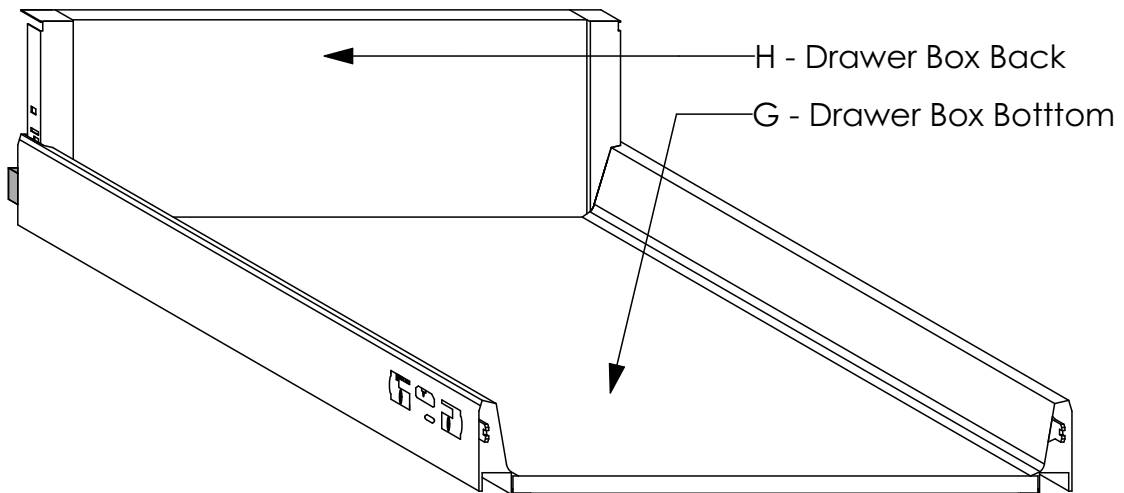




# BLUM FLATPAX KITCHEN RANGE ASSEMBLY GUIDE

## TANDEMBOX ANTARO DRAWER BOX HEIGHT 3

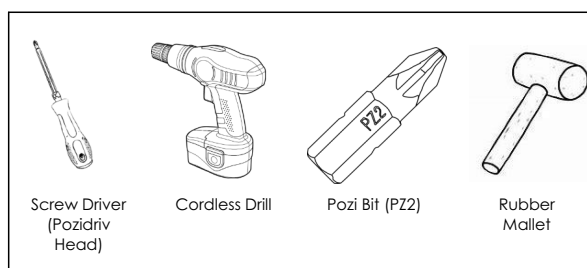


**TOTAL NUMBER OF PANELS: 2**

### HARDWARE

PRODUCT	QTY	IMAGE
Tandembox Antaro Back Fixing Bracket Left/Right	1 Pair	
Tandembox Antaro Drawer Sides Left/Right	1 Pair	
Screw 3.5 x 16mm	30	
Tandembox Antaro Front Fixing Bracket	2	
Tandembox Antaro Runners Left/Right	1 Pair	
Blum Cover Cap for Drawer Sides	2	
Longside Gallery Rail Left/Right	1 Pair	

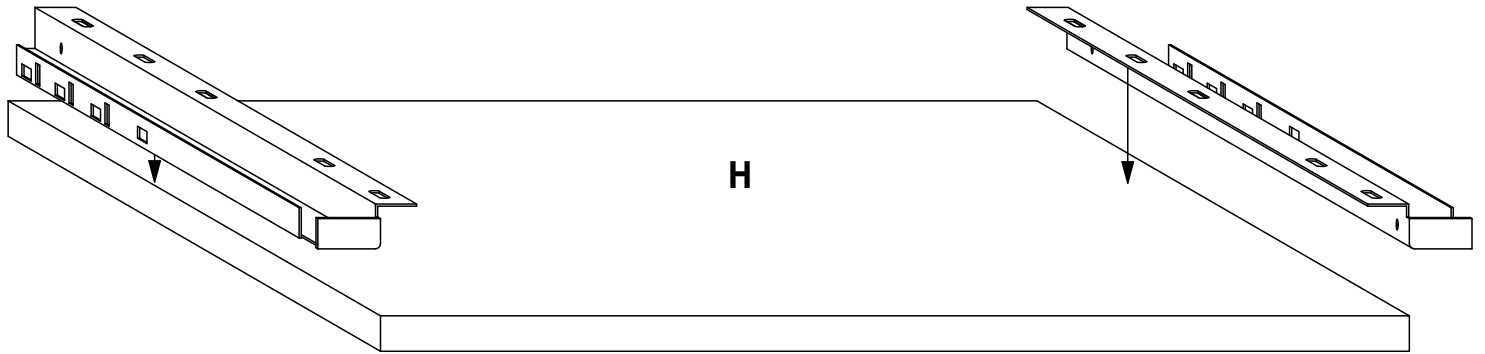
### TOOLS REQUIRED



### GENERAL INSTRUCTIONS

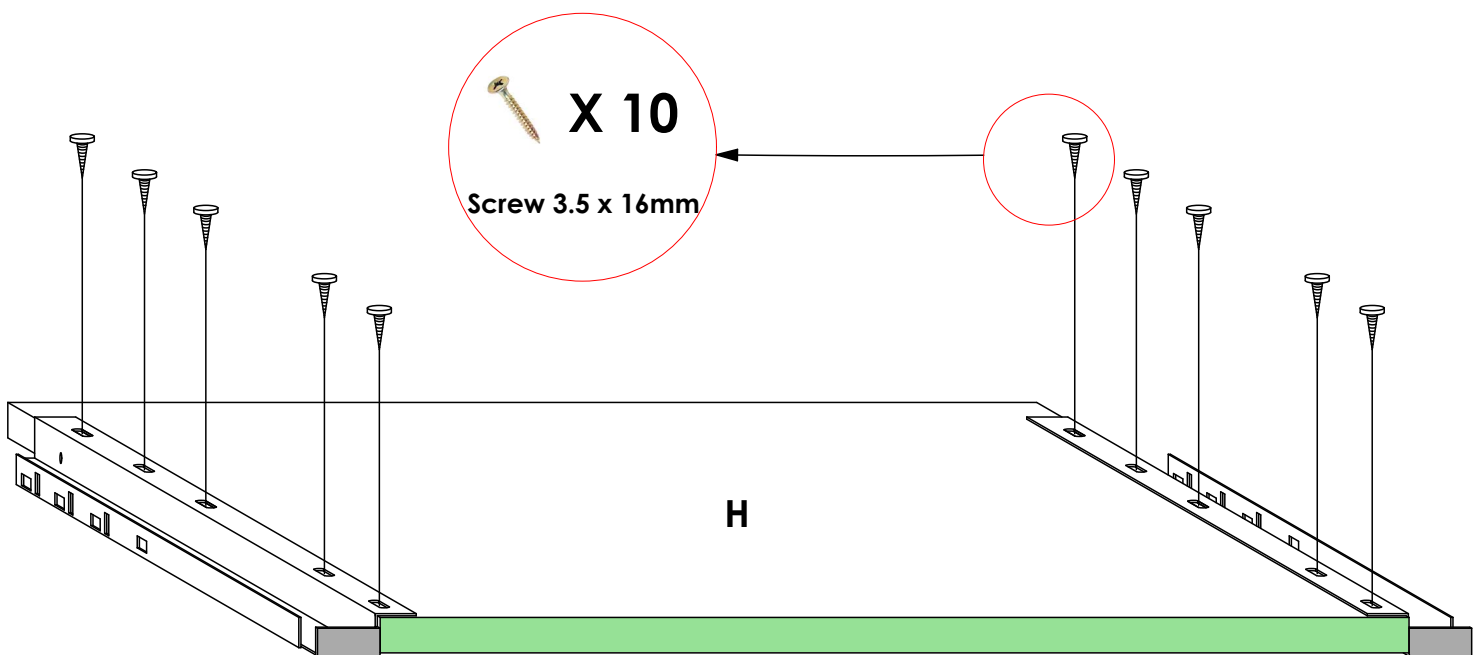
1. Confirm that all panels (2) and hardware are in the package before assembling.
2. Check the white sticker on each panel for the labelling (G & H).
3. Ensure that the panels are laid on a non-abrasive surface when assembling.

# STEP 1



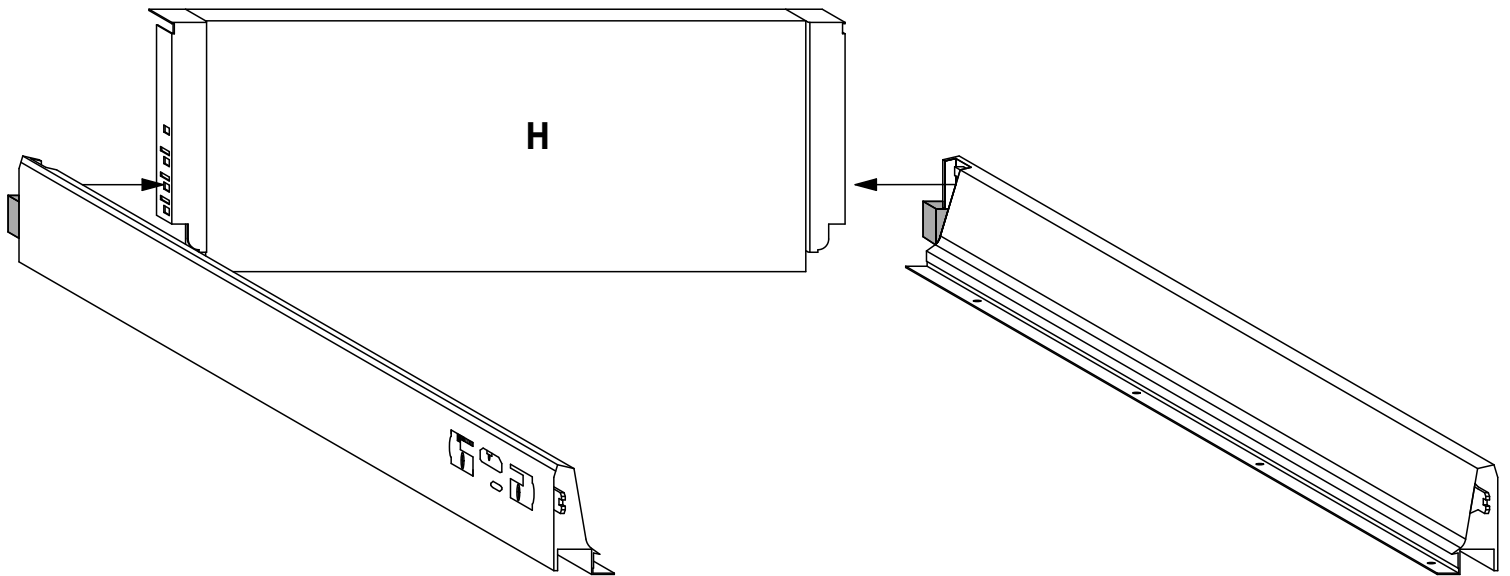
Place the Back Fixing Brackets in the shown positions on Panel **H**.

# STEP 2



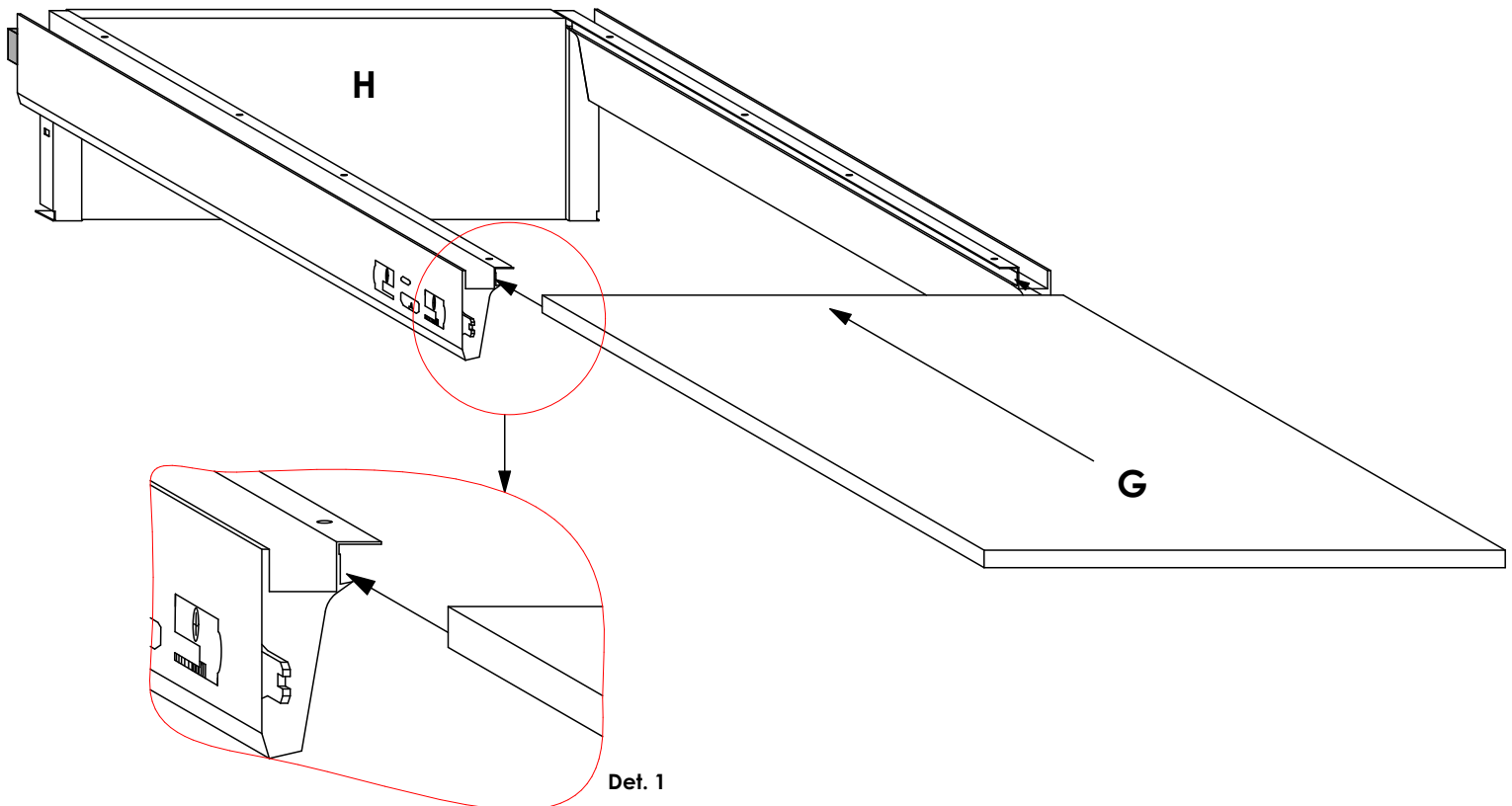
First, confirm that the shaded areas are **flush** with each other. Then, Secure the **Back Fixing Brackets** onto panel **H** using **screw 3.5 x 16** in the shown positions.

## STEP 3



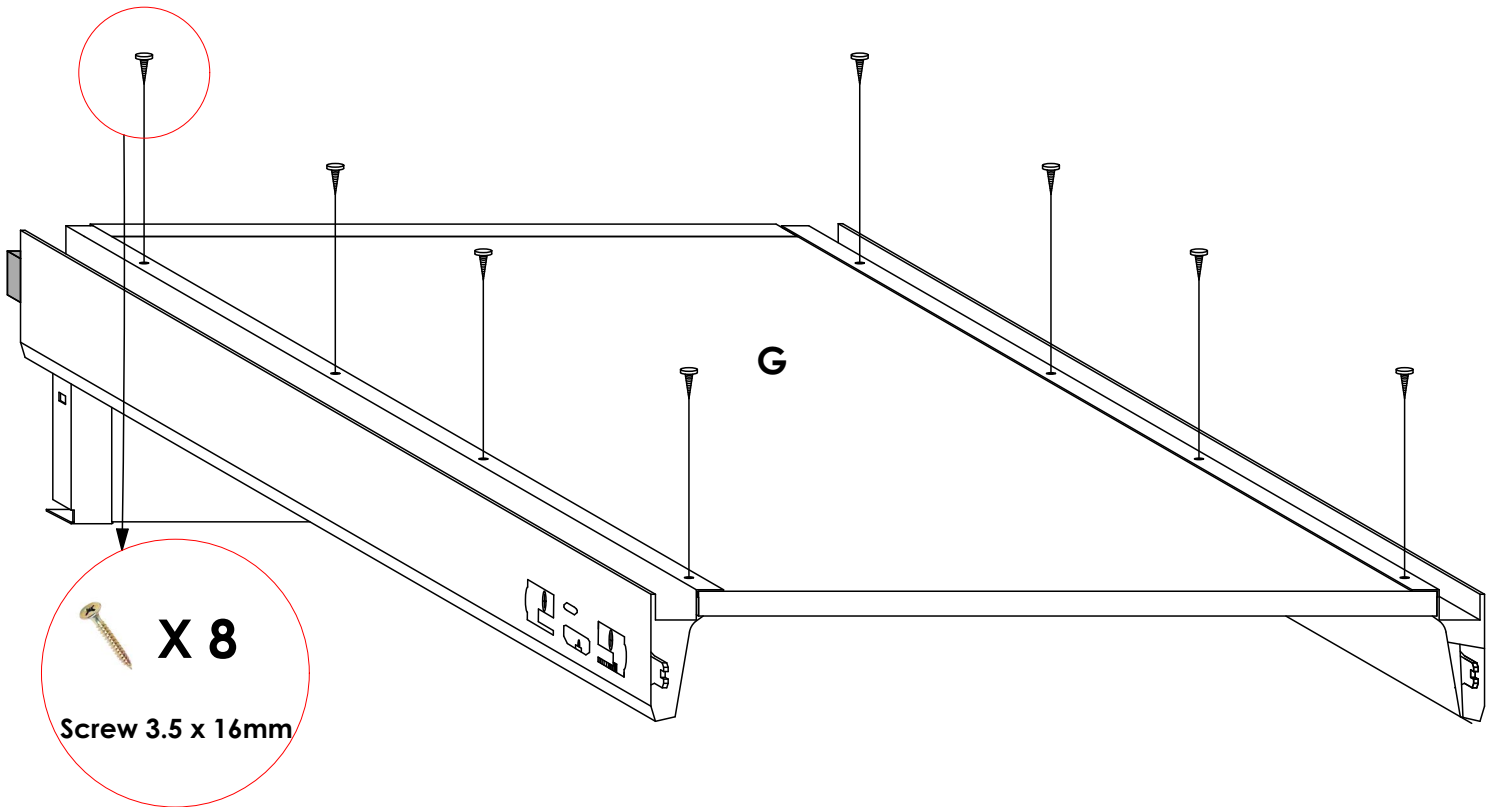
Connect the **Antaro Drawer Sides** with panel **H** as shown. Do this by snapping the **Back Fixing plates** into the **protrusions** at the back of the **Antaro Drawer Sides**.

## STEP 4



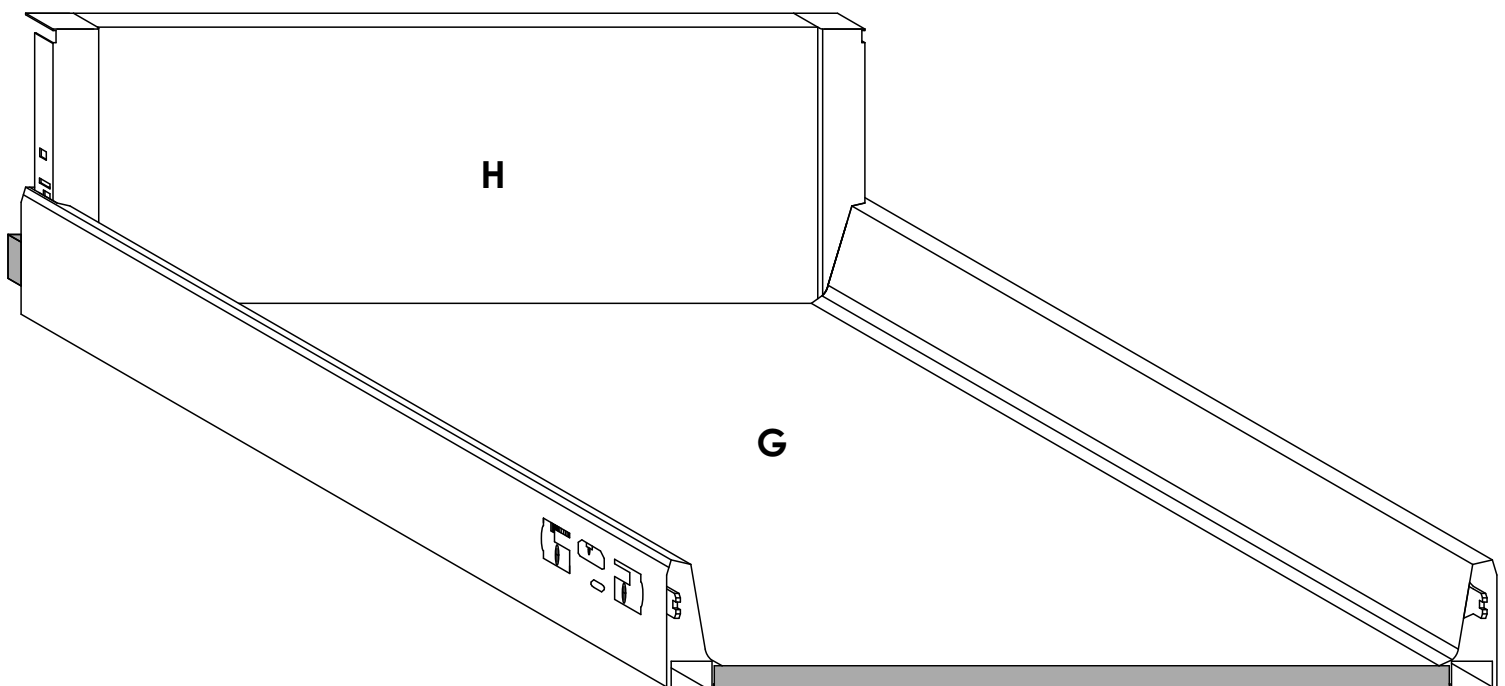
Slide in panel **G** into the Antaro Drawer Sides Until it hits panel **H**. Refer to **Det. 1**.

## STEP 5



Using **Screw 3.5 x 16mm**, secure panel **G** in the shown positions.

## STEP 6



Confirm that the shaded edge on panel **G** is **flush** with the **front** of the **Antaro Drawer Sides**. If not, loosen the screws securing it and adjust accordingly.

# STEP 7

**T6**

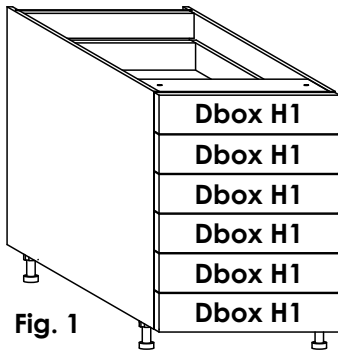
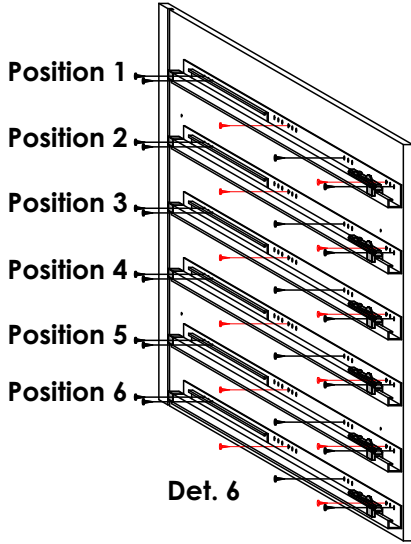


Fig. 1

**T123**

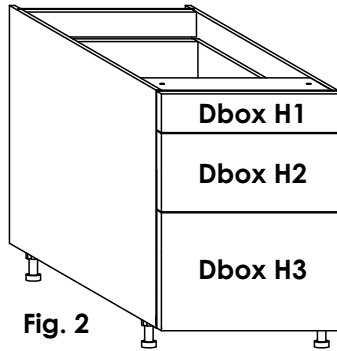
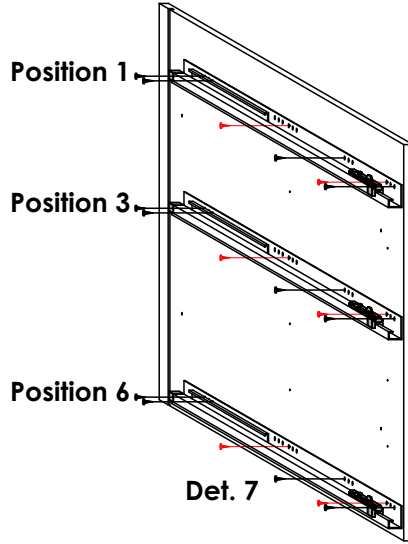


Fig. 2

**T222**

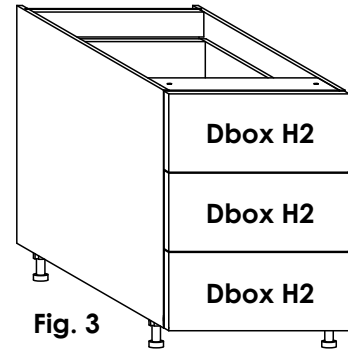
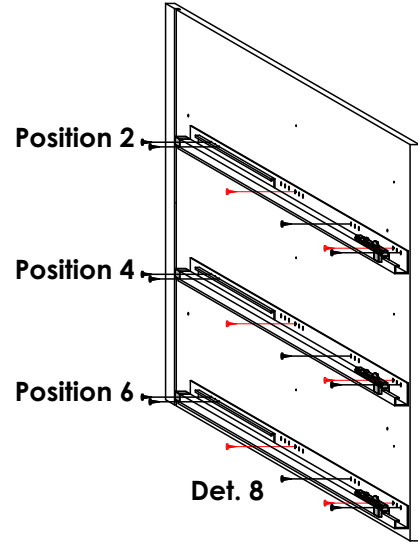


Fig. 3

**T33**

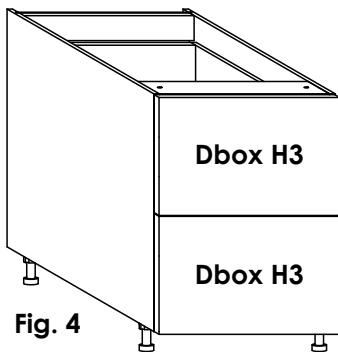
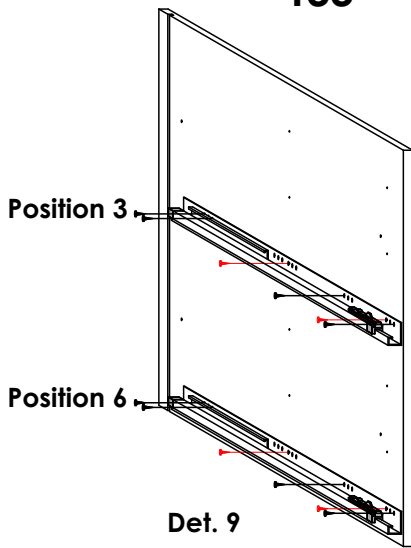


Fig. 4

**T24**

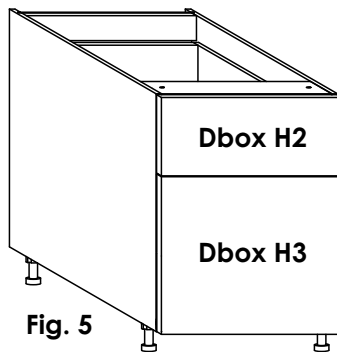
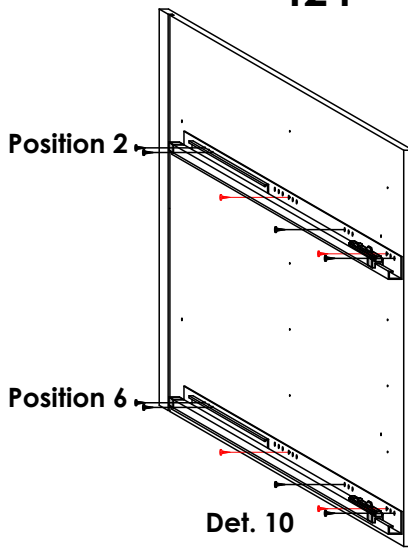


Fig. 5

**T15**

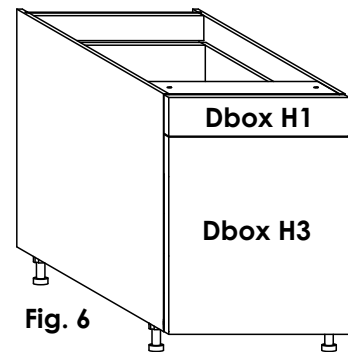
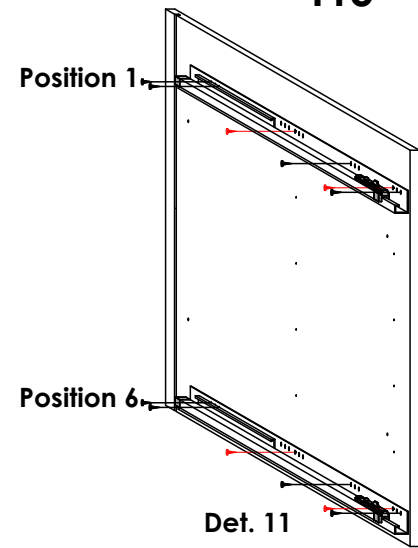
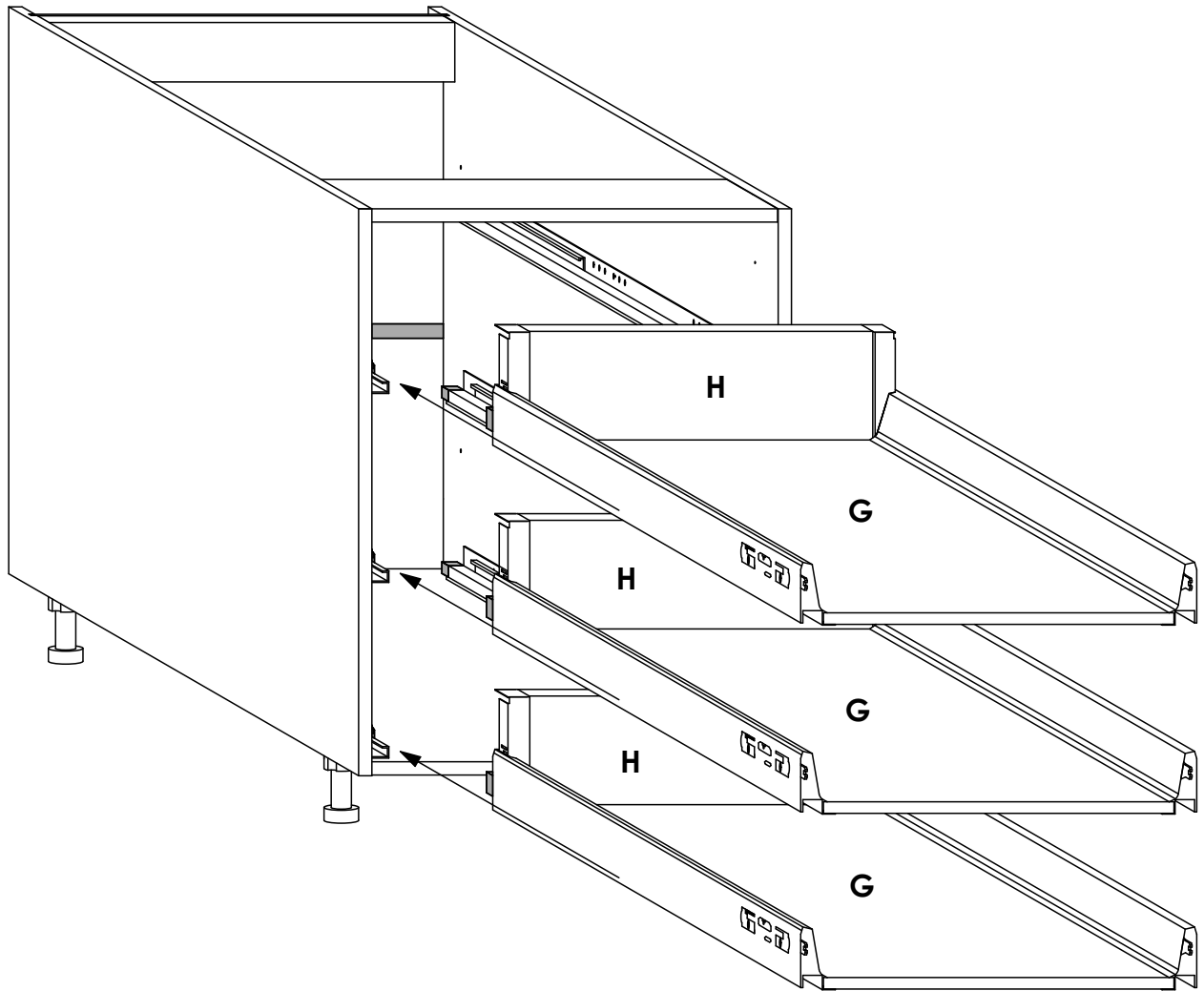


Fig. 6

Using **Screw 3.5 x 16mm**, connect the **Antaro Runners** to **Panels A & B** of the **Drawer Cabinets**. Confirm the desired configuration from **Fig. 1-6** and connect the runners in the corresponding positions shown in **Det. 6-11**. The screws shown in **red** align with pre-drilled pilot holes. After fastening in the two screws in aligning positions, use four more screws to reinforce the runners as shown. Also, from **fig. 1-6**, note the **specific Antaro Drawer Box Heights** that go into each configuration.

## STEP 8



Slide in the Drawer Boxes all the way in with the Antaro Drawer Sides sitting on the Antaro Runners. See the Doors and Dummy Panels Installation guides for further instructions (Drawer Front and Gallery Rails Installation).